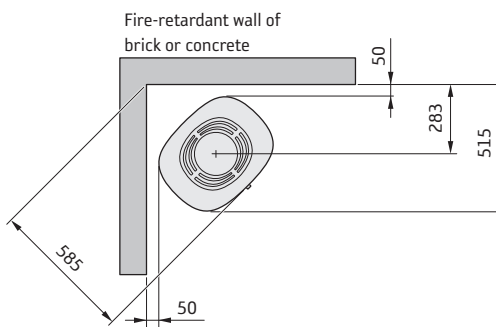
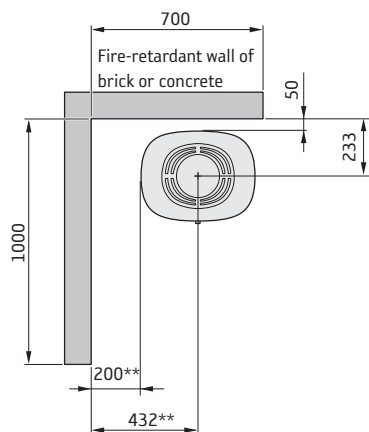
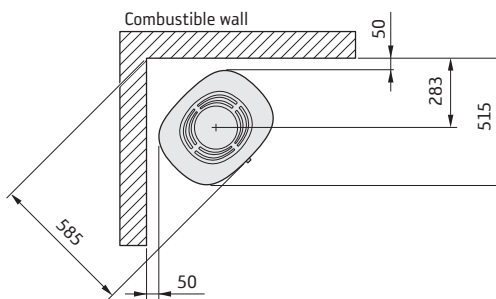
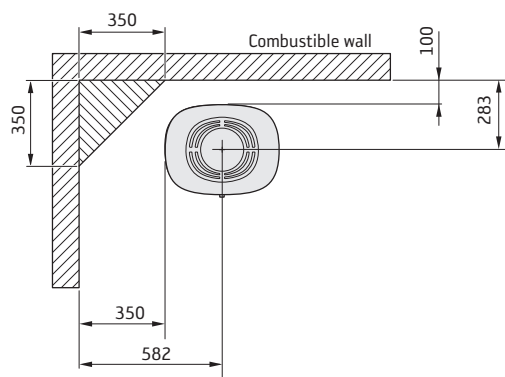
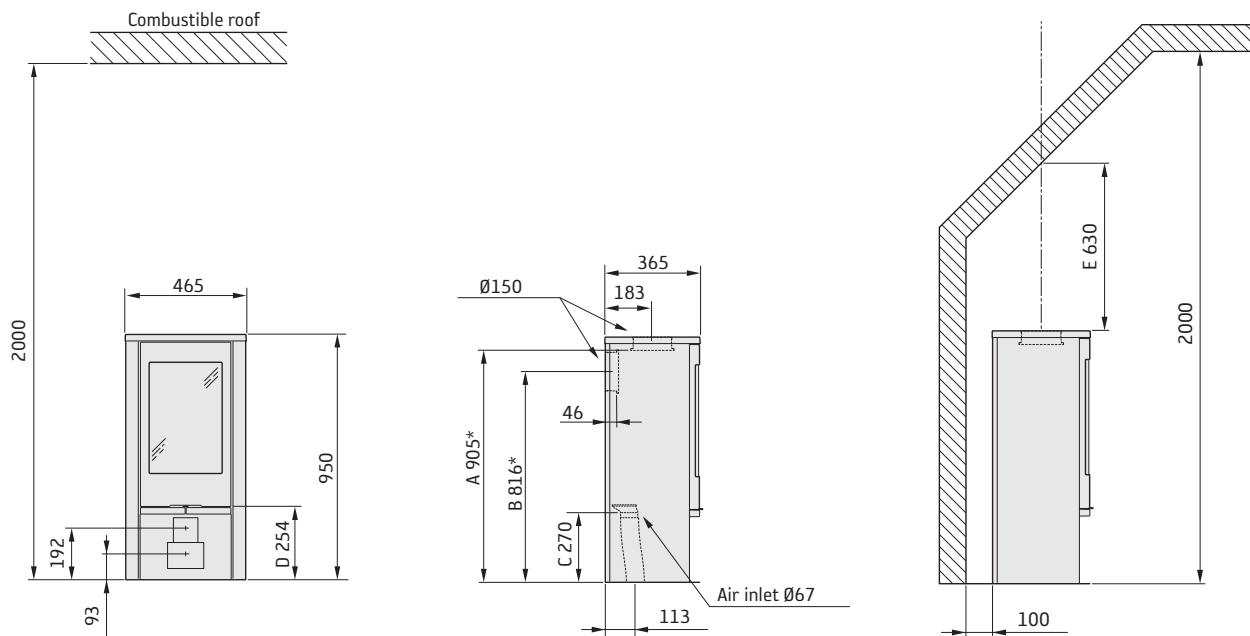


810 Style

Max. log length: 33 cm

- A = height from floor to chimney connection upwards
- B = height from floor to c/c chimney connection rear
- C = height from floor to air inlet
- D = height from floor to lower edge of hatch
- E = minimum height to sloped ceiling from the centre of the chimney



* If the stove is placed on a floor protector hearth plate made of glass for example (accessory option), the height from the floor will be increased by the thickness of the hearth plate; for a freestanding glass hearth plate this will be 10 mm.

** To prevent discolouration of painted non-combustible walls, we recommend the same safety spacing as for a combustable wall.