

Installation distances

C210

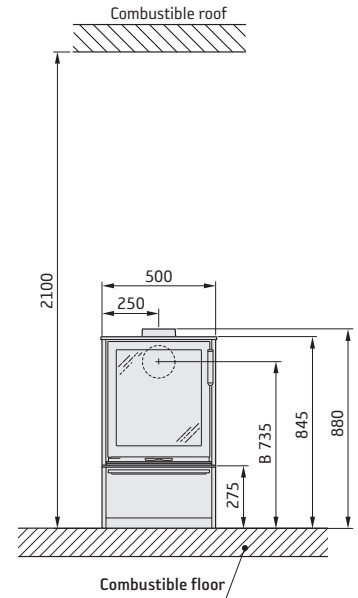
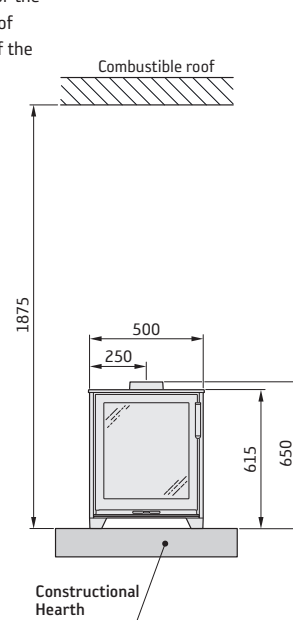
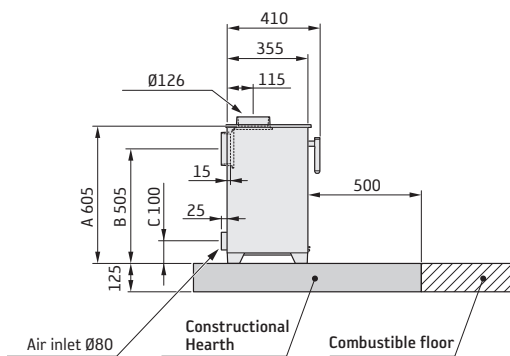
The minimum distance in front of the stove opening to combustible parts of the building or interior decoration must be at least 1,4 m.

The dimension diagrams only show the minimum permitted installation distances for the stove. When connecting to a steel flue, also note the safety distance requirements of the flue. The safety distance between an uninsulated flue and a combustible part of the building should be at least 500 mm.

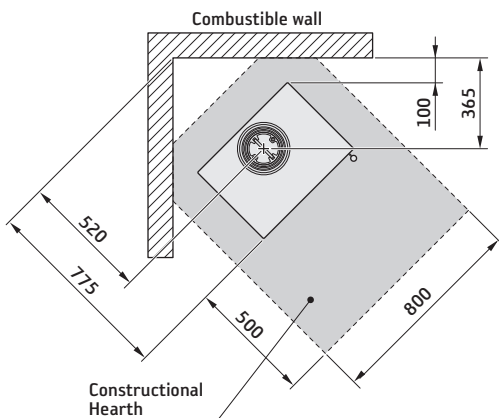
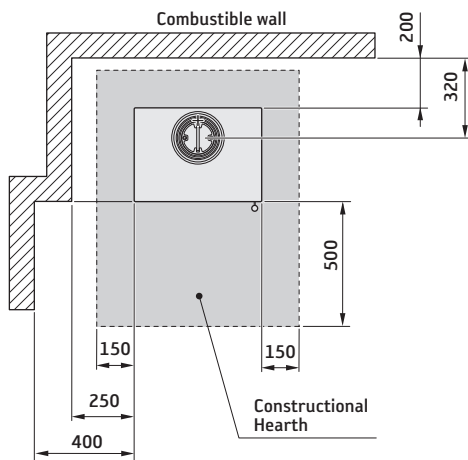
A = height from floor to chimney connection upwards

B = height from floor to c/c chimney connection rear

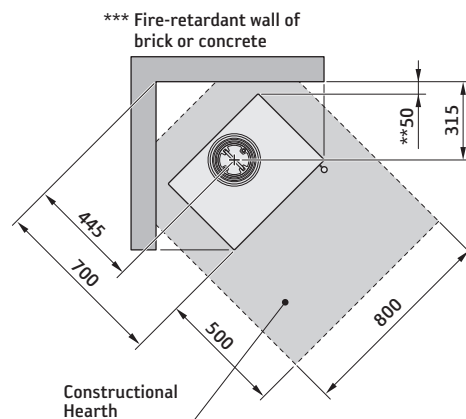
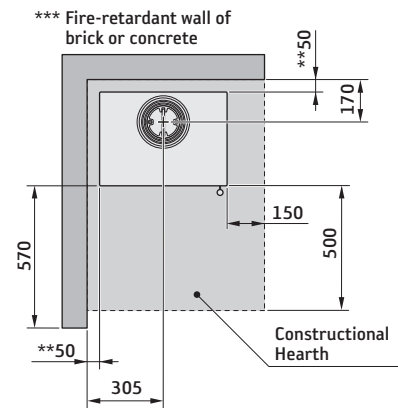
C = height from floor to air inlet



INSTALLATION AGAINST COMBUSTIBLE WALLS



INSTALLATION AGAINST FIREWALLS



** To prevent discolouration of painted non-flammable walls we recommend that the same side distance as to combustible walls is used.

*** Example of an approved firewall is 120 mm solid brick or 100 mm aerated concrete.