



Trimline 64 Front DB	1186	Trimline 64H Front DB	1190
Trimline 64 Panoramic DB	1187	Trimline 64H Panoramic DB	1191
Trimline 64 Corner Left DB	1188	Trimline 64H Corner Left DB	1192
Trimline 64 Corner Right DB	1189	Trimline 64H Corner Right DB	1193

## INSTALLATION INSTRUCTIONS

For other languages, download the manual, open it in Acrobat Reader and choose the desired language with the buttons on the bottom side of this page.



# CONTENTS

1	INSTALLATION INSTRUCTIONS .....	3
2	PLACING THE APPLIANCE.....	3
2.1	Preparation and installation .....	3
2.2	Connection to the gas supply pipes .....	4
2.3	Installation methods.....	4
3	REMOVING AND INSTALLING THE GLASS PANELS.....	6
4	INSTALLATION OF THE CERAMIC WOOD SET AND DISPERSION MEDIUM.....	10
5	INSTALLING REAR WALLS (OPTIONAL).....	12
6	FITTING THE LED GLOW BED MODULE (OPTIONAL).....	18
6.1	AR glass (Optional) .....	21
7	TECHNICAL DETAILS MAXITROL GV60 .....	22
8	INSTRUCTIONS FOR MAXITROL GV60 .....	24
9	GAS-TECHNICAL SPECIFICATIONS.....	25
10	CONCENTRIC PATHWAYS .....	27
11	CONCENTRIC FLUE SYSTEM .....	28
11.1	Components of the concentric flue system .....	28
11.2	Construction of concentric flue system .....	28
11.3	Installation instructions regarding existing flues.....	28
11.4	Parts .....	29
11.5	Installation.....	29
12	PASS-THROUGH POSITIONS AND FUNCTION CORRECTLY .....	30
13	CLEANING AND MAINTENANCE.....	31
14	QUICK REFERENCE GUIDE FOR FAULTSSEARCH FOR ENCLOSED GAS FIRES USING MAXITROL GV60 GASCONTROL .....	32
Appendix 1	DIMENSIONAL DRAWINGS .....	34
Appendix 2	BUILT-IN EXAMPLES.....	37
Appendix 3	CONSTRUCTION DIAGRAM DOUBLE-WALL CONCENTRIC .....	41
Appendix 4	PREPARATION AND INSTALLATION .....	42
Appendix 5	PREPARING GAS CASSETTE GV60 FOR INSTALLATION .....	43
Appendix 6	EXPLODED VIEW AND SPARE PARTS .....	45

thermoCet International B.V.  
Laagerfseweg 27  
3931 PC Woudenberg  
The Netherlands  
[www.trimlinefires.com](http://www.trimlinefires.com).



Modifications and printing errors are reserved.

thermoCet International BV is not responsible for any  
(consequential) damage due to incorrect installation.

V110322



# 1 INSTALLATION INSTRUCTIONS

## NOTE

The installation should be performed only by an authorized gasfitter.

- The appliance must be installed, connected, inspected and serviced as a closed appliance by a qualified fitter, according to local standards and regulations.
- The flue tube system and the outlets in the outer wall or roof face must also meet the requirements outlined in the applicable local standards and regulations.
- The appliance has been approved in combination with the concentric flue system THC/Holetherm in accordance with European CE standards for gas appliances, and may therefore only be applied with this system.
- The appliance needs to be inspected by the fitter for local gas distribution (gas type and gas pressure) as indicated on the identification plate.
- The instructions are only applicable if the relevant country code is stated on the appliance.
- There will be air in the gas pipes when the appliance is first used. The gas supply pipes therefore need to be vented first.

- Ignite the appliance according to the user manual and check the flame is burning evenly. After the appliance has been used for the first time, any deposits resulting from curing must be removed from the glass panel using a glass cleaner made specifically for fireplaces.

### Distance from flammable materials

Do not place flammable materials within 500mm of the part of the appliance that radiates heat.

### Distance to non-flammable materials

The appliance needs to be placed a minimum distance of 25mm from the wall unless stated otherwise in these instructions.

## WARNING

- Gas fires become hot when in use. After installation of the appliance, the glass panel surface is considered to be an active zone. The glass panel surface can become very hot.
- Therefore, you should take care by, for example, keeping children and those requiring help away from the immediate vicinity of burning fires. Gas fires must not be placed on or against flammable materials.

# 2 PLACING THE APPLIANCE

## NOTE

Before installing the appliance, please read Chapter 3 *Removing and installing the glass panel*, 10 *Concentric pathways*, 11 *Concentric flue system* and APPENDIX 2.

## 2.1 Preparation and installation

- Check the packaging for damage. Remove the packaging and check the contents are intact and complete. Report damage and defects to the supplier immediately.
- The packaging contains the following components:
  - Unit
  - Remote control
  - Ceramic wood set
  - Restrictor(s)
  - 4 x AA battery
  - 2 x AAA battery
  - Suction cup(s)
  - Adjustable feet
  - Wide trims packed separately
  - Built-in cassette with identification plate
  - 2 Convection grilles
  - Installation instruction
  - User manual

## NOTE

Do not start the installation until you have read and understood the installation instructions.

- Place the appliance on a stable surface. Remove the glass panel (see Chapter 3 *Removing and installing the glass panel*) so you can take out the packaged parts. Check it for damage and defects.
- Put the appliance in place using the adjustable feet (supplied) and the wall mounting. The adjustable feet can be used for fine adjustment of the appliance; an optional leg extension set is also available. APPENDIX 4 Image 4
- The gas valve must be installed in the gas control box (see Paragraph 2.2 *Connection to the gas supply pipes*).

### Optional

The gas valve can be mounted under the appliance using a wall bracket (floating platform). This must be accessible.

- The distance between the gas valve and the appliance is determined by the cable length (maximum 1200mm, in combination with the LED module 1000mm).
- The flue path determines whether a restrictor and/or baffle plate must be fitted (refer to Chapter 10 *Concentric pathways* and appendix 4 *Preparation and installation*).

- The baffle plate is secured with 4 screws. After loosening these screws, the baffle plate can be removed. The flue restrictor can be fitted by removing the bracket from the baffle plate and placing the flue restrictor between this bracket and the appliance. The baffle plate can then be refitted. **APPENDIX 4 1 2 3**
- Connect the appliance to the concentric flue system.
- Position the supplied convection grilles at least 500 mm below the ceiling. If the space between the grille and the top of the ceiling in the chimney is very high, it is recommended that a false ceiling made of refractory material be installed in the chimney. **APPENDIX 2**

## 2.2 Connection to the gas supply pipes

### APPENDIX 5

- Remove the protective bracket under the appliance complete with gas valve (remove the tie straps) and secure it in the gas control box with the wing nut, which can be found inside.
- Take account of the power supply: batteries or 230V adapter.
- You can determine where the gas supply pipes will be placed, dependent on the layout. Ensure control equipment is not twisted during installation and there is no excessive tension. Accessibility of various connection points in relation to components needs to be maintained. After installation, check the connections are gas-tight. Use a 3/8" gas tap with a connector. Also ensure the gas supply pipe is free from dirt or sand. To prevent damage to the gas control equipment, the gas connection must be isolated from the electrical power.
- Ignite the appliance for the first time without a glass panel. Check all the gas connections for leaks again. You can then switch the appliance off and put the ceramic wood set in place (see Chapter 3 *Installation of the ceramic wood set and dispersion medium*).

### NOTE

- If the appliance does not work properly and/or the flames do not look good, repeat the previous steps again while checking and correcting if necessary.
- The glass will now need to be cleaned again (see chapter 13 *Cleaning and maintenance*).

## 2.3 Installation methods

### APPENDIX 4

Depending on the desired set-up, you can decide to work with a wide trims or just to connect the plateau almost directly to the glass panes of the appliance.

### Applying the wide trims 1

- The standing trims have an adjustable magnet attachment at the bottom. Pull the wide trim forward at the bottom and unhook it at the top.
- Push the lower trim forward and then remove it.
- The unit can be built in, taking into account the correct built-in materials (fire-free/inflammable). Adjust the dimensions of the conversion in such a way that the wide trims can be placed back on the fireplace without any problems.
- Keep in mind that the appliance gets hot and will expand. If the installation is too tight, less than 4mm clearance, this can cause unwanted noise and damage the housing.
- After finishing (eg ornamental plaster or glass fiber wallpaper) of the surround, the trims can be put back again.

### Work with the Plateau directly on glass panes 2 3 4

- The plateau finish can be finished almost against the glass pane, see the orange dotted line. **1**)
- Plateau materials must always be non-combustible. The glazing bars with leaf springs must remain removable at all times.
- Set profiles are provided on the underside of the device, which can serve as a boundary for the plateau material. These slidable profiles are adjustable in height **3 4**. The sizes 20-30 mm are indicative of the platform thickness.

### NOTE

- The platform material must not rest on the adjusting profiles. The appliance will get hot and expand, resulting in cracking of the platform material.
- The top of the platform must not extend above the insert strips, the glass panel must remain removable.



### 3 REMOVING AND INSTALLING THE GLASS PANELS

#### NOTE

In certain exhaust routes, the baffle plate is not replaced, see Chapter 10 *Concentric Pathways*.

#### Fitting the front glass panel

#### NOTE

When fitting the front glass panel, there is a risk of the glass breaking. The side glass panel is pressed against the front glass panel by spring pressure. When removing the front glass panel, the side glass panel can creep forward due to the spring pressure.

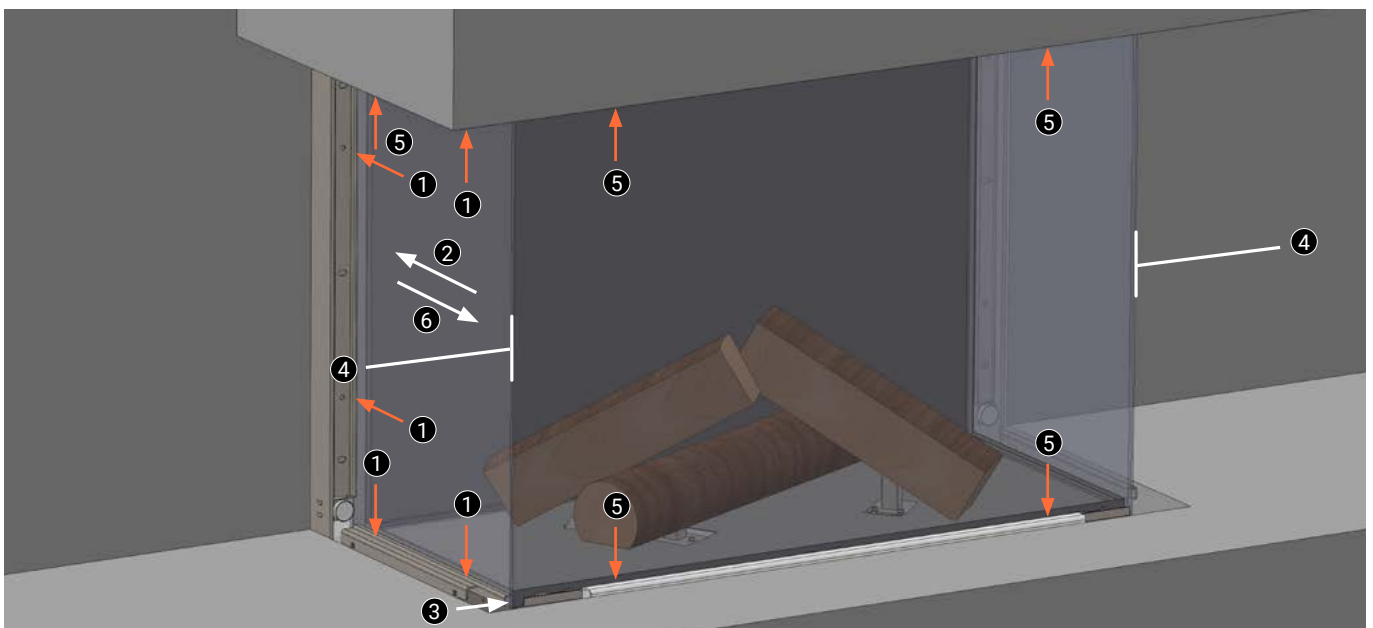
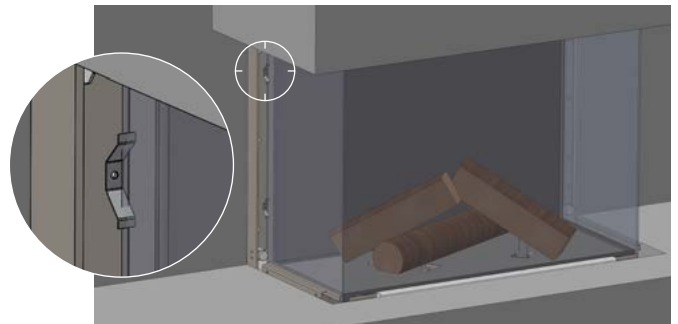
Therefore, proceed as follows to refit the front glass panel:

- The side glass panel does not need to be removed, but it must be pushed back.
- Loosen the screws of the glass holders of the side glass panels ❶ (do not remove the glass holder) or remove the spring glass holder.
- Place the suction cup on the side glass panel and slide it, against the spring pressure, to the rear ❷, past the contact surface of the front glass panel ❸.
- Clamp the side glass panel(s) by tightening the glass holder screws or fitting the spring glass holder\*.

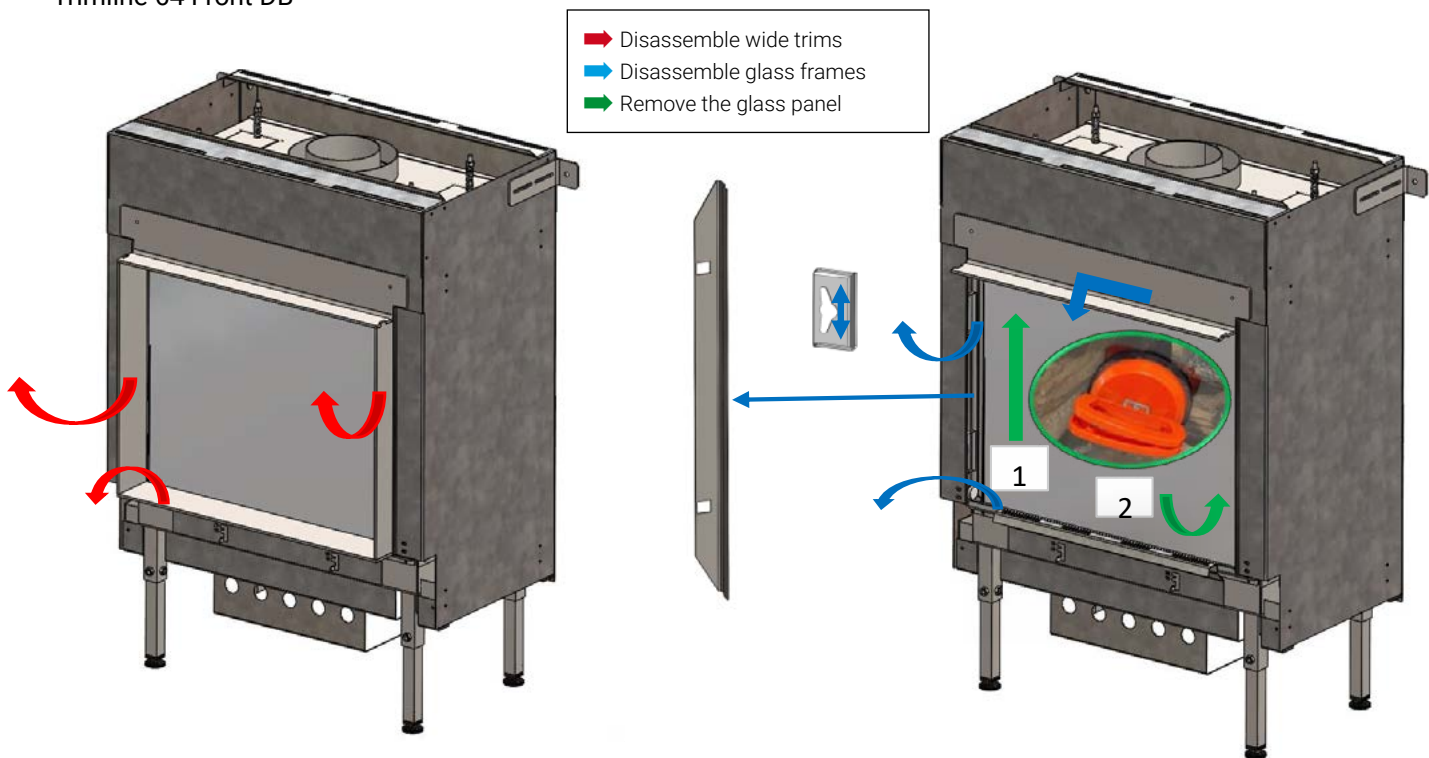
- Make sure the seals are complete, whole and clean.
- Fit the front glass panel and ensure it is aligned with the side glass panel(s) ❹.
- Clamp the front glass panel by tightening the glass holder screws ❺ or fitting the spring glass holder.
- Loosen the side glass panel(s) by loosening the glass holder screws (do not remove the glass holder) or removing the spring glass holder ❶.
- Carefully slide the side glass panel(s) forward using the supplied suction cup ❻. Check the side glass panel fits neatly against the front glass panel.
- Keep the side glass panel pushed against the front glass panel and clamp the side glass panel firmly by tightening the glass holder screws or fitting the spring glass holder.
- Refit the decorative strips.
- Check the appliance ignites properly again.

#### NOTE

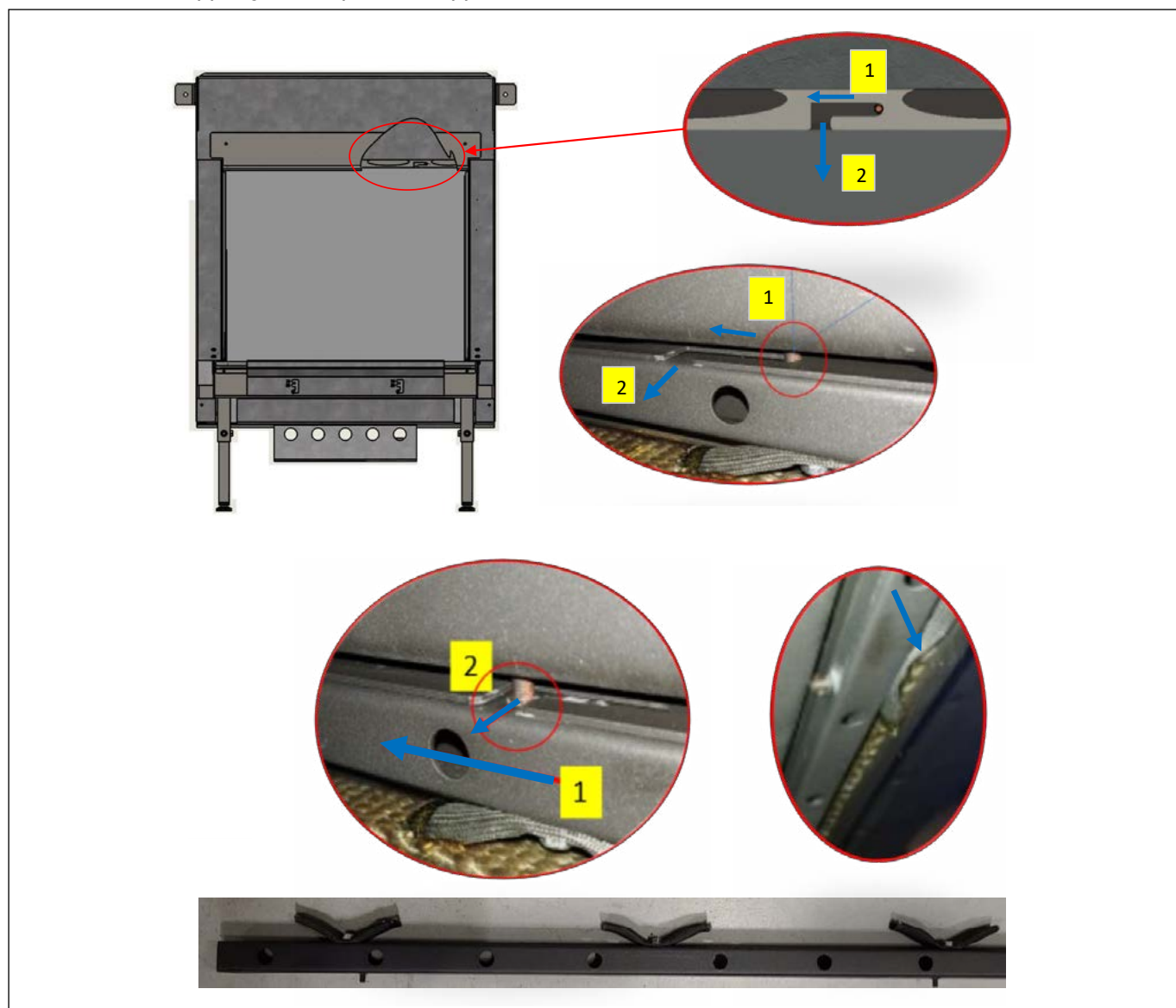
Do not forget to re-tension the springs that push the glass panel forwards so there is less chance of the window creeping.



# Trimline 64 Front DB

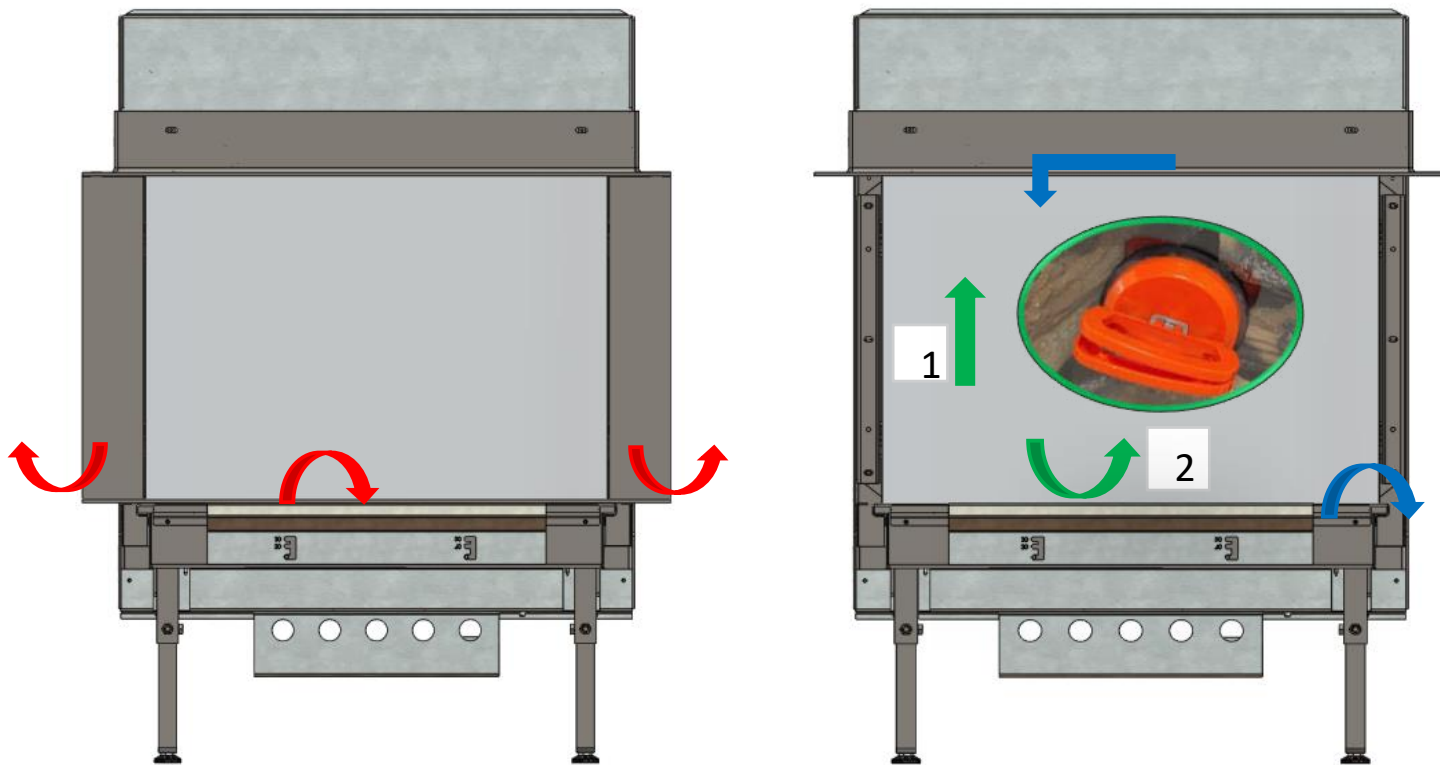


Disassemble the upper glass strip. This is applicable to all Trimline 64 Front/Panoramic/Corner.

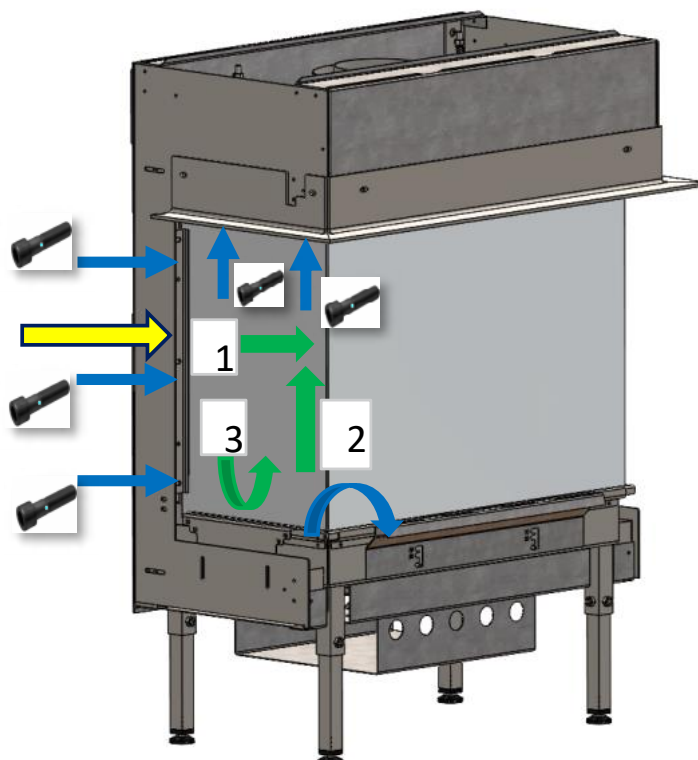


# Trimline 64 Panoramic DB

- ➔ Disassemble wide trims
- ➔ Disassemble glass frames
- ➔ Remove the glass panel
- ➔ NOTE



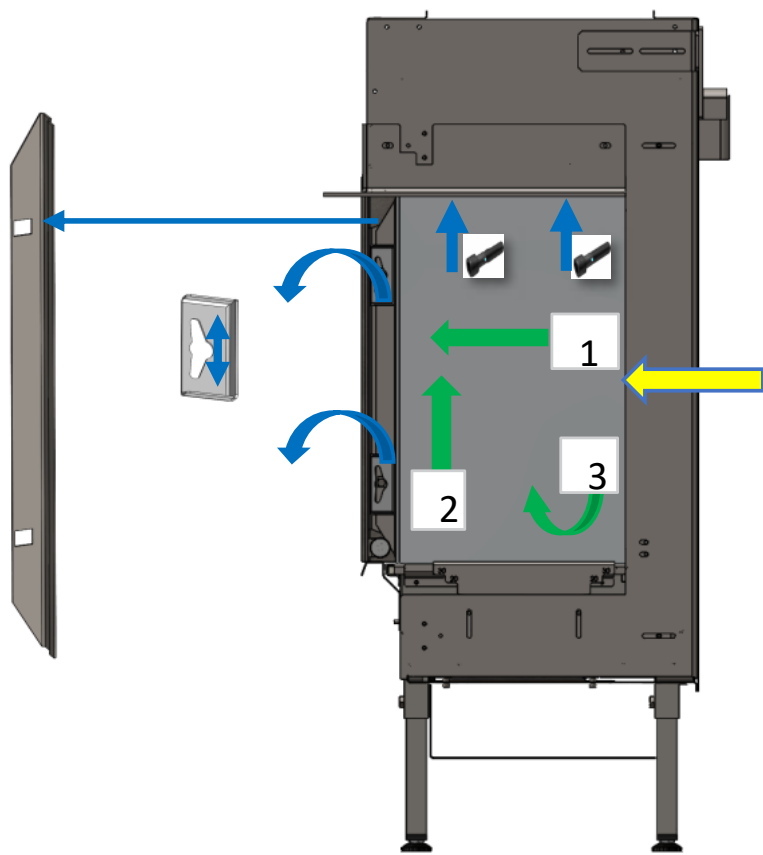
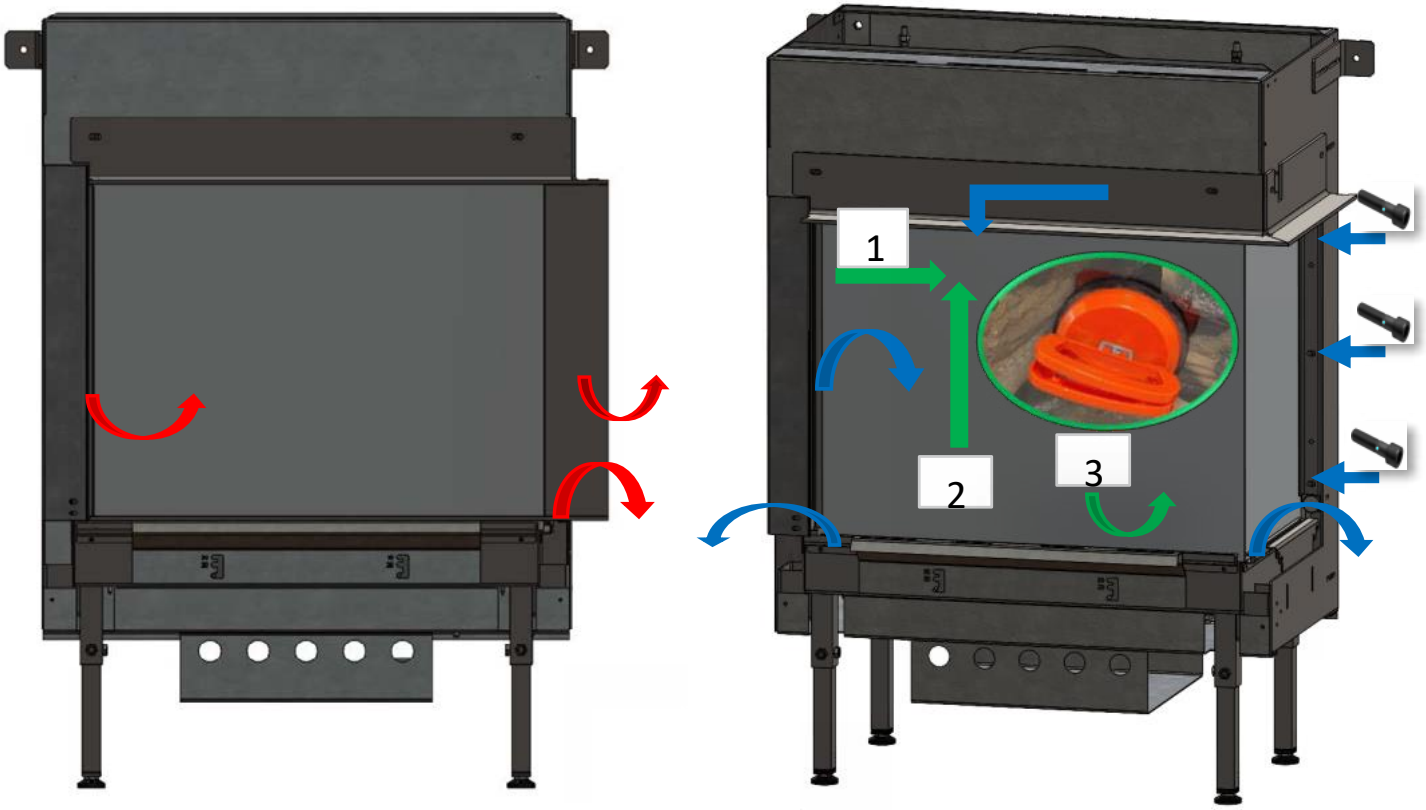
**NOTE**  
 When removing side glass panel. Note the leaf springs that push the glass panel forward when the front glass panel comes out. First push the side glass panel backwards and secure it before you place the glass panel back.





# Trimline 64 Corner DB

- ➔ Disassemble wide trims
- ➔ Disassemble glass frames
- ➔ Remove the glass panel
- ➔ NOTE



**NOTE**  
 When removing side glass panel. Note the leaf springs that push the glass panel forward when the front glass panel comes out. First push the side glass panel backwards and secure it before you place the glass panel back.

## 4 INSTALLATION OF THE CERAMIC WOOD SET AND DISPERSION MEDIUM

### NOTE

- If a choice has been made to install the optional rear wall, this must be installed before positioning the logs (see Chapter 6 *Installing rear walls (optional)*).
- If a choice has been made to install the optional LED glow bed, this must be installed before positioning the logs (see Chapter 5 *Installing the LED glow bed module*).
- As standard, all the burners are fitted **2** and the perforated burner mesh is installed. To make it easier to remove the burner mesh, there are 2 integrated lifting brackets with which the entire plate including glass/glowing material can be removed after the burners have been removed.
- Spread the glass granules evenly over the central part of the perforated burner mesh **3**. If a LED glow bed module is used: check whether there is a direct view of the LEDs (light leakage). **4**  
Keep the glass granules off the burner mesh at the base of the outer burners. Ensure glass granules do not fall into the pilot flame. Keep the burner ports of the central burner free.
- Disassemble the outer burners **5**. Ensure the sealing gasket remains intact and that no glass granules fall into the burner opening.
- Put the central log **6** **A** correctly in place over the central burner. Pay attention to the correct position and fit without applying undue load. The burner ports must be clear so the gas can flow out freely.

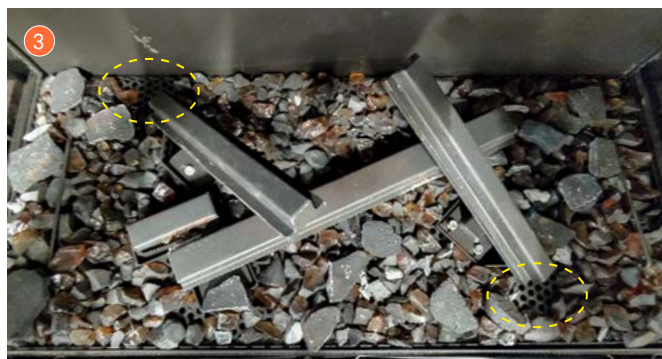
- Fit the outer burners **7**; pay attention to keeping the gasket clean and ensure it makes a good seal.
- Place logs **8** on the outer burners.
- The rebate in the log goes over the burner **8**. Pay attention to the location of the logs, they must lie tension-free over the burner.
- Check the fuel openings at the front and rear remain open so gas can flow freely.
- Spread the ashes over the dispersion medium.

### WARNING

Placing the logs in the wrong place can seriously affect the flames and/or cause the burning process to malfunction altogether.

- Ignite the appliance again without the glass panels fitted and check there is no dispersion medium against the burner ports and that the pilot light is not blocked.
- After checking and correcting if necessary, the glass can be fitted.
- Ignite the appliance again. Check the flames again after at least 15 minutes of heating time. Switch off the appliance and check the appliance ignites without any problems.
- Put wooden blocks **C**, **D** and **E**. **9**





Put the dispersion medium in place.  
The marked places must remain free of the dispersion medium.



Only in combination with LED. Check for LED light leakage.



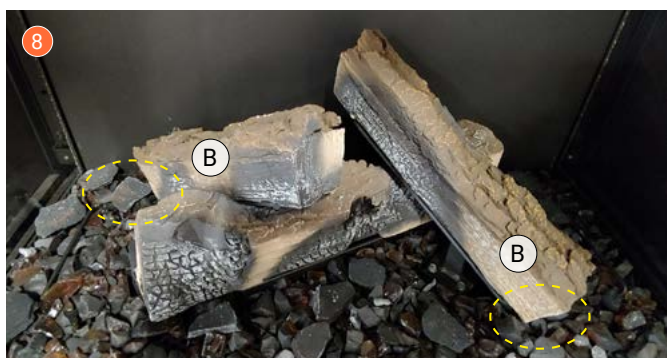
Disassemble the outer burners.



Put wooden block A in place.  
Check to ensure no dispersion medium  
has entered the opening.



Return the outer burners back to their position.



Put logs B into place according to the picture.  
Check the dispersion medium does not lift the ceramic block.



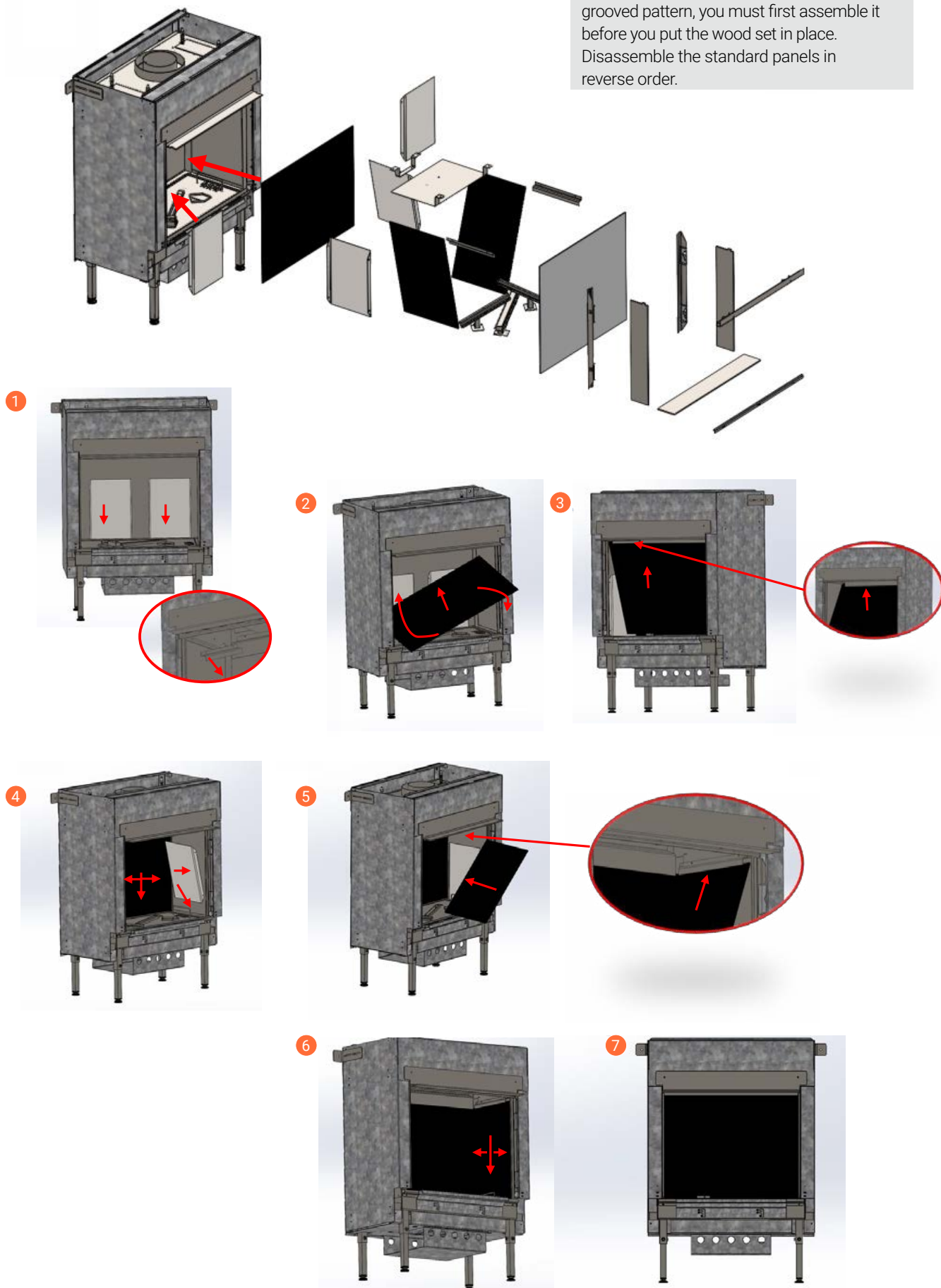
Put logs D and E in place as shown in the picture.

## 5 INSTALLING REAR WALLS (OPTIONAL)

Black glass rear wall for Trimline 64 Front

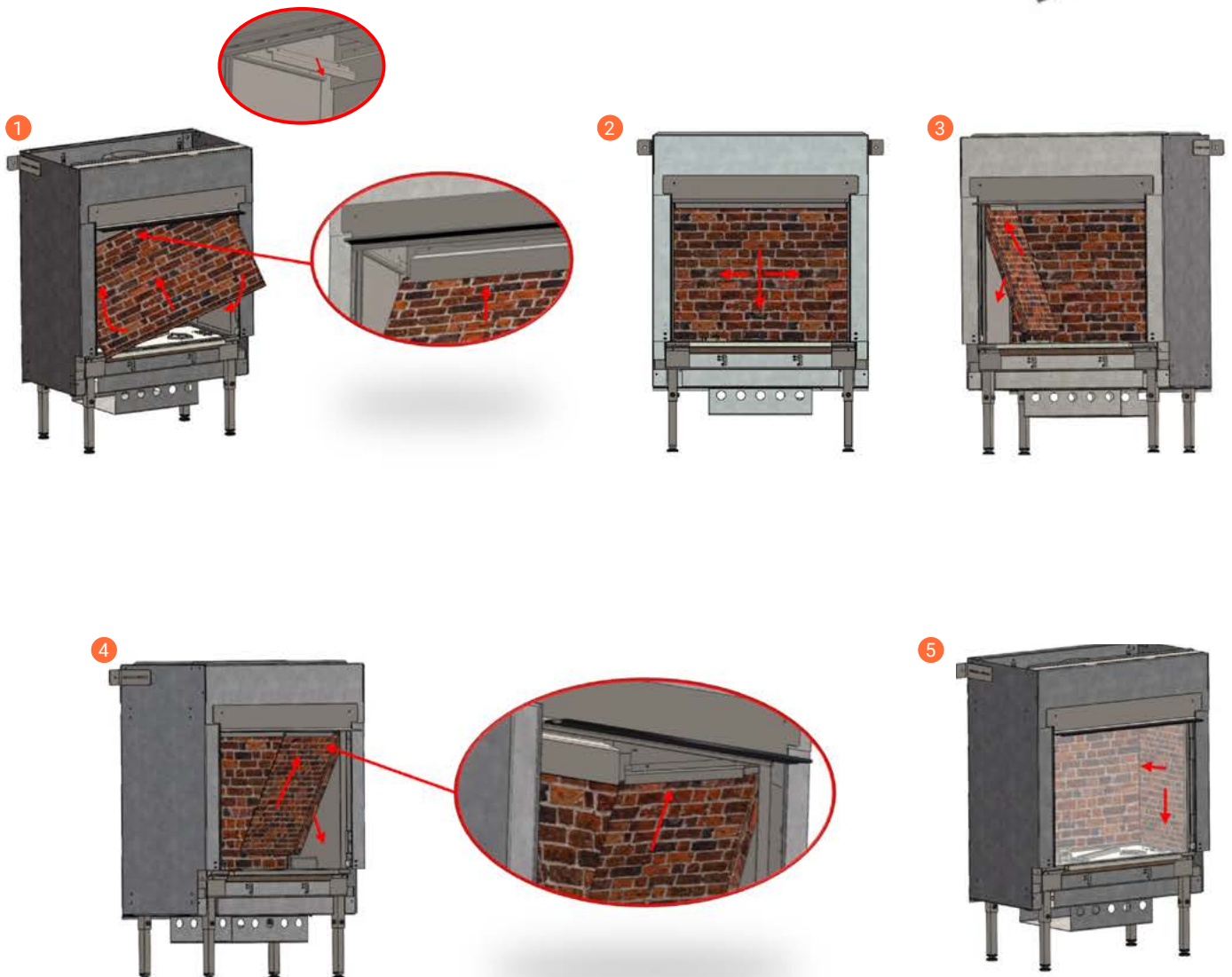
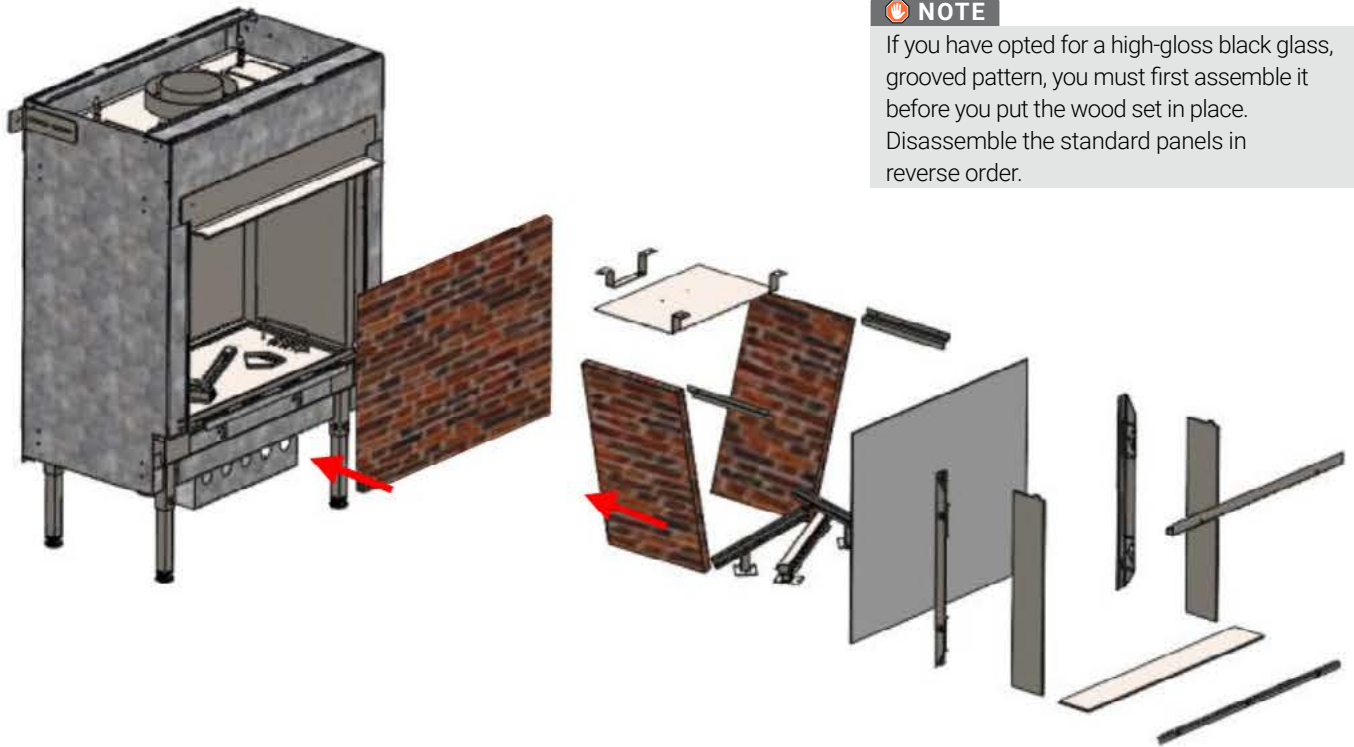
### NOTE

If you have opted for a high-gloss black glass, grooved pattern, you must first assemble it before you put the wood set in place. Disassemble the standard panels in reverse order.



**NOTE**

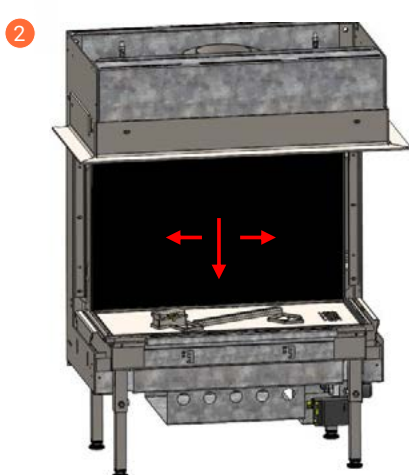
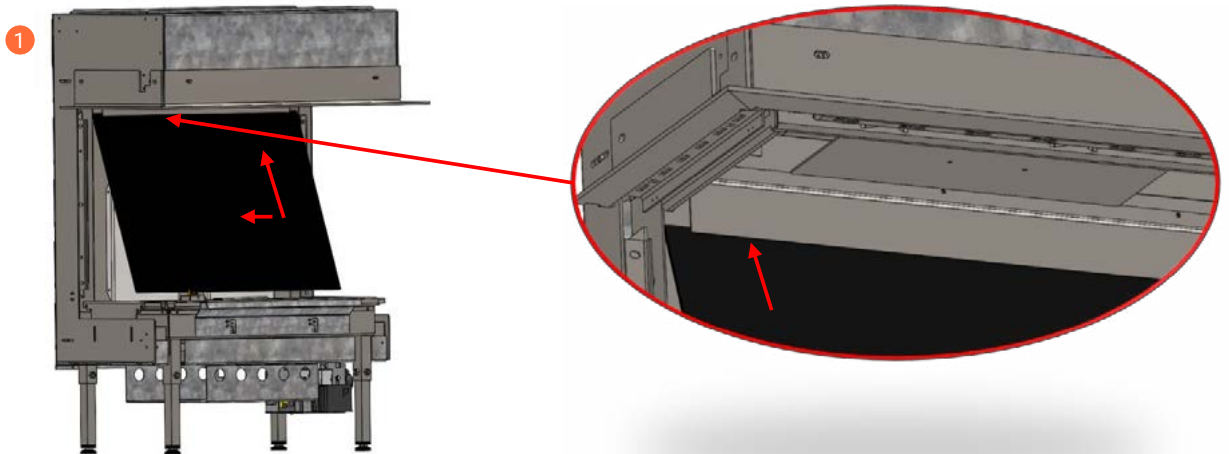
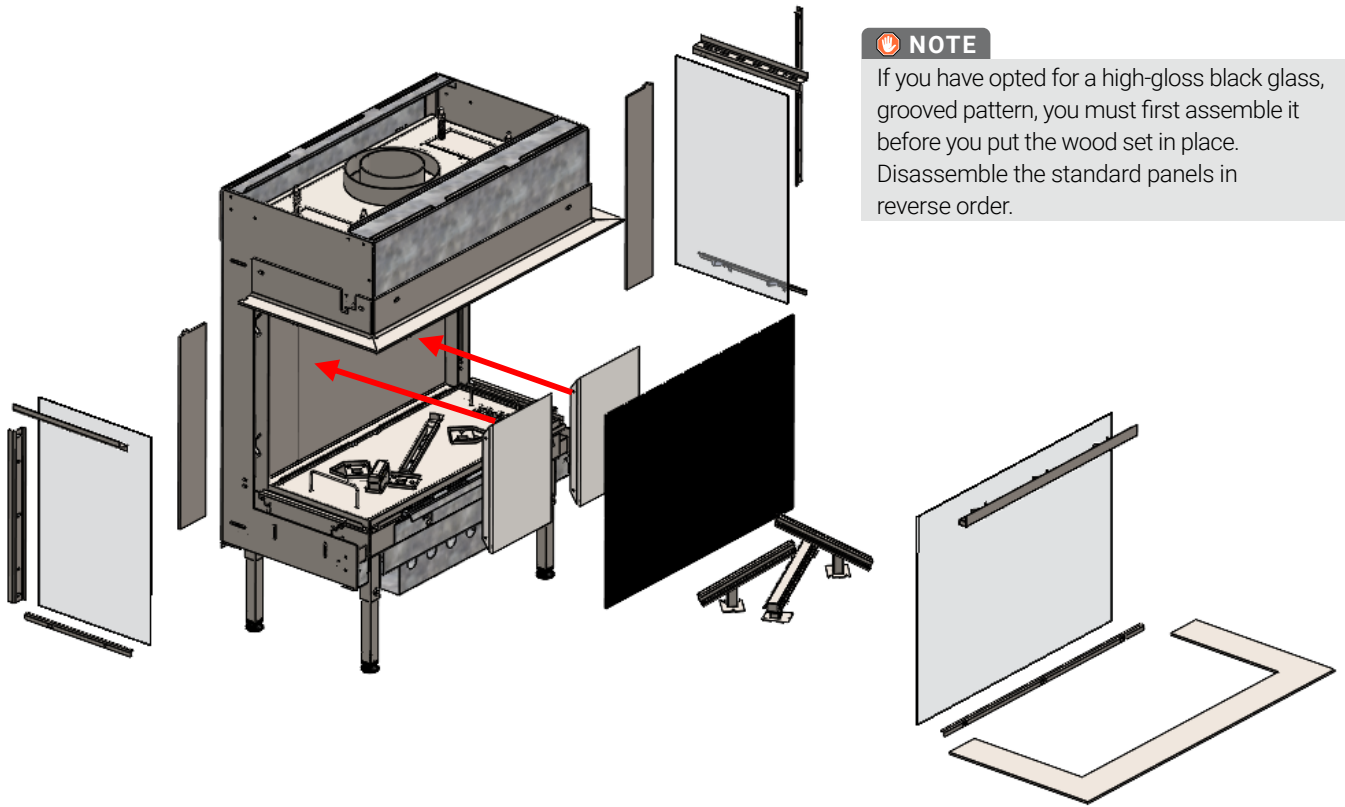
If you have opted for a high-gloss black glass, grooved pattern, you must first assemble it before you put the wood set in place. Disassemble the standard panels in reverse order.



# Black glass rear wall for Trimline 64 Panoramic

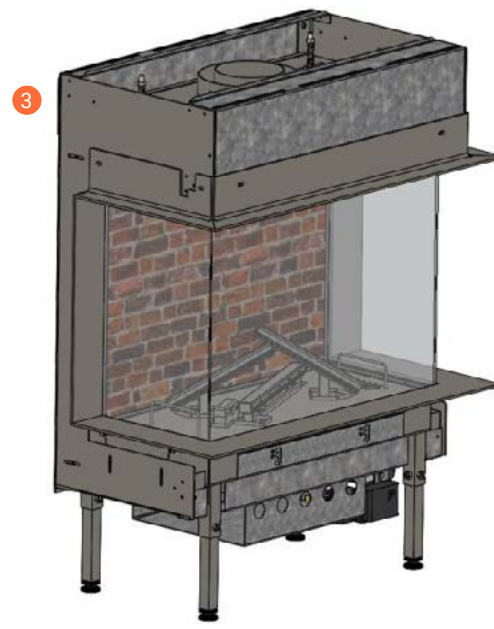
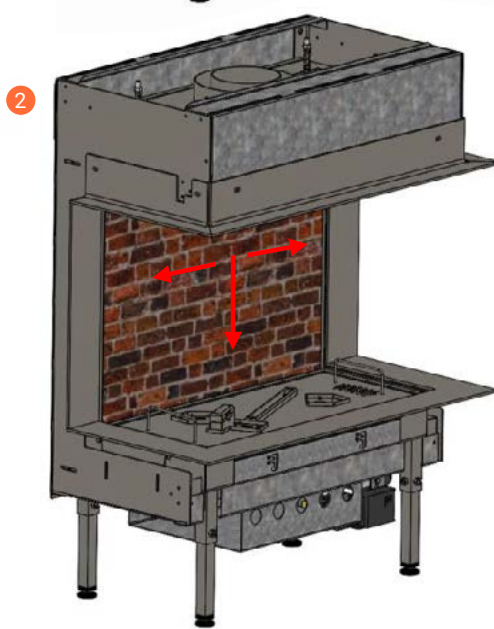
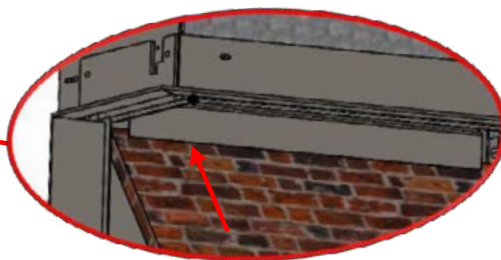
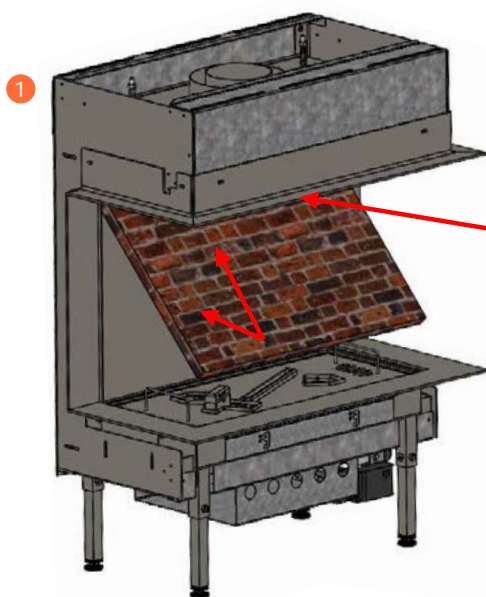
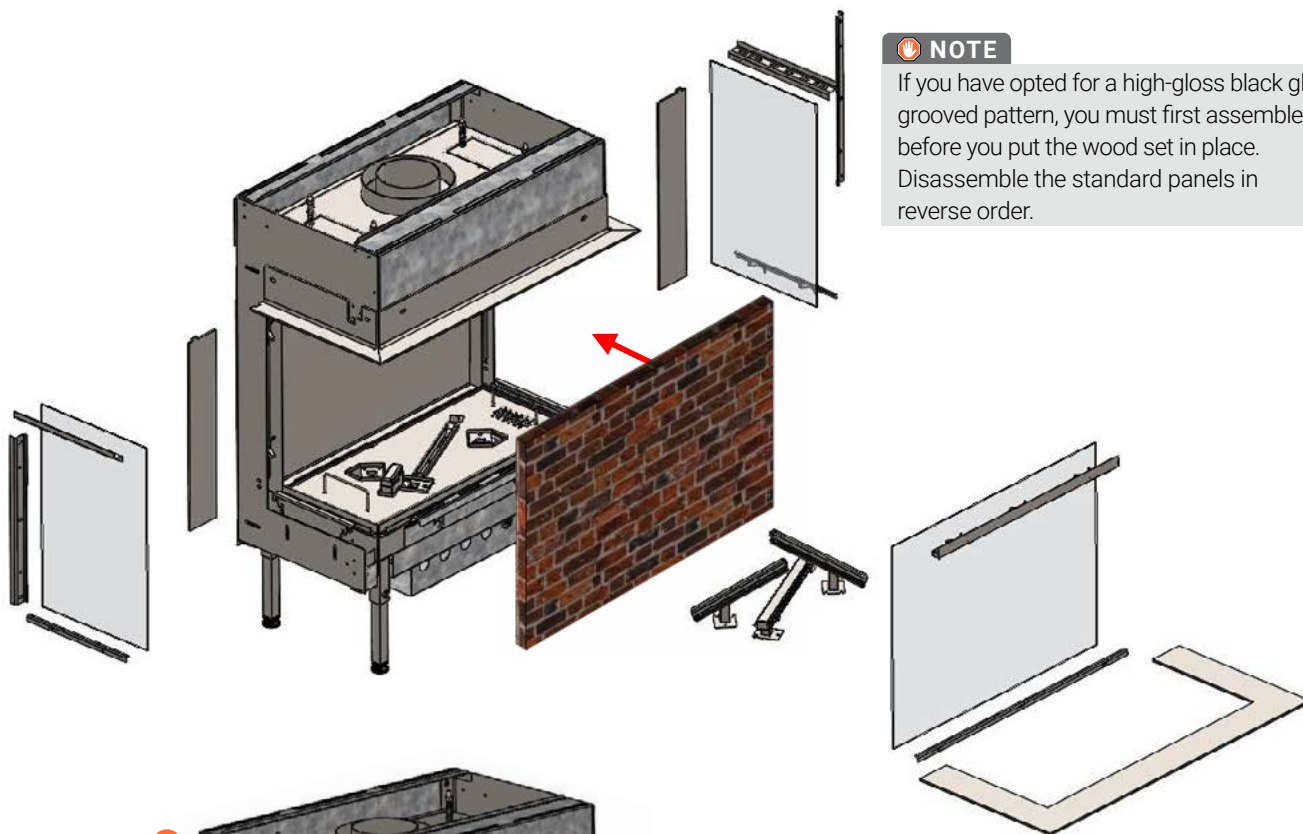
## NOTE

If you have opted for a high-gloss black glass, grooved pattern, you must first assemble it before you put the wood set in place. Disassemble the standard panels in reverse order.



**NOTE**

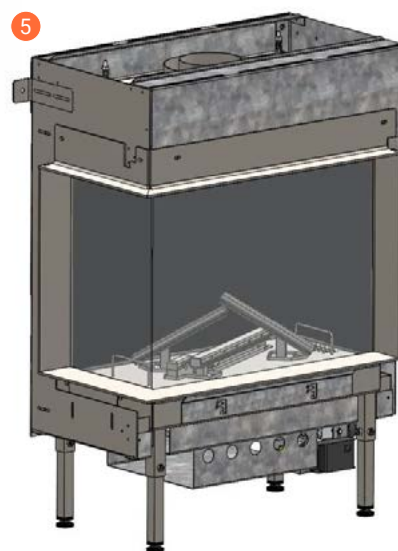
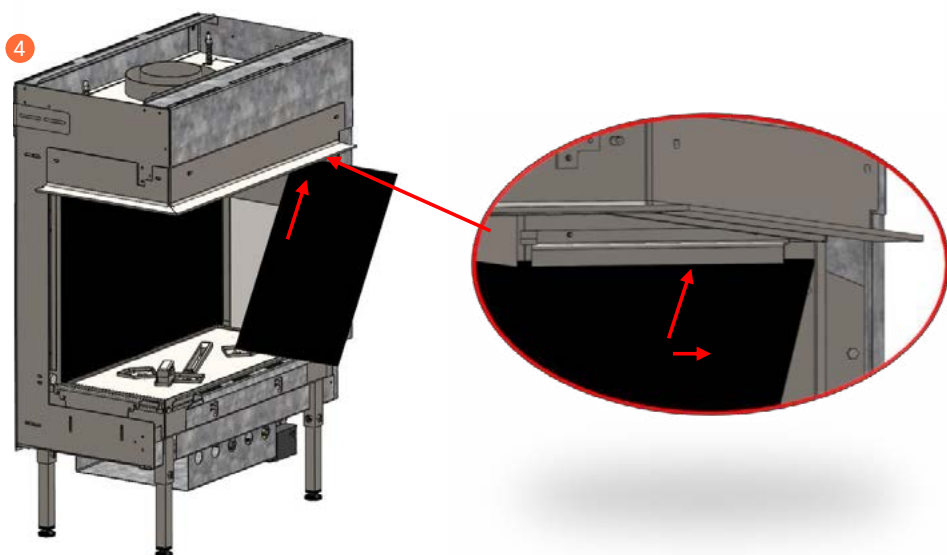
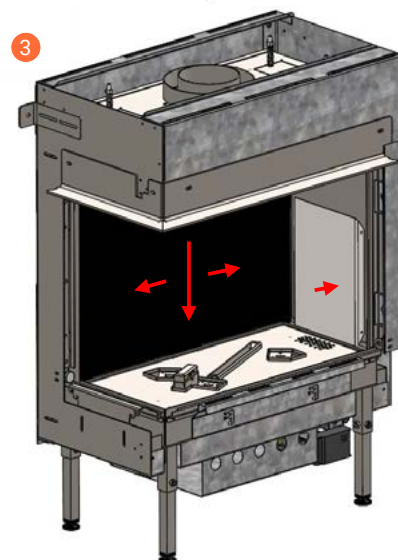
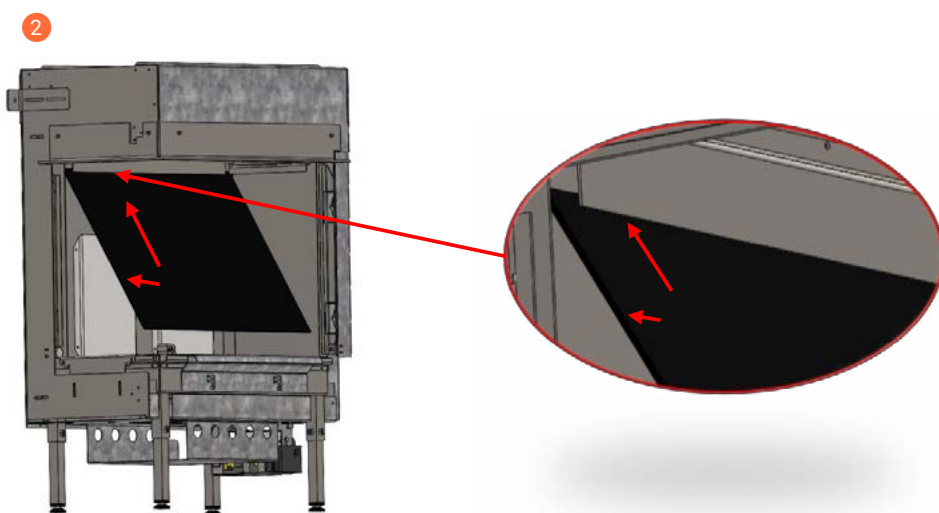
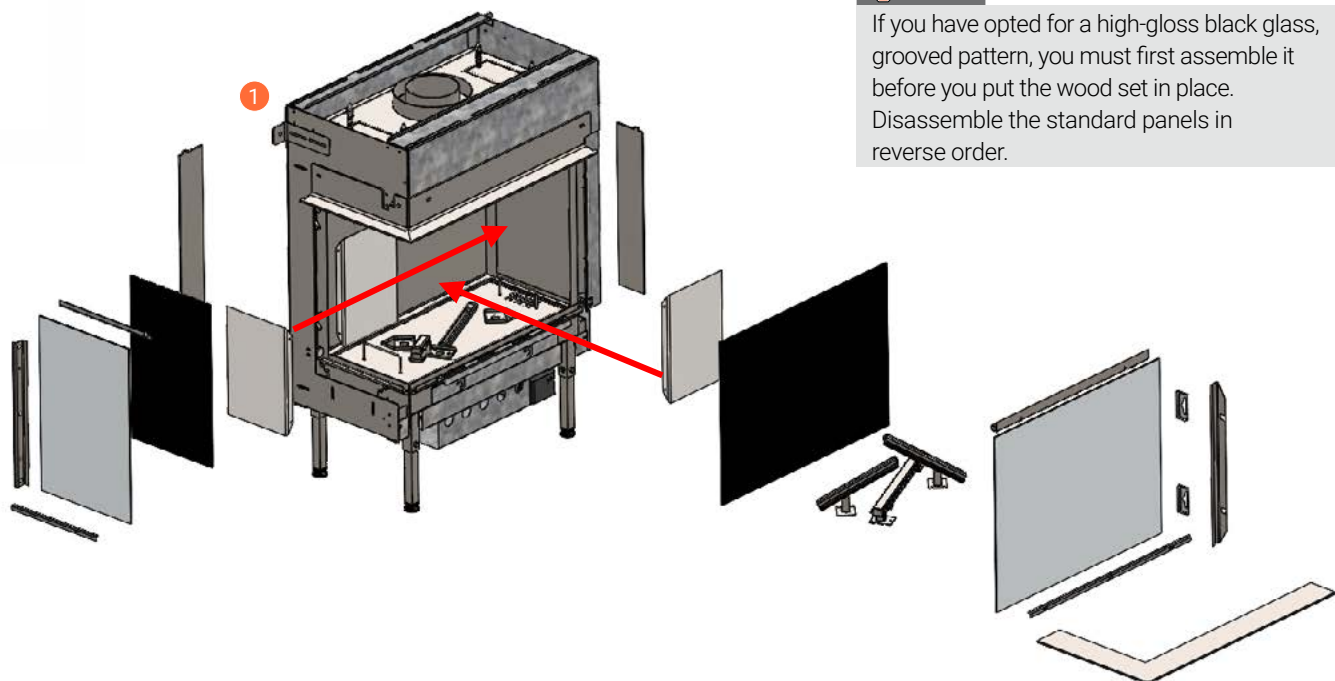
If you have opted for a high-gloss black glass, grooved pattern, you must first assemble it before you put the wood set in place. Disassemble the standard panels in reverse order.



# Black glass rear wall for Trimline 64 Corner

## NOTE

If you have opted for a high-gloss black glass, grooved pattern, you must first assemble it before you put the wood set in place. Disassemble the standard panels in reverse order.

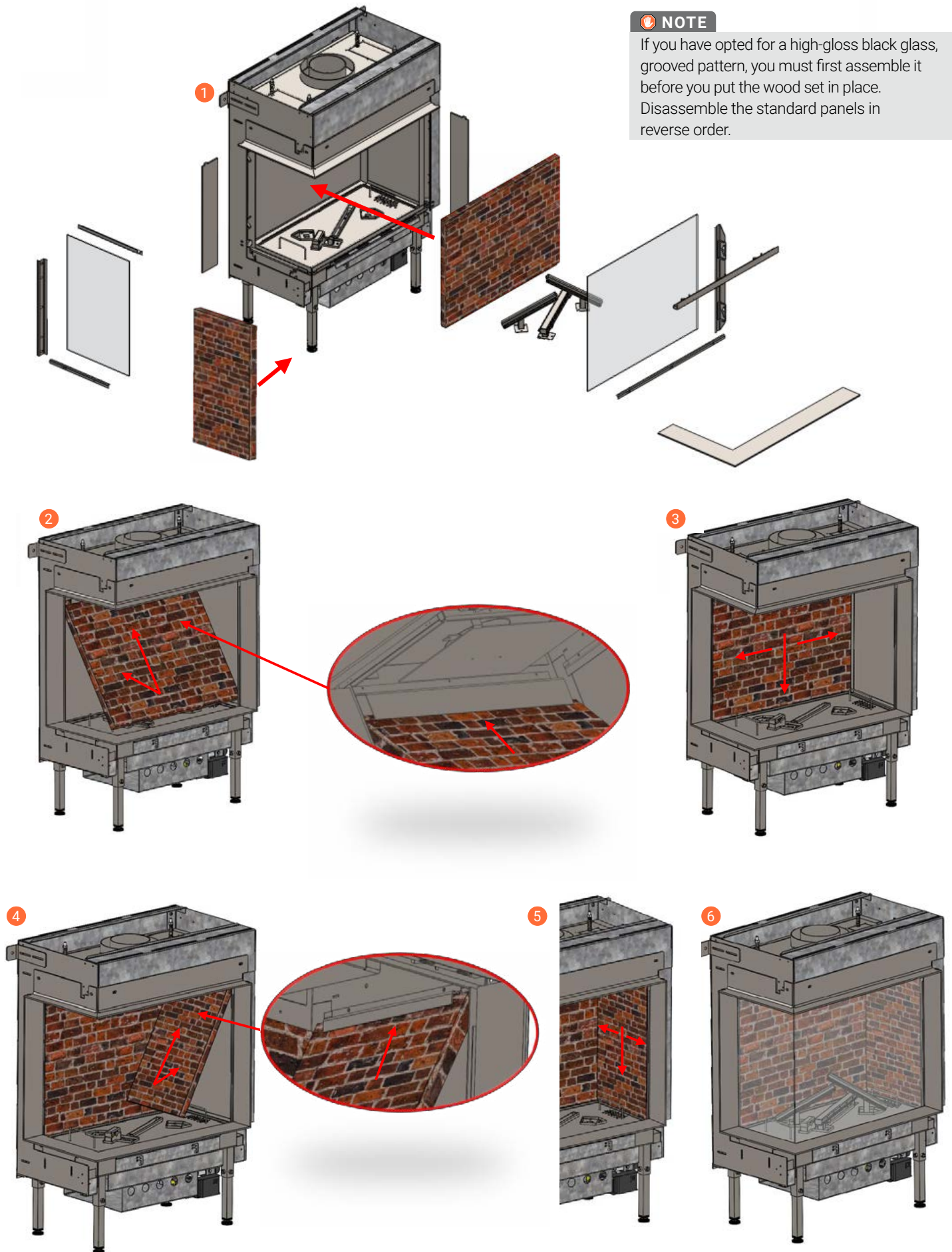




# Stone pattern rear wall for Trimline 64 Corner

**NOTE**

If you have opted for a high-gloss black glass, grooved pattern, you must first assemble it before you put the wood set in place. Disassemble the standard panels in reverse order.



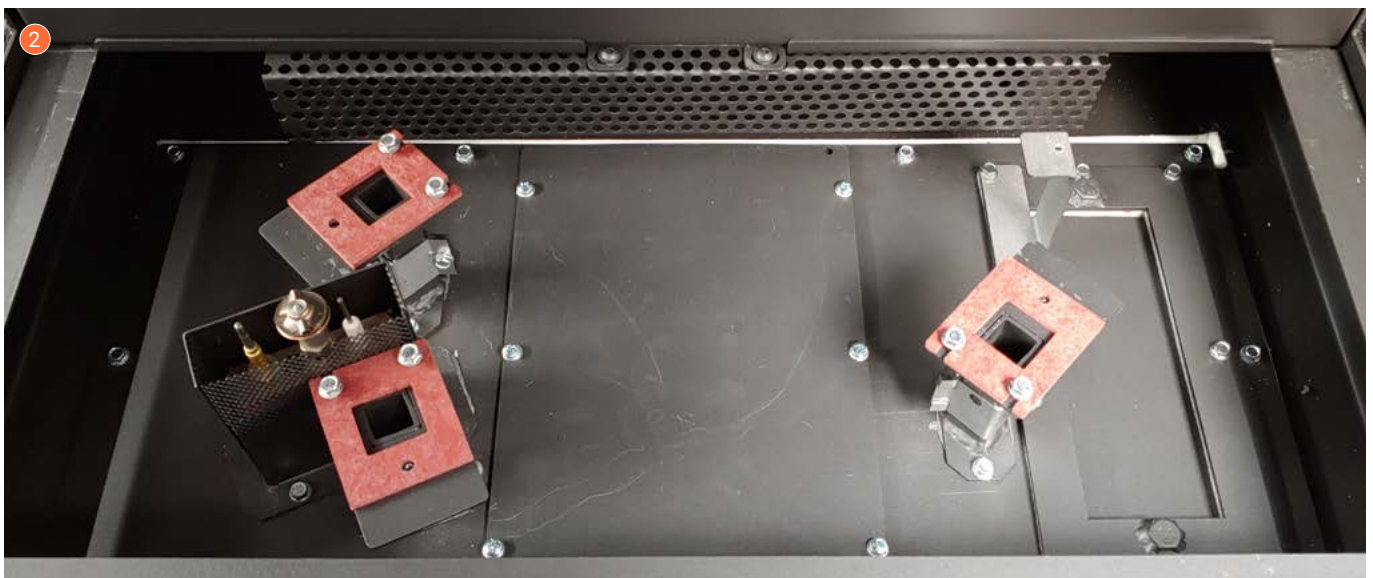
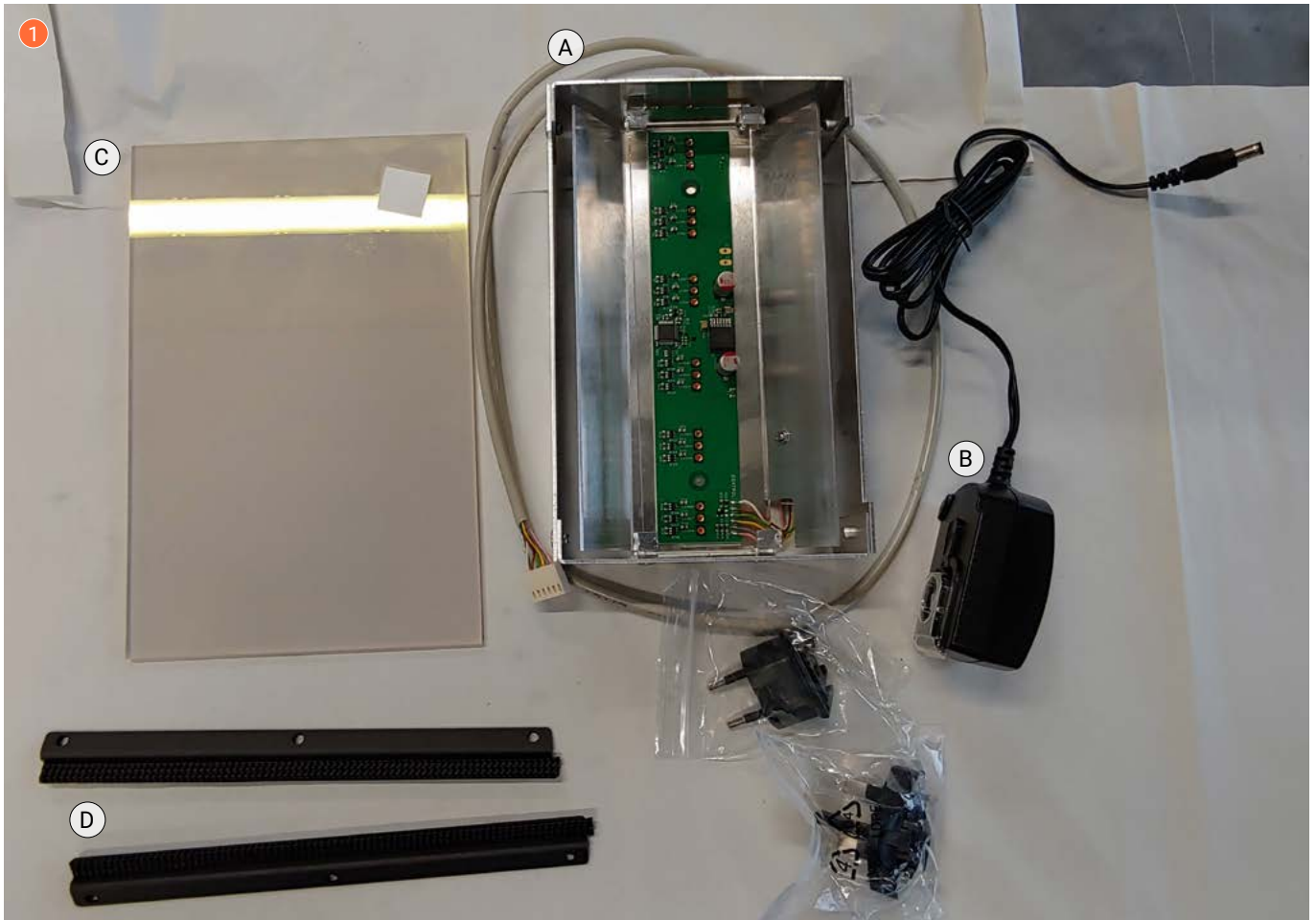
## 6 FITTING THE LED GLOW BED MODULE (OPTIONAL)

The LED glow bed module **1** consists of:

- A** LED unit
- B** Mains adapter
- C** Glass pane (one side is gloss, the other matte)
- D** Glassholders

### NOTE

Only use the supplied adapter.



Disassemble the burners and remove the burners and burner mesh from the appliance.

The burner mesh is equipped with extendable lifting brackets **2**. Remove the plate between the burner feet. **3 4**



Take the LED unit out of the packaging and guide the cable through the freed recess; then put the LED unit in place on the two supports of the convection housing.



Place the glass, smooth glossy side up, on top of the gasket and check the seal.



Fit the glazing bars on the glass and tighten the screws (not too tight to avoid breakage).

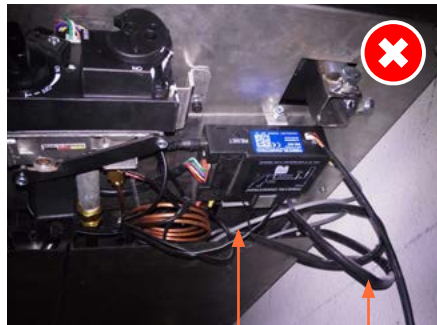


**⚠ WARNING**

The LED module cable must not touch the ignition cable. Beware of this during installation and after maintenance.



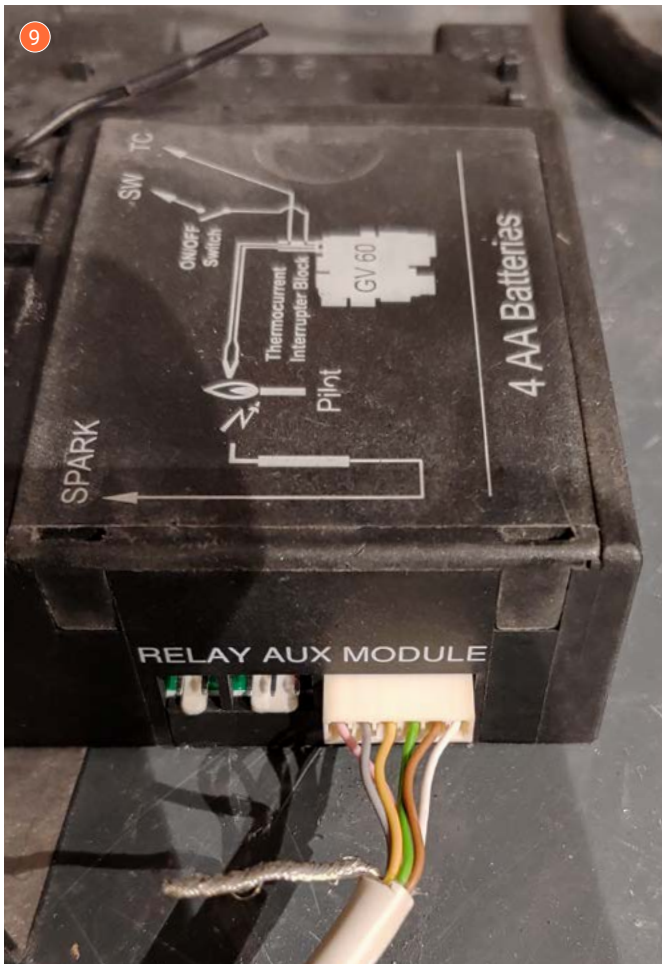
Ignition cable LED module cable



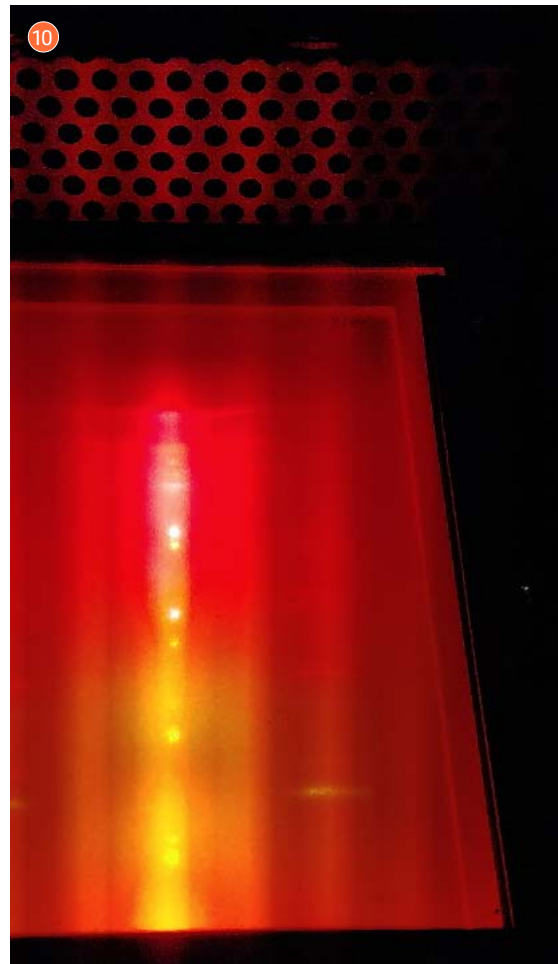
LED Ignition cable module cable



LED Ignition cable module cable



Connect the cable to the receiver and connect the receiver to the mains 230 V using the adapter supplied. Check the LED unit is working (see LED operation part of the user manual).



Example of working LED.

Place the burner mesh and burners in the correct position, check the gaskets are not damaged, ensure a 100% seal of the burners.

## 6.1 AR glass (Optional)

AR glass is a non-reflecting glass. This glass has an AR coating on both sides of the glass. The anti-reflection layer reduces the reflection to a minimal gloss.

### NOTE

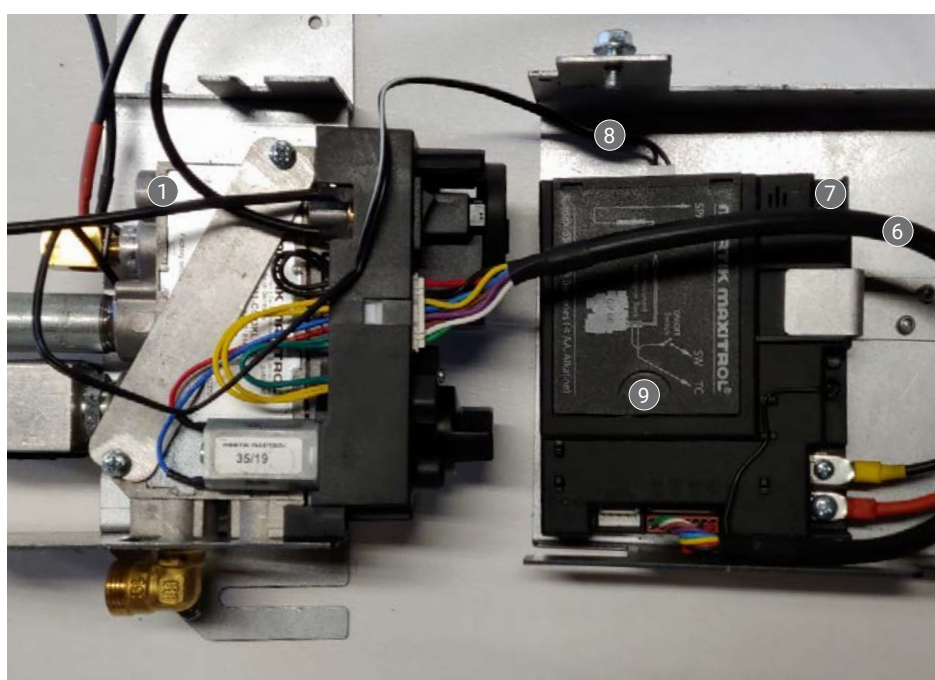
- The AR glass with coating is more sensitive to damage than normal glass.
- Always wear soft cotton gloves when removing and installing AR glass.
- The rubber suction cup(s) must be clean.
- If the dismantled glass panel is damaged (scratches and/or damaged edges) do not use the glass pane; notify the supplier.
- Use the thermoCet cleaner set to clean the AR glass. Other cleaning agents can damage the AR glass coating.
- Do not use hard (abrasive) sponges, steel wool, abrasives and/or cleaning agents containing ammonia, (citric) acid or ceramic hob cleaner.
- Do not leave any residue, such as fingerprints, behind. These will burn in and cannot be removed.

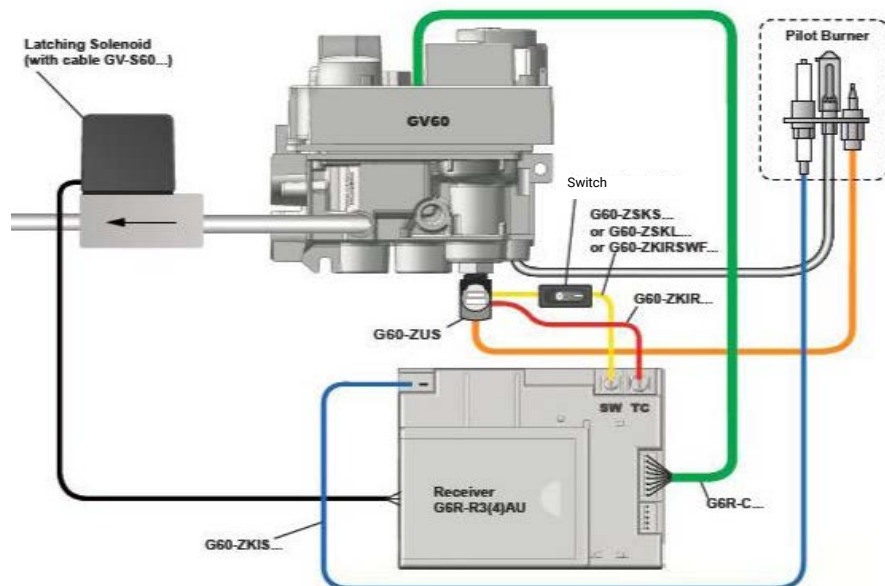
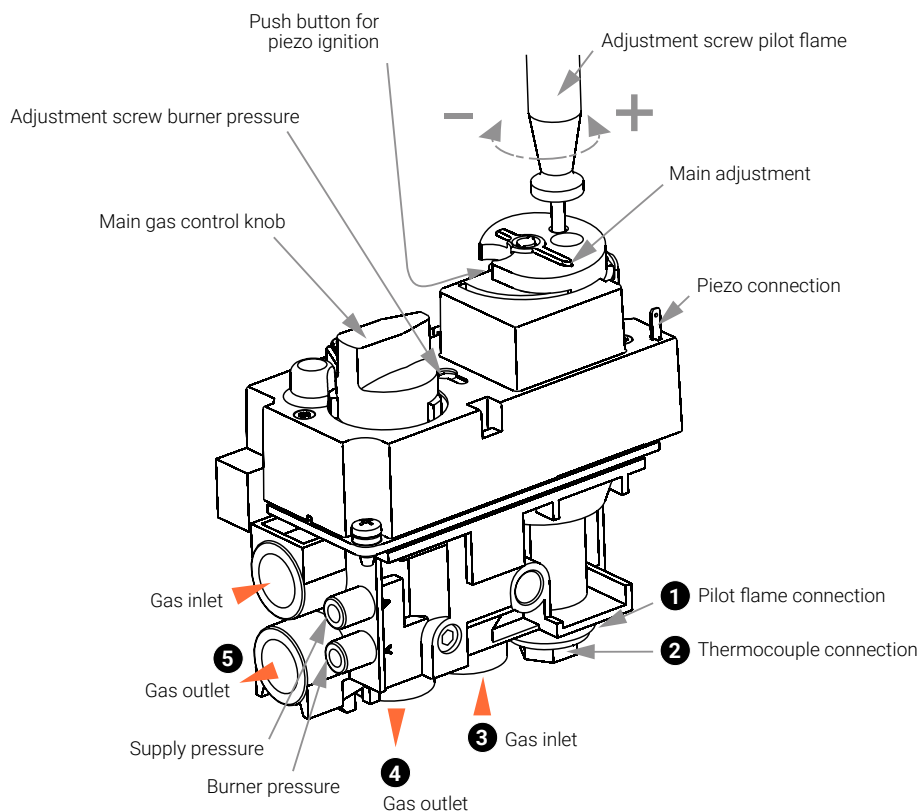
### IMPORTANT

After lighting for the first time, a haze may form on the inside of the glass panel. When the appliance has cooled down after the first use, the glass must be cleaned immediately. The glass must be cleaned again after the appliance has been in use for a month. After this, the amount of cleaning can be determined depending on the frequency of use of the appliance. Bear in mind that the glass can become dull if it is not cleaned in good time. Cleaning then becomes more difficult.

## 7 TECHNICAL DETAILS MAXITROL GV60

<b>Gas valve type</b>	Maxitrol GV60	
<b>Burner control</b>	B6R-R8P (WiFi-Ready)	
<b>Ignition</b>	Remote control operation and piezo ignition	
<b>Gas connection</b>	<ul style="list-style-type: none"> <li>❶ Pilot burner connection</li> <li>❷ Thermocouple connection</li> <li>❸ Gas inlet 3/8" externally</li> <li>❹ Rear burner/outer burner gas outlet</li> <li>❺ Front/centre burner gas outlet</li> </ul>	<ul style="list-style-type: none"> <li>❻ Multi-cable</li> <li>❼ Ignition cable connection point</li> <li>❽ Double burner connector</li> <li>❾ Receiver</li> </ul>
<b>Unit category</b>	C11-C31-C91	
<b>Pilot flame</b>	SIT 3 flames	
<b>Security</b>	Thermocouple principle	





Schematic diagram.

**⚠ WARNING**

Sealed parts must not be adjusted.

## 8 INSTRUCTIONS FOR MAXITROL GV60

### ⚠ WARNING

- Ensure the fuel supplied to the appliance is clean and free from particles and moisture.
- The appliance must not be turned on if the glass pane(s) is not present and/or is broken.

Before a gas supply pipe (new or existing) is connected to the main gas pipe at the gas meter and to the gas valve of the appliance, clean and dry compressed air needs to have been blown through it. Copper and aluminium pilot flame pipes that have been cut must be deburred and blown clean before they are connected.

### Heat, moisture and dust are a threat to all electronic components

Protect the electronic gas control until all construction, plastering and paintwork has been completed. If you cannot avoid this work, then protect the control against dirt and moisture penetration by covering it with plastic film for instance.

### ⚠ WARNING

- Electronic components become permanently faulty when they are exposed to temperatures higher than 60°C. Normal AA batteries will crack open at temperatures >54°C and the battery contents will damage the electronic switches below. Batteries have the longest life span at <25°C.
- Only install the gas valve and receiver as pre-installed at the factory.
- Remember that components may have to be replaced or that repairs may have to be performed at a later date. This may prove to be more difficult if the control is installed in a different way to how we have described in instructions.

### Only insert the batteries after the receiver, gas valve and pilot flame have been wired.

Premature connection to the power source can damage the electronics. In the version with the LED module, inserting the batteries is not permitted. Use the mains adapter supplied with the LED module.

### 🔧 NOTE

Batteries must not be fitted in the receiver when using the power adapter.

### Ensure the ignition cable is not near the antenna wire and that they do not cross each other.

The high voltage released during ignition may damage the sensitive receiver circuit of the antenna. This could mean the appliance becomes less responsive or totally unresponsive to commands from the handset.

### Ensure the ignition cable is not near the antenna wire and that they do not cross each other.

The high voltage released during ignition may damage the sensitive receiver circuit of the antenna. This could mean the appliance becomes less responsive or totally unresponsive to commands from the handset.

### 🔧 NOTE

- Do not tighten the contact breaker and the thermocouple connection too tightly on the gas valve.
- It is sufficient to tighten by hand and add a half a turn with an open-end spanner. Tightening too much will break the connection to the magnetic coil below and/or the insulation around the aluminium contact pin in the contact breaker. This may cause the magnetic coil to not open the gas supply to the pilot flame and prevent the appliance from functioning.

Extend the supplied thermocouple with just the original extension. (Available from your supplier) Unauthorized extension of the thermocouple has the effect of stress reduction, thereby the magnetic coil can not be activated.

Prevent leakage of ignition spark to parts of the installation other than the ignition rod on the pilot flame. Ensure the ignition cable is not in contact with the body or other metal parts. If a cable extension is used, ensure the connections have additional silicone insulation.

The receiver and the control units on the gas valve should be switched on to ensure automatic start-up via the remote control. The oval disc on the gas valve should be turned to the **ON** position. The **I/O** switch should be set to **I**. The ignition cable should be connected to the **SPARK** connection point on the receiver.

The system's thermostat sensor is located inside the remote control. The remote control operates best at a distance of 2 or 3 metres away from the appliance. Although communication occurs via shortwave radio signals, it is recommended that you place the remote control in the line of sight of the gas appliance, in a place where the user wishes to experience a pleasant temperature. Do not place the manual transmitter in direct sunlight or other warm locations. The thermostat measures the temperature and, accordingly, regulates the flame size of the gas appliance.

### 🔧 NOTE

- Sealed parts must not be adjusted, to do so would void the warranty.
- A waiting time of 5 minutes between each start attempt must be observed.
- Remove batteries not with a metal tool. Removing batteries with a metal object can permanently damage the electronic control.



## 9 GAS-TECHNICAL SPECIFICATIONS

Type of indication(s)		Trimline 64 Front/Panoramic/Corner (1186-1193)			
Appliance type		C11, C31, C91			
Concentric extraction system		Holetherm CC 130-200/CC 100-150			
Gas type		G25.3	G20/25	G20	G20↔25
Supply pressure in mbar		25	20	20	20↔25
Country		NL	DE	AT/CH/CZ/DE/DK/EE/ES/ FI/GB/GR/HR/IE/IT/LT/LU/ LV/NO/PL/PT/RO/SE/SI/ SK/TR	BE/FR
Category		I <sub>2</sub> EK I <sub>2</sub> (43,46-45,3 MJ/m <sup>3</sup> )	I <sub>2</sub> ELL	I <sub>2</sub> H/-/I <sub>2</sub> E	I <sub>2</sub> E*
Primary air per burner	mm	Left (Ø4+Ø4,5) Middle (Ø5+Ø5) Right(Ø4+Ø4,5)			
Supply pressure	mbar	25	20	20	20↔25
Burner pressure - high position	mbar	14,6	11,9	11,9	11,9   14,7
Burner pressure - low position	mbar	8	6,4	6,6	6,6   8
Injector orifice	Ømm	L1,55 M1,7 R1,55			
Pilot flame injector	CODE	51	51	51	51
Low position orifice	mm	Adjustable	Adjustable	Adjustable	Adjustable
Load Hs	kW	10	8,7	10,5	10,5
Load Hi	kW	9	7,8	9,5	9,5
Gas consumption	m <sup>3</sup> /h	1,081	0,959	1,003	1,003
Nominal power - high position	kW	7,4	6,4	7,7	7,7
Nominal power - low position	kW	3	2,6	3,2	3,2
NOx Hi EN613	classe	5	5	5	5
Efficiency Class EN613		2	2	2	2
<b>Useful return (NCV) system**</b>					
For nominal heat output	%	82	82	82	82
For minimal heat output	%	70,1	69,9	70,3	70,3
<b>Supplementary electricity consumption</b>					
Nominal	kWh	0,0072	0,0072	0,0072	0,0072
Stand-by	kWh	0,0003	0,0003	0,0003	0,0003
<b>Energy efficiency***</b>					
Energy efficiency index (EEI)	%	82	82	82	82
Energy label		B	B	B	B
NOx Hs	mg/kWh	109	118	121	121
<b>Heat output type/room temperature control</b>					
Indirect heat functionality					No
Single stage heat output, no room temperature control					No
2 or more manually-adjustable stages, no control of the room temperature					No
With mechanical control of room temperature by thermostat					No
With electronic control of room temperature					Yes
With electronic control of room temperature plus day-time switch					Yes
With electronic control of room temperature plus week-time switch					Yes
<b>Other control options</b>					
Control of room temperature with presence detection*					Yes
Control of room temperature with open window detection*					Yes
With remote control option					Yes

\* In combination with home automation

\*\* Shortest system path

\*\*\* EU directive 2015-1186/1188

Type of indication(s)		Trimline 64 Front/Panoramic/Corner (1186-1193)	
Appliance type		C11, C31, C91	
Concentric extraction system		Holetherm CC 130-200/CC 100-150	
Gas type		G30/G31	G30
Supply pressure in mbar		(28-30)-37	30/50
Country		BE/CH/CY/CZ/ES/FR/GB/GR/IE/IT/LT/PT/SI/TR/	NL/AT/CH/CY/CZ/DE/DK/EE/FI/GR/HR/HU/IT/LT/NO/PL/RO/SE/SI/TR
Category		I3+	I3B/P
Primary air per burner	mm	L=2*Ø11+2*Ø12 M=4*Ø15 R=2*Ø11+2*Ø12	L=2*Ø11+2*Ø12 M=4*Ø15 R=2*Ø11+2*Ø12
Supply pressure	mbar	(28-30)-37	30/50 If burner pressure is 50 mbar, make corrections
Burner pressure - high position	mbar	23,68	23,68
Burner pressure - low position	mbar	7,63	7,63
Injector orifice	Ømm	L=1,05 M=1,15 R=1,05	L=1,05 M=1,15 R=1,05
Pilot lame injector	CODE	30	30
Low position orifice	mm	Adjustable	Adjustable
Load Hs	kW	12,15	12,15
Load Hi	kW	11,22	11,22
Gas consumption	m³/h	0,348	0,348
Nominal power - high position	kW	9,2	9,2
Nominal power - low position	kW	2,79	2,79
NOx Hi	classe	5	5
Efficiency Class EN613		2	2
<b>Useful return (NCV) system**</b>			
For nominal heat output	%	82	82
For minimal heat output	%	67	67
<b>Supplementary electricity consumption</b>			
Nominal	kWh	0,0072	0,0072
Stand-by	kWh	0,0003	0,0003
<b>Energy efficiency***</b>			
Energy efficiency index (EEI)	%	82	82
Energy label		B	B
NOx Hs	mg/kWh	127	127

Heat output type/room temperature control	
Indirect heat functionality	No
Single stage heat output, no room temperature control	No
2 or more manually-adjustable stages, no control of the room temperature	No
With mechanical control of room temperature by thermostat	No
With electronic control of room temperature	Yes
With electronic control of room temperature plus day-time switch	Yes
With electronic control of room temperature plus week-time switch	Yes
<b>Other control options</b>	
Control of room temperature with presence detection*	Yes
Control of room temperature with open window detection*	Yes
With remote control option	Yes

\* In combination with home automation

\*\* Shortest system path

\*\*\* EU directive 2015-1186/1188

Suitable for biopropane.



# 10 CONCENTRIC PATHWAYS

Table of concentric pathways						
Pathway	Illustration	X total in metres		Y total in metres		Restriction
		Min.*	Max.*	Min.*	Max.*	
<b>X = vertical and Y = horizontal</b>						1186-1193
Indirect façade outlet G20/25/25,3 <i>Reducer after 1st bend 200/130</i>	G	1	3	0	0,5	See restriction conditions
Indirect façade outlet G20/25/25,3	A-B	1	3	0	5,5	See restriction conditions
Indirect façade outlet G30/G31	A-B	1	3	0	5	See restriction conditions
Roof pass-through without slope	C	2	12	-	-	See restriction conditions
Roof pass-through with 45° slope**	D	1	12	0	4	From X total - Y > 6 meter: 55mm
Roof pass-through with 90° slope***	E	1	12	0	3	From X + X1 - Y > 6 meter: 55mm
Roof pass-through with 90° slope*** <i>Reducer after 1st bend 200/130</i>	F	0,25	12	0	1	From X + X1 - Y > 6 meter: 50 mm NG/60 mm LPG

45° Bend: calculation length 1 metres, 90° Bend: calculation length 2 metres

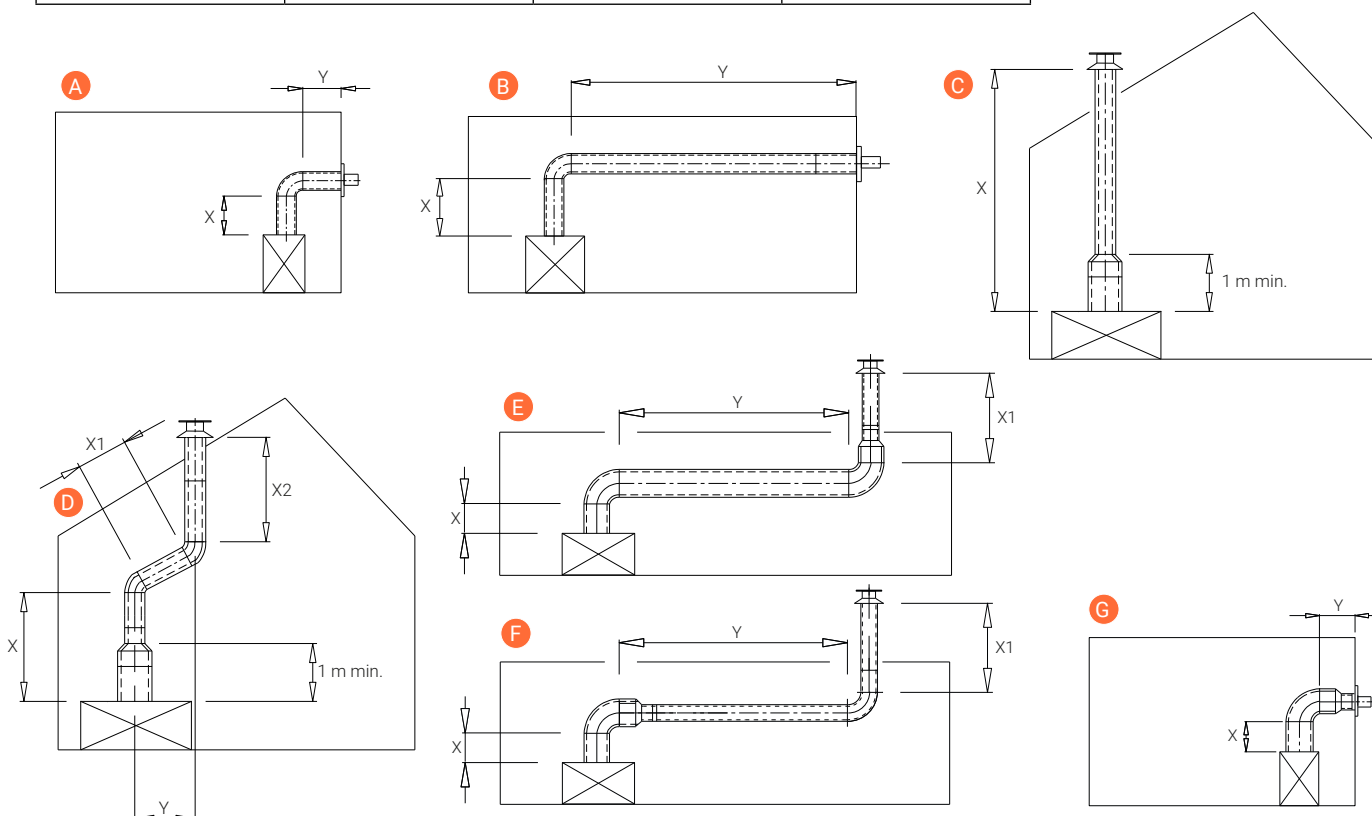
\* Length including roof or exterior wall outlets. Always adhere to a starting length of 1 metre

\*\* Ratio vertical : horizontal X + X1 + X2: Y ≥ 2: 1

\*\*\* Ratio vertical : horizontal X + X1: Y ≥ 2: 1

Restriction conditions all gas types			
Vertical lay out NG			
Distance	Recirculation restrictor	Flue restrictor	Supply restrictor
2-6m	Closed	Yes	50mm
6-12m	Closed	Yes	80mm
Vertical lay out LPG			
2-6m	Open	Yes	60mm
6-12m	Open	Yes	80mm
Horizontal lay out			
G20/25/25,3 horizontal sections up to 5,5 meter including wall ducts			
1 m 90° and 0,5m	Closed	Yes	50mm
1 m 90° and 5,5m	Closed	No	0mm
G30/31 horizontal sections up to 5,5 meter including wall ducts			
1 m 90° and 0,5m	Closed	Yes	60mm
1m 90° and 5,5m	Closed	No	No

Pilot light cap	
NG version	Yes
LPG version	No



# 11 CONCENTRIC FLUE SYSTEM

The concentric flue system is composed of an inner flue and an outer flue. These flues have been set up concentrically so the combustion gases will be discharged via the internal flue while the fresh combustion air is supplied via the gap between the inner and outer flues.

## 11.1 Components of the concentric flue system

Different connections are possible using the concentric flue system. These are:

### Through the roof face and through the exterior wall

The pathway used for this system can be laid in different ways, but there are a few important conditions:

- The total allowed vertical flue length must not exceed 12 metres (the sum of the flue length and calculation lengths for the bends). See chapter 10 *Concentric pathways*.
- 90° bends have a 2-metre horizontal calculation length.
- 45° bends have a 1-metre horizontal calculation length.
- The outlet can be installed at any point on the roof face or exterior wall (supply and discharge in an identical pressure area), but must meet applicable regulations.
- Flue pathways must not be insulated.

#### NOTE

- Ensure the restrictor is mounted in the correct manner, as indicated in these instructions.
- The correct restrictor will provide the appliance with the most optimal efficiency, flame image and combustion.
- Mounting an incorrectly placed restrictor may cause malfunction of the appliance.

## 11.2 Construction of concentric flue system

### Indirect wall connection

- The outlet may also be installed in an upwards exhaust in the wall, taking any hindrance to the surrounding area into consideration, in accordance with local standards and regulations.

#### NOTE

Ensure wind pressure on the outlet is not excessive, such as in locations with a balcony, flat roof, corners and very narrow alleys, etc., as this can negatively affect the performance of the appliance.

- Make a recess in the façade of around 155mm or 205mm when using respectively Ø100-150 and Ø130-200 flues (keep an extra space of 50mm in a refractory façade around the outer tube) and fit the façade pass-through with the wall plate on the inside of the wall. The wall plate of the exterior façade pass-through must be sealed sufficiently against the wall on the outside to avoid moisture and/or flue gas leaks leaking into the living space.

- The flue should be encased if necessary. Even if the flue is to be installed along non-refractory materials, sufficient fire-resistant measures must be taken.
- Determine the position of the appliance and outlet and begin construction of the flue with the connection on the appliance, paying attention to the direction of installation and connecting the elements by means of clamp strips.
- An adjustable pipe can be used between the bends or when connecting to the appliance. If necessary, use wall brackets to support the flue.

### Mounting using the roof pass-through option

- The flue outlet can be located at any random place on the roof face (supply and exhaust in identical pressure areas) and must meet the applicable rules and regulations.
- A roofing sheet for a flat roof or a roofing for sloping tiled roofs can be used for a watertight duct. Use various bends for the slope, if required. The recess in the roof decking should be 50mm larger all around to ensure sufficient fire resistance.
- One needs to take into account the regulation regarding fire resistance between rooms. (For this, see the applicable local standards and regulations.) A casing of fireproof material (for example, 12mm Promatect fire-resistant plate) should be applied up to 25mm from the outer flue.
- Determine the position of the appliance and the outlet and begin the construction of the flue with the connection on the appliance (always 1 metre vertical first) pay attention to the direction of installation. The inner flue must be installed for draining purposes. Connect the elements using the clamping straps. Ensure all connections are gastight.
- An adjustable pipe can be used between the bends or when making the connection to the appliance and/or the roof pass-through. Use 2 wall brackets to support the flue on each floor.

## 11.3 Installation instructions regarding existing flues

### APPENDIX 3

### Instructions

The flue gas exhaust system falls within category: C91 and must be built in accordance with national rules and regulations and the instructions of the manufacturer, as specified in the documentation and installation instructions. This means, among other things, that the chimney pass-through must not be smaller than 150mm round/square, but no larger than 200mm, and not ventilated by grilles, etc. In the case of larger chimney pass-throughs, a flexible hose of around 150 mm may possibly be used in combination with a flexible hose of around 100mm, as described below. For other situations, consult your supplier.

## 11.4 Parts

Check all parts for damage before commencing the installation. For the conversion of a brick flue to concentric flue, connected to CC flue system, you need the components described in [APPENDIX 3](#).

### NOTE

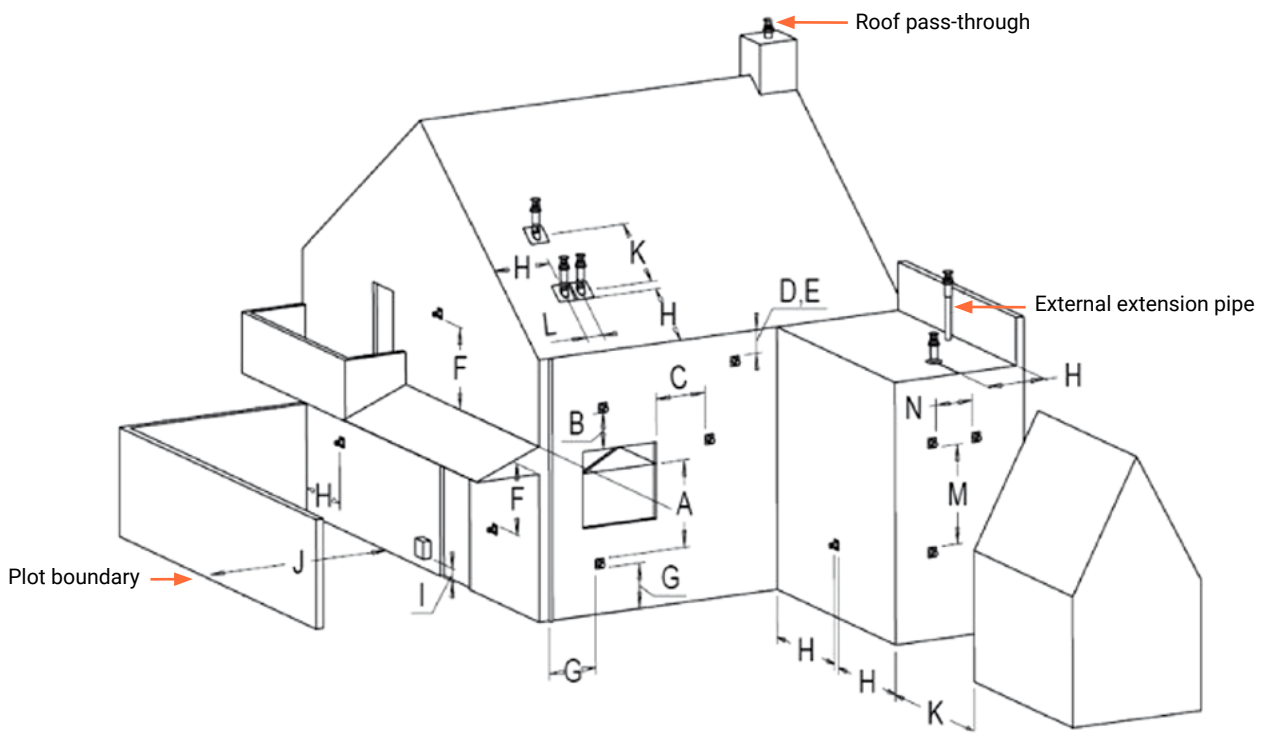
The renovation/sanitation set consists of parts:

- ③ Interior mounting plate
- ④ Sliding element
- ⑦ Chimney mounting plate

## 11.5 Installation

- Guide the flexible hose ⑤ through the existing flue ⑥.
- Attach the slider ④ to the bottom of the flexible hose and secure this in place using two Parker screws.
- Keep the bottom of the slider at the same height as the bottom of the flue or ceiling.
- Shorten the flexible hose to approximately 100mm above the chimney coping.
- Attach the mounting plate to the flexible hose on the roof ⑦, clamp it with a hose bracket. Stainless steel Ø90 to 165, secure the whole with Parker screws.
- Attach the mounting plate to the chimney coping watertight on the roof ⑦ using silicone sealant and stainless steel screws.
- Install the roof pass-through ⑨ and secure it in place using the supplied clamping strip ⑧.
- The slider ④ will protrude approximately 100mm underneath the flue or ceiling after installation.
- Attach the inner mounting plate ③ gastight against the bottom of the structural flue or against the bottom of the concrete floor using silicone sealant and screws.
- Position the appliance in accordance with the instructions of the appliance manufacturer
- Install a minimum of 1 metre of concentric flue type THC CC ①.
- Extend the concentric flue using sections up to a minimum of 100mm in the structural duct. Finally, turn the clamping strip by hand in the mounting plate inside ③.

## 12 PASS-THROUGH POSITIONS AND FUNCTION CORRECTLY



Dimensions	Outlet positions	Distance mm
A	Distance to ventilation openings	Room*
B	Distance to ventilation openings	Room*
C	Distance to ventilation openings	Room*
D	Lower gutter bottom pipes or exhaust lines	500
E	Under the eaves	500
F	Under a carport, roof or balcony, inside and outside corners	500
G	From ground level and rainwater drainage pipes	300
H	Inside and outside a corner	500
I	Above an external gas pressure regulator	1000
	Side of a gas pressure regulator	500
J	Conflict distance façade outlet	Room*
K	Roof drain centre to centre	1000
L	From the centre of both roof drains	450
M	Two wall drains above each other	1000
N	Two wall drains next to each other	1000

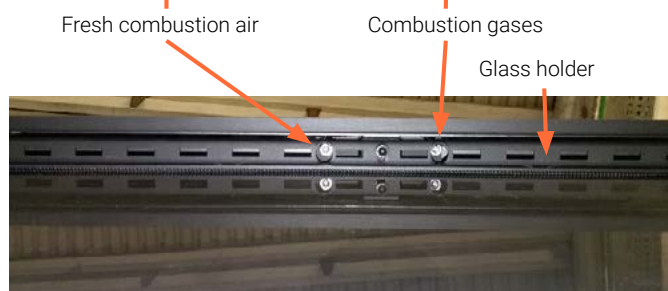
\* In accordance with local building codes

## 13 CLEANING AND MAINTENANCE

- The appliance must be checked and serviced by a recognised installer at least once a year. The glass is also cleaned during this process.
- It is advisable to clean the outside of the appliance regularly, both in and out of the heating season.
- Do not use aggressive or corrosive cleaning agents or sharp objects.
- The concentric flue system must be cleaned every 2 years.  
A check must be carried out on:
  - 1 seal of the flue and supply circuits
  - 2 seal of the upper and lower pressure release hatches of the appliance; check the gasket
  - 3 operation of the pressure release hatches; that they can open and close freely
  - 4 the operation of the gas valve and ignition of the burner

### Measuring points

The appliance is equipped with measuring points to analyse the combustion gases and fresh combustion air. This allows the appliance to be checked.



# 14 QUICK REFERENCE GUIDE FOR FAULTSSEARCH FOR ENCLOSED GAS FIRES USING MAXITROL GV60 GASCONTROL

Function	Possible cause	Solution
1. Acoustic signals	1 long beep → reset switch OFF (0)	Set switch to (I)
	1 long beep → connections not complete	Check connections in thermocouple circuit
	1 long beep → 8-core cable defective	Check connections in connector/replace 8-core cable
	1 long beep → micro switch defective	Replace gas valve
	1 long beep → Sync not OK	Carry out new sync procedure for remote control/receiver
	3 short beeps → power supply	Replace batteries or 6-VDC adapter
2. No reaction remote control/receiver	Power supply problem	Check batteries/6-VDC adapter
	No sync remote/receiver	Carry out sync procedure
	Distance between remote control/receiver	Change position of receiver
	Defective receiver	Replace receiver
	Faulty remote control	Replace remote control
3. No pilot light gas	GV60 DC magnet unit does not open (no clicking noise from gas valve)	Check wiring and breaker on thermocouple circuit Check/replace 8-core cable between remote control and gas valve 1 x sparks and stop: check ground cable under torx gas valve Replace receiver Replace gas valve
4. Poor/no spark	Spark cable loose	Check spark cable connections
	Short circuit between cable and metal	Check whether cable is free of metal parts
	Poor spark candle	Check spark candle for fractures, replace if necessary
	Distance of sparking candle to pilot light head	Check distance is approximately 4mm
5. Pilot light difficult to ignite	Gas supply pressure too high, nervous flame	Adjust gas supply pressure or adjust the pilot light pressure using the gas valve
	Gas supply pressure too low, short flame	Adjust gas supply pressure, check gas pipes, or adjust pilot light pressure using the gas valve
	Air in (pilot light) pipe, flame on/off	Blow pipes through, make air-free
	Injector blocked	Clean or replace pilot light injector
	Blocked/curved pilot light pipe	Check and clean pipe
	Pilot light head damaged	Check and replace pilot light
6. Pilot light goes out after ignition	Small pilot light, no flame on thermocouple tip	Check gas supply pressure, possibly too low
		Check pilot light injector and gas pipe
	Nervous pilot light flame, no flame on thermocouple tip	Check gas supply pressure, too high, adjust
		Adjust pilot light pressure on gas control block
		Air in pipes, vent
	Lazy pilot light, no flame on thermocouple tip	Check premix opening on pilot light, must be open
	Poor connections in thermocouple circuit	Check cables/breaker in thermocouple circuit
Check thermocouple connections in gas control block, do not over-tighten.		
Measure thermocouple circuit voltage 4.5mV minimum		
Bad thermocouple	Check open circuit voltage of thermocouple (18-30mV), replace if necessary	
Poor DC magnet unit in GV60	Replace gas valve	
7. Pilot light goes out when the fireplace is closed	False air along pilot light holder/gasket	Check pilot light holder and gasket for leaks
	False air hatches	Check pressure hatches/gasket is completely closed
	Main flame causes pilot light to go out	Check restriction/baffle in accordance with regulations

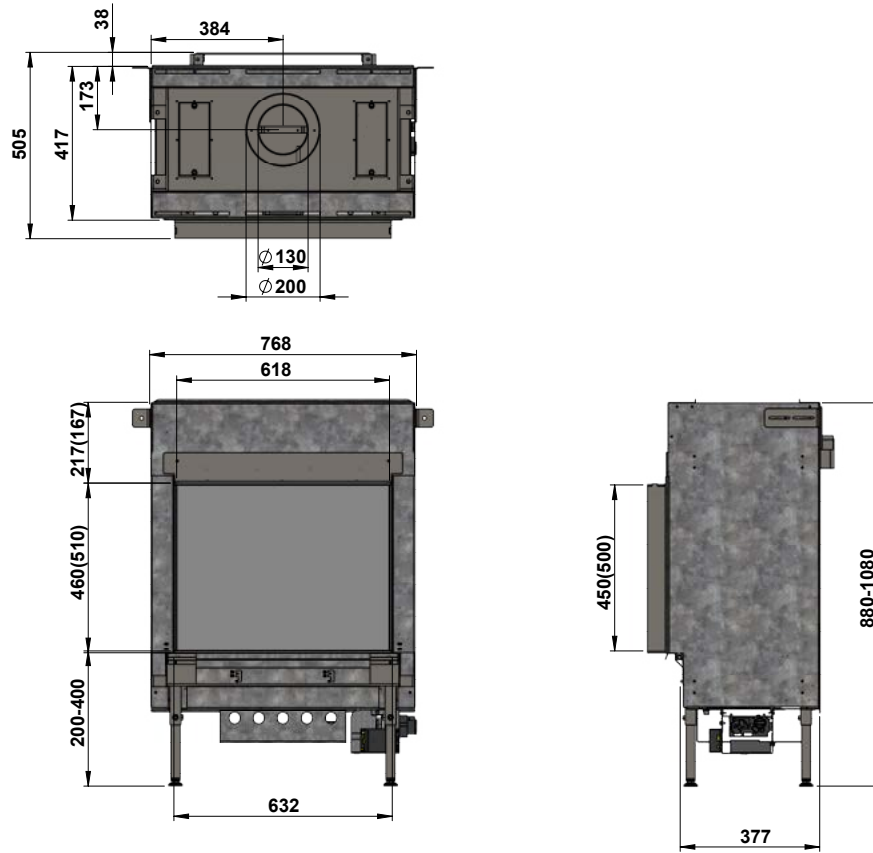


Function	Possible cause	Solution
8. Pilot light/main flame off	Gas pre-pressure has dropped	Check correct dimensions of gas pipe or blockage, correct
	Main burner ignition, 3 beeps, low power supply voltage	Check batteries or 6-VDC adapter
	Too much/little transport in unit/outlet	Check restriction/baffle situation in accordance with instructions.
	Concentric outlet pathway incorrect	Check outlet pathway in accordance with instructions
	Recirculation, façade/roof mouth position incorrect	Check outlet in accordance with instructions
	Recirculation in closed outlet system	Check outlet connections
9. Main burner does not start up	Gas control valve knob to MAN	Check gas control valve knob to ON
10. Delayed ignition of main burner	Pilot light burner blocked	Check logs, pebbles, etc. are in the right position. pilot light should be free of obstructions.
	Small/lazy pilot light	Check and correct pressure and physical state of pilot light burner
	Close main burner flame openings	Check and clean with a vacuum cleaner or similar device.
	Logs, etc. in wrong position	Check and correct, see instructions
11. Low main flame	Gas supply pressure too low	Check gas supply pressure and corrections
	Burner pressure too low	Check burner pressure, check instructions for correct values
12. No or little difference between high/low settings for main flame	Low position setting incorrect	Check and adjust low position in accordance with instructions
13. DB burner does not work	Defective step valve	Check whether clicking sound is perceptible, press button on remote control several times, replace valve if necessary
14. Sooty flame	Insufficient transport in unit/closed drainage system	Check restriction/baffle, follow instructions for correct value
		Check outlet system pathway in accordance with instructions
		Check outlet in accordance with regulations/instructions
	Excessive feed/burner pressure	Check and correct gas supply/burner pressure in accordance with instructions
	Blocked burner flame openings	Check and clean with a vacuum cleaner, for example
	Incorrect premix for main burners	Check and correct, see instructions
	Decorative logs, etc. in incorrect position	Check and correct, see instructions

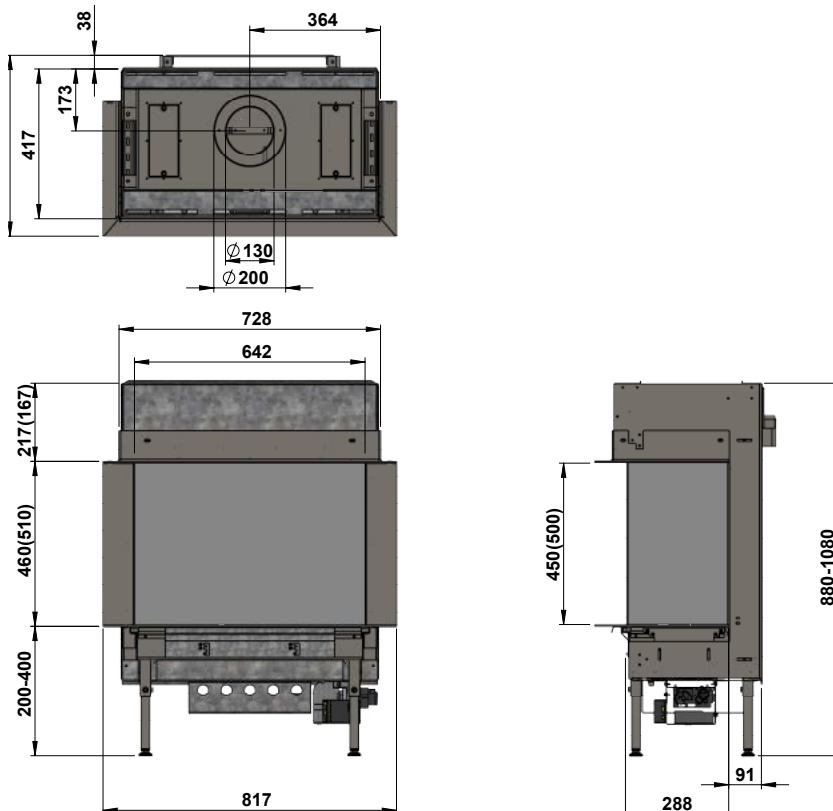
# Appendix 1 DIMENSIONAL DRAWINGS

Measurements in mm

## Trimline 64 Front DB



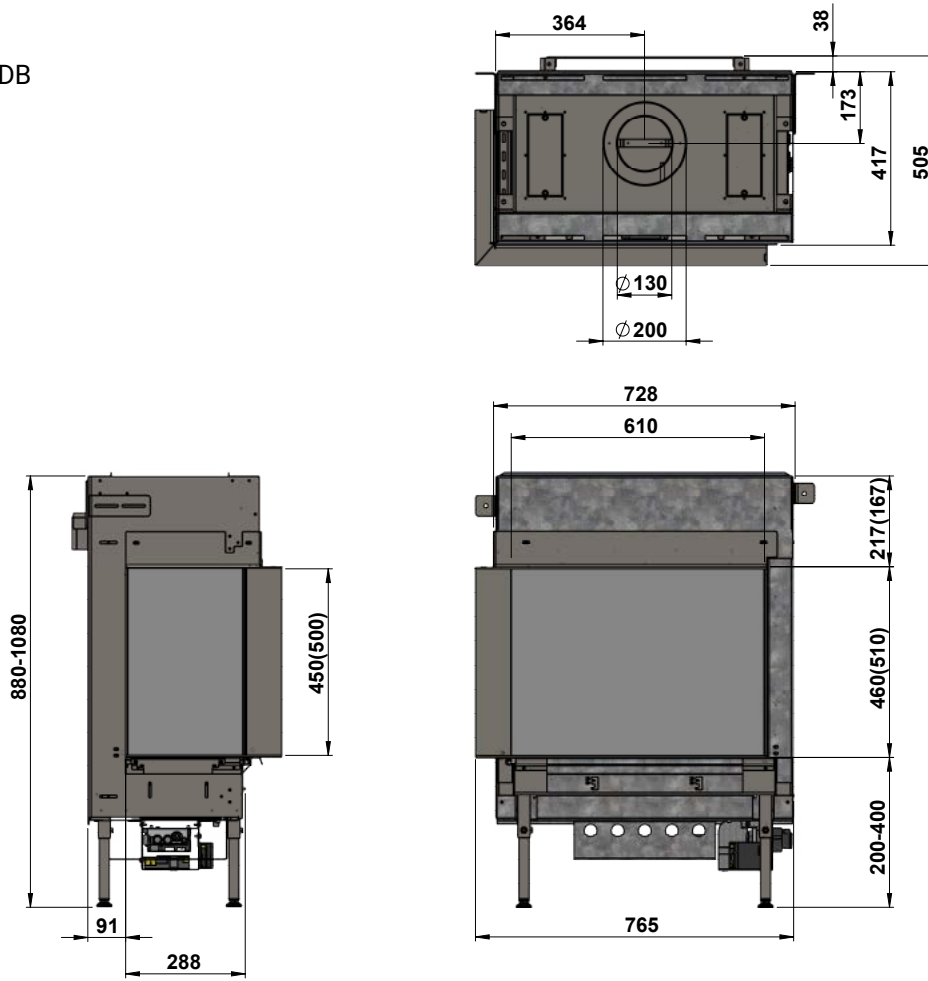
## Trimline 64H Panoramic DB



# Appendix 1 CONTINUED

Measurements in mm

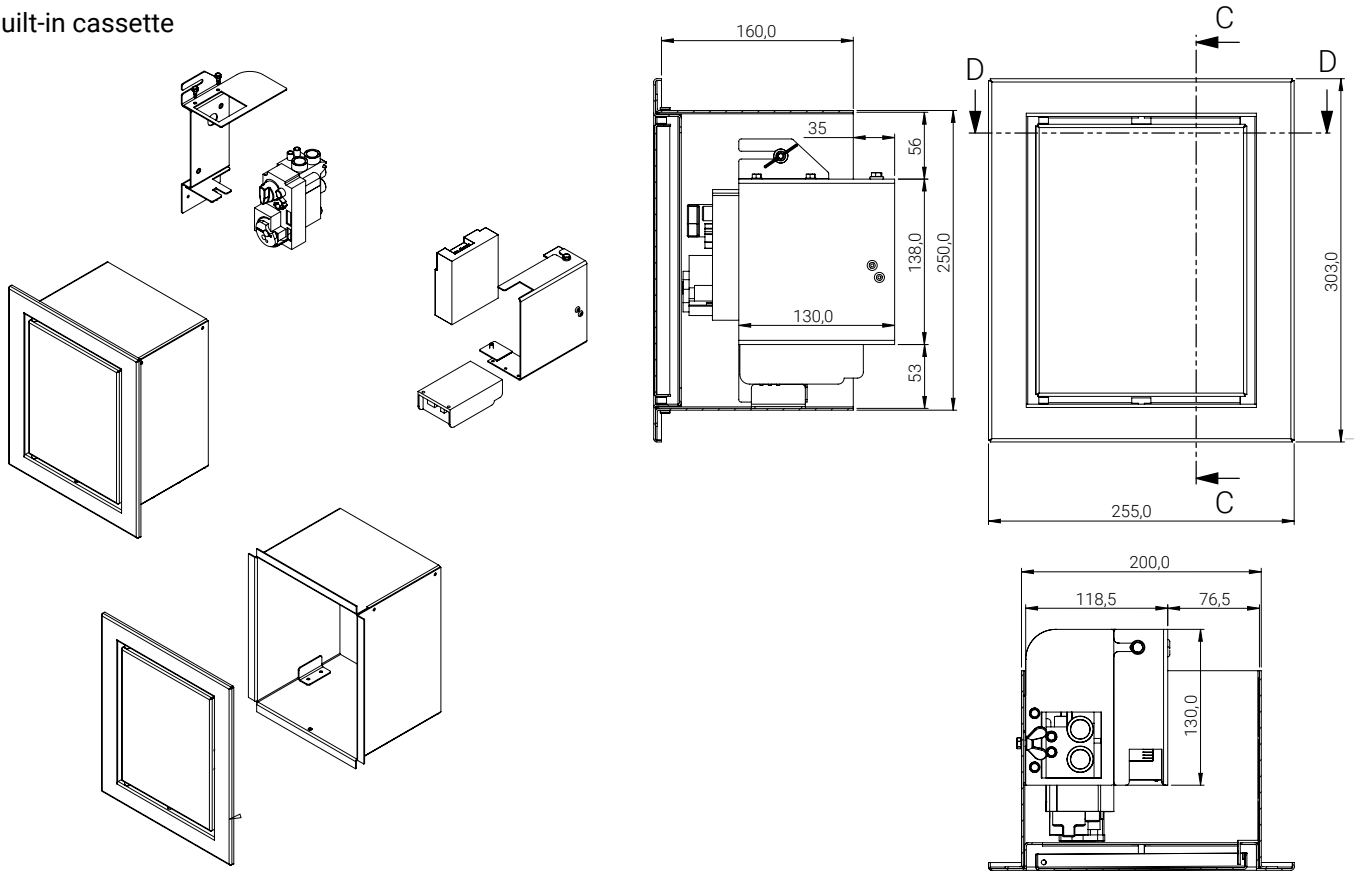
Trimline 64H Corner DB



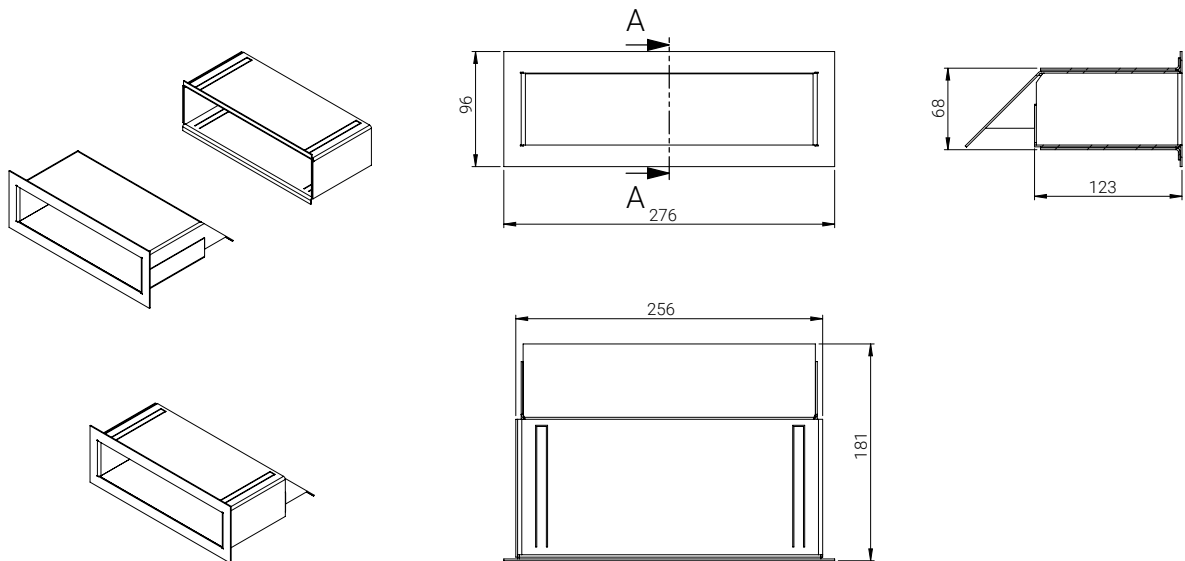
# Appendix 1 CONTINUED

Measurements in mm

## Built-in cassette

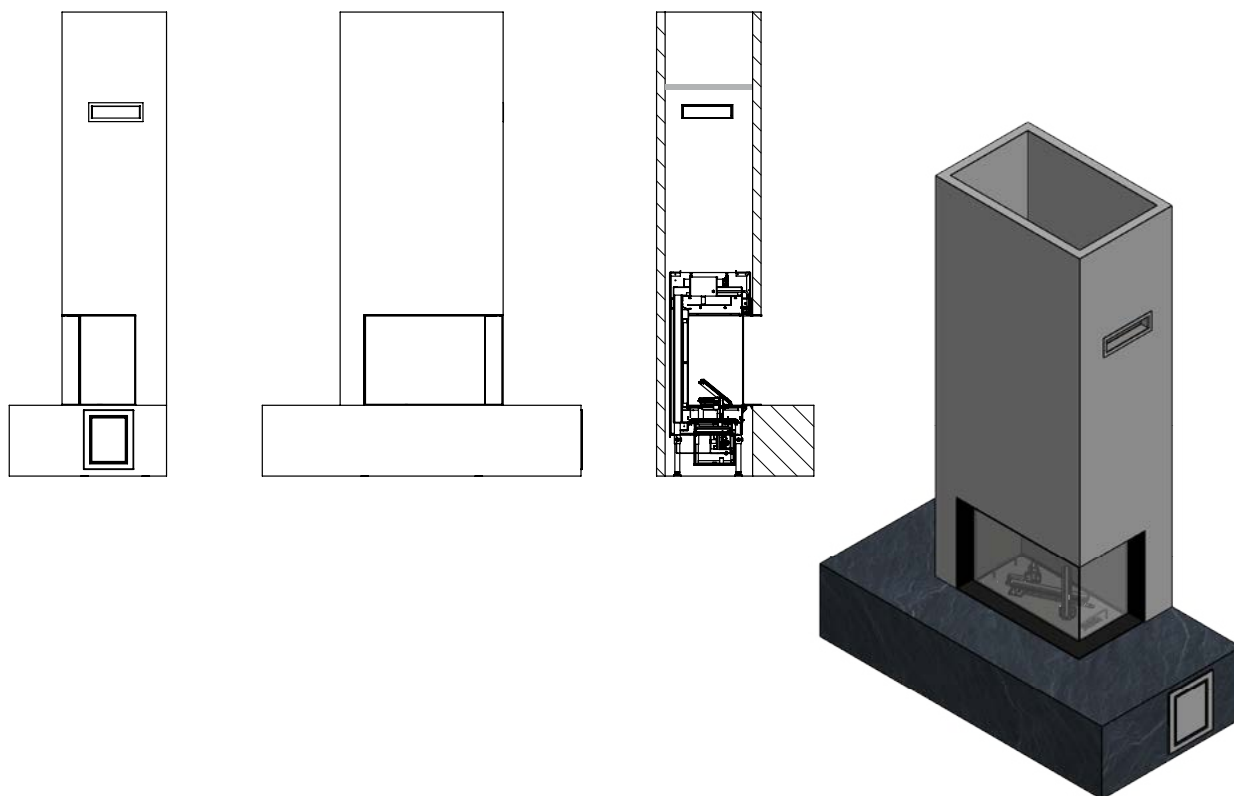


## Convection grilles

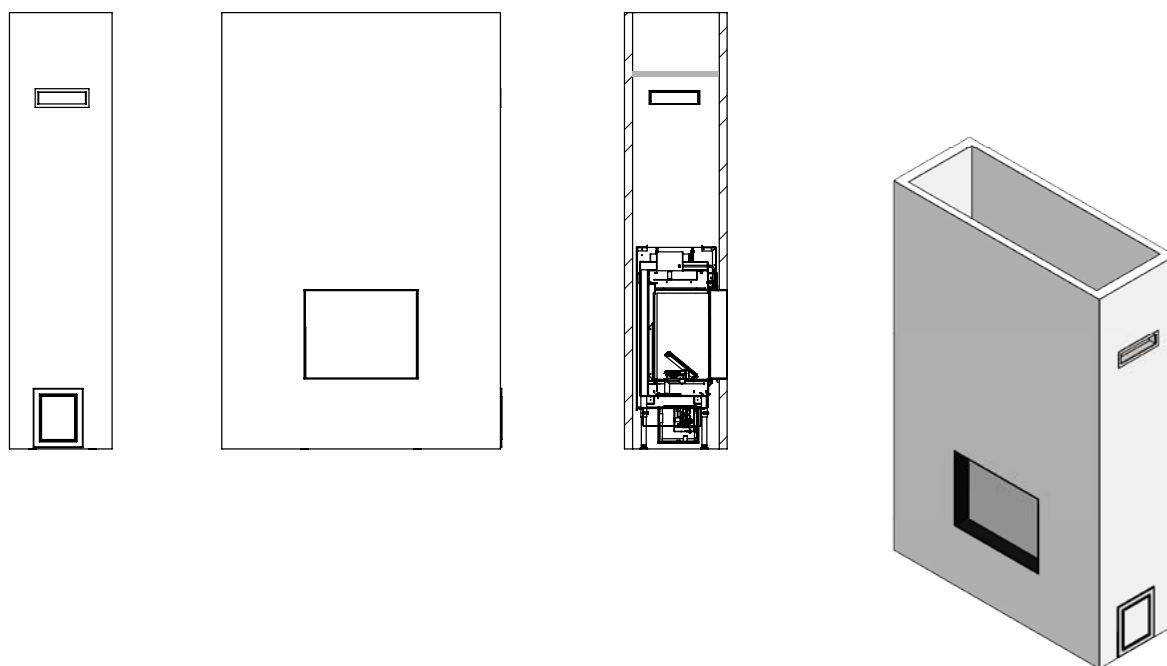


## Appendix 2 BUILT-IN EXAMPLES

Trimline 64H Corner DB

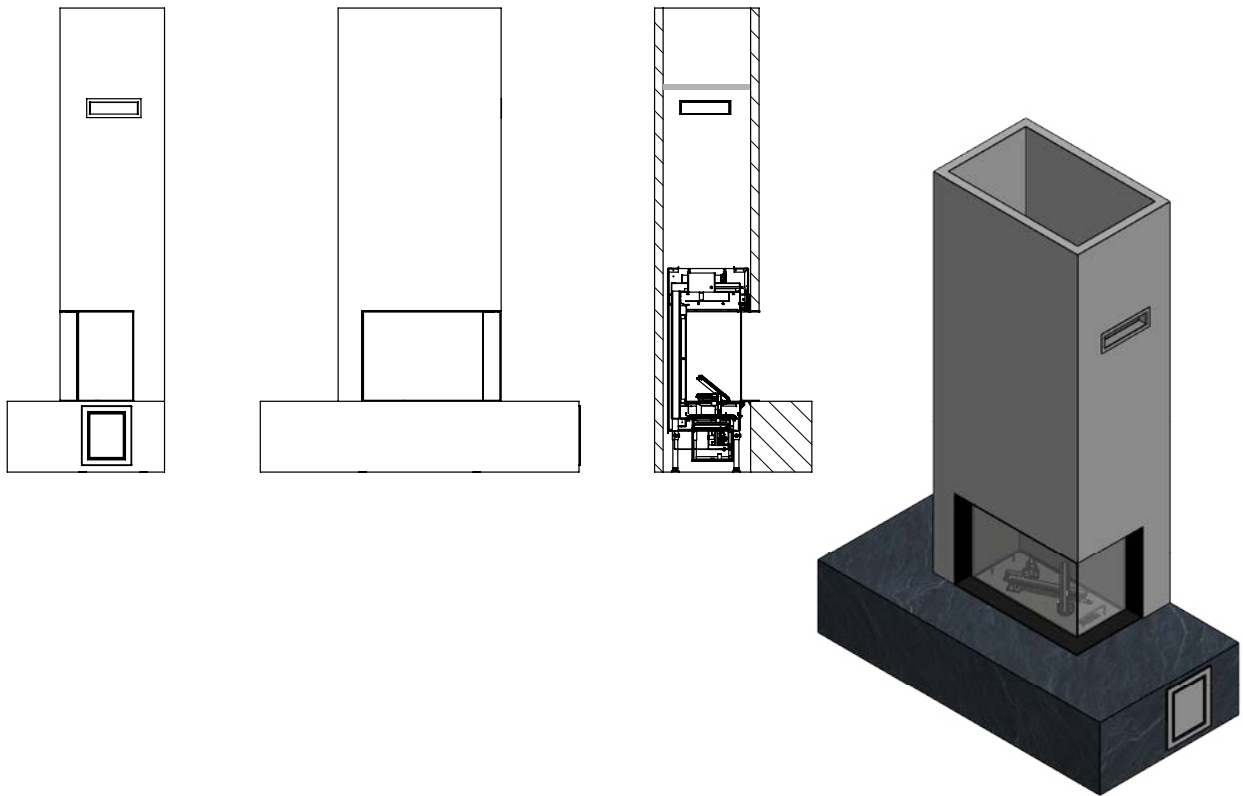


Trimline 64H Front DB



## Appendix 2 CONTINUED

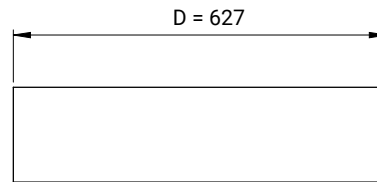
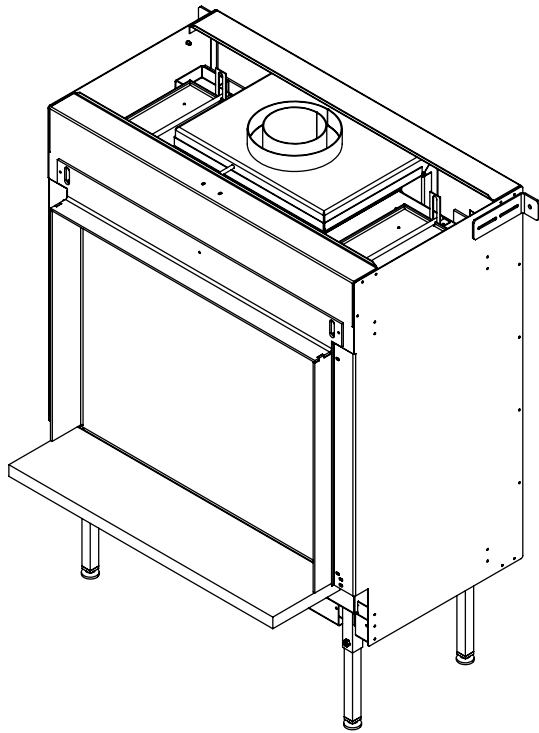
### Trimline 64H Panoramic DB



## Appendix 2 CONTINUED

Measurements in mm

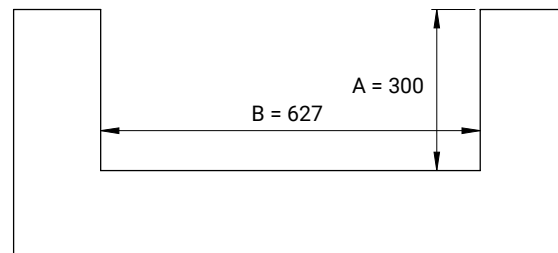
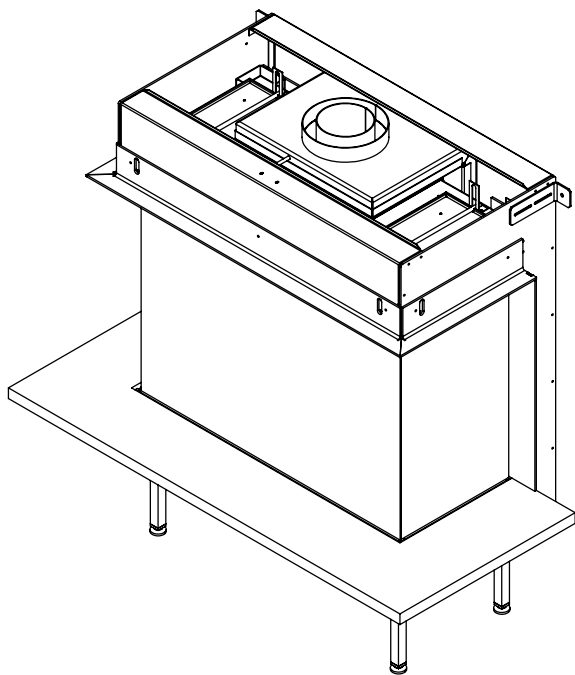
### Trimline 64 Front DB



**NOTE**

Size always to be checked on appliance.

### Trimline 64 Panoramic DB



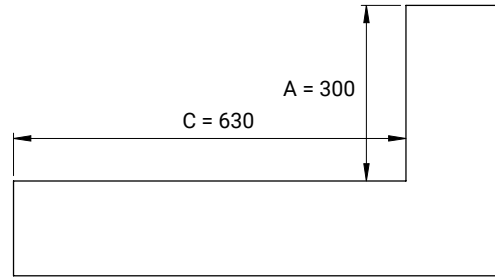
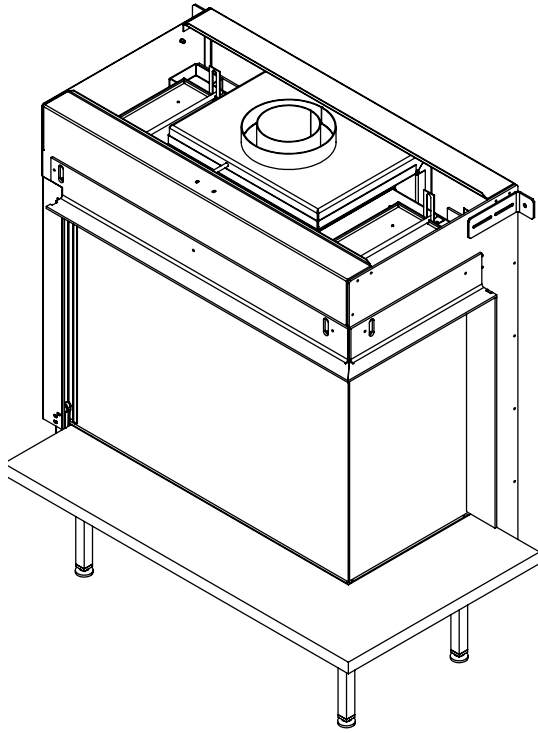
**NOTE**

Size always to be checked on appliance.

## Appendix 2 CONTINUED

Measurements in mm

Trimline 64 Corner DB



 **NOTE**

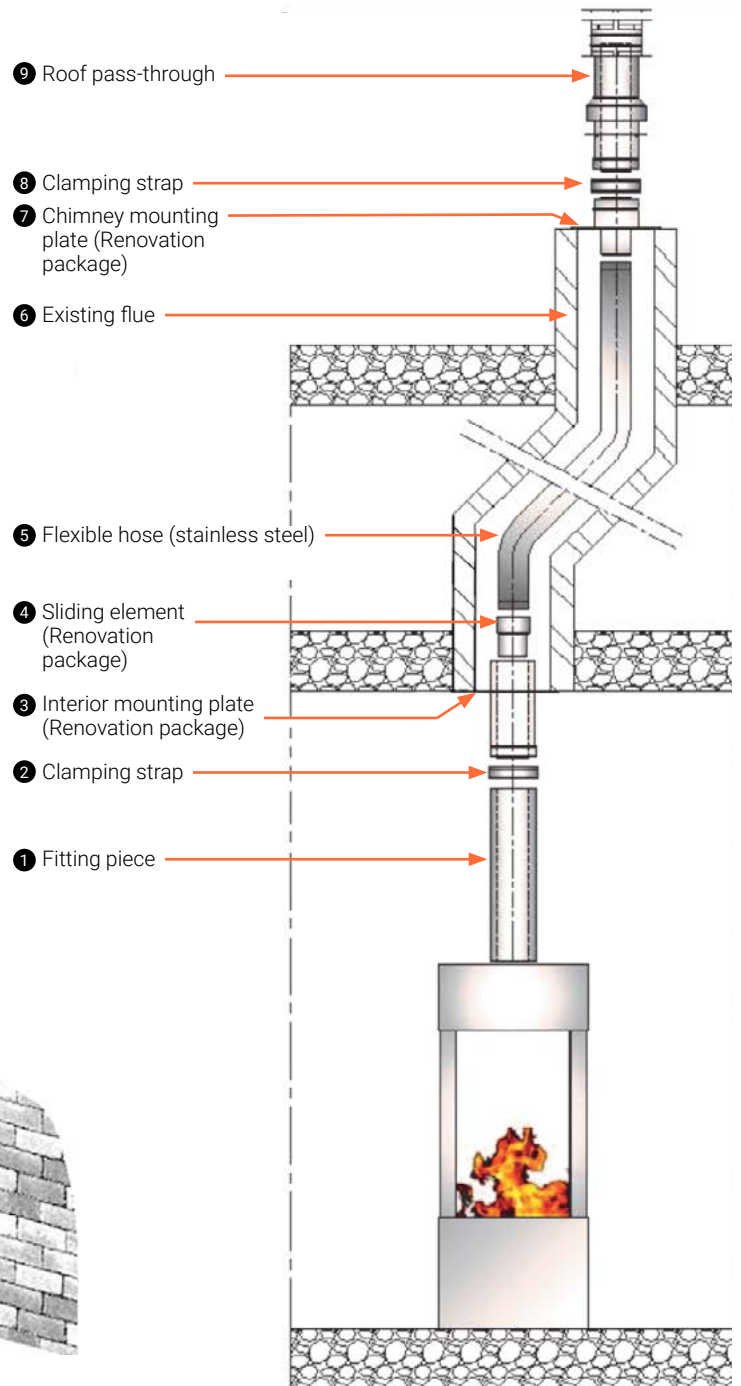
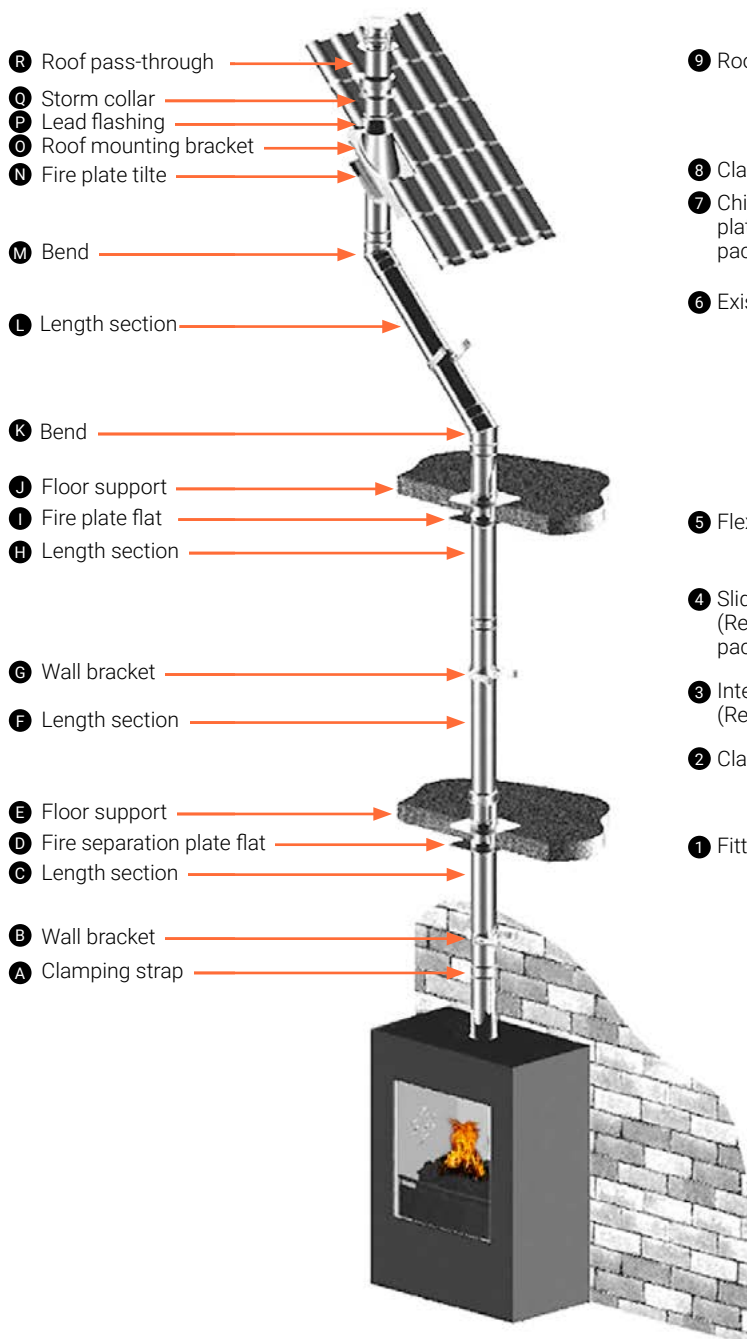
Size always to be checked on appliance.



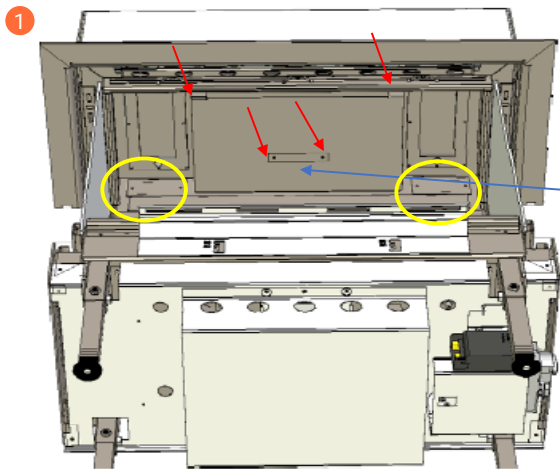
# Appendix 3 CONSTRUCTION DIAGRAM DOUBLE-WALL CONCENTRIC

Material: Stainless steel AISI 316 L - Allow number 1.4404

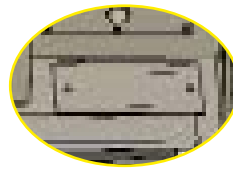
Application: for the discharge of flue gases and the supply of combustion air from gas-fired appliances or stoves with a closed combustion system



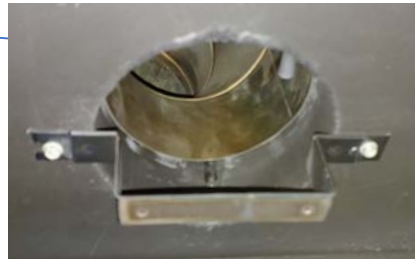
# Appendix 4 PREPARATION AND INSTALLATION



STEP 1 Remove the baffle plate. Undo 4 screws.



Recirculation restrictor:  
see Chapter 10 *Concentric Pathways*.

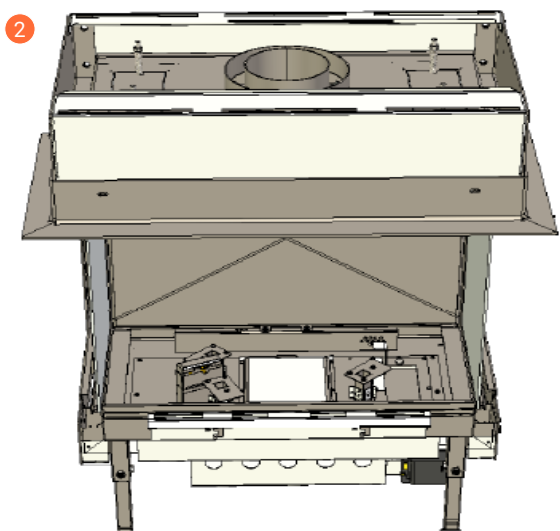


Bracket without baffle plate.

STEP 2 The flue restrictor can be placed behind the baffle plate.

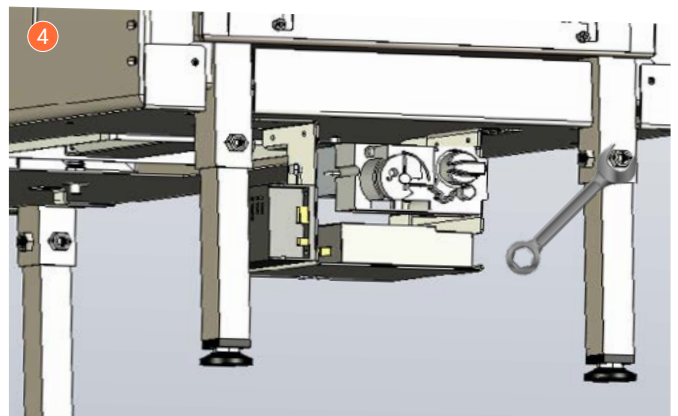
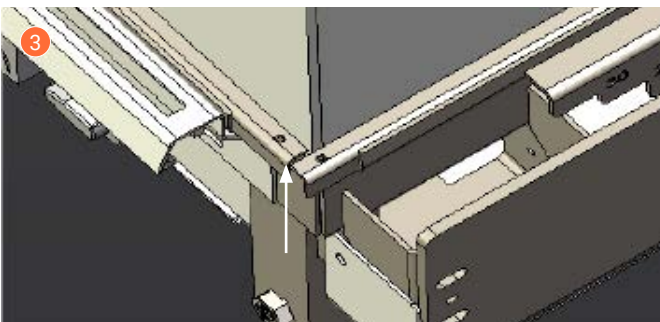


Bracket with fitted restrictor.



### NOTE

In certain exhaust lay-outs, the baffle plate is not replaced, see chapter 10 *Concentric pathways*.



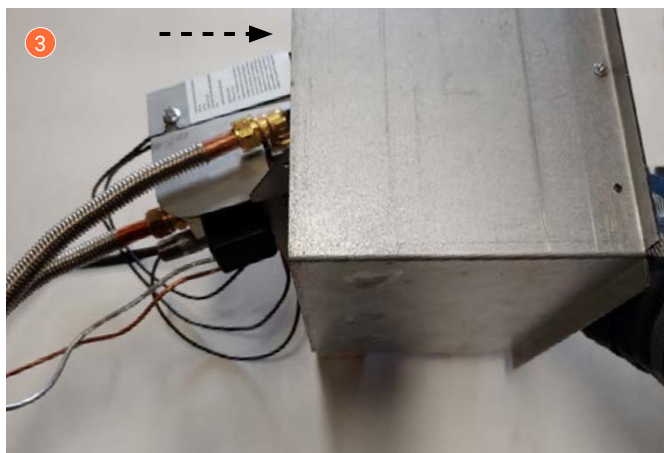
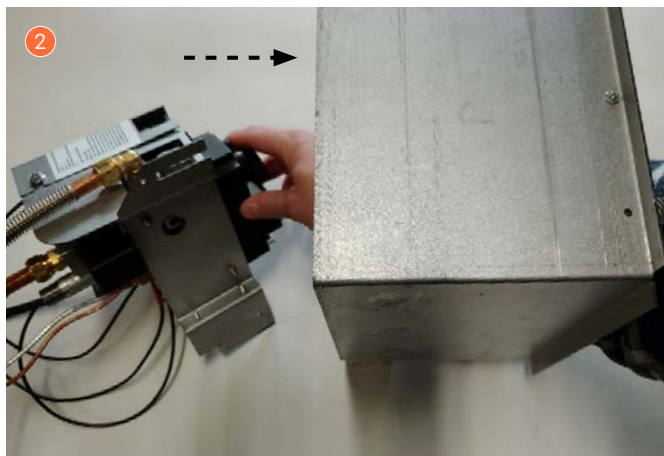
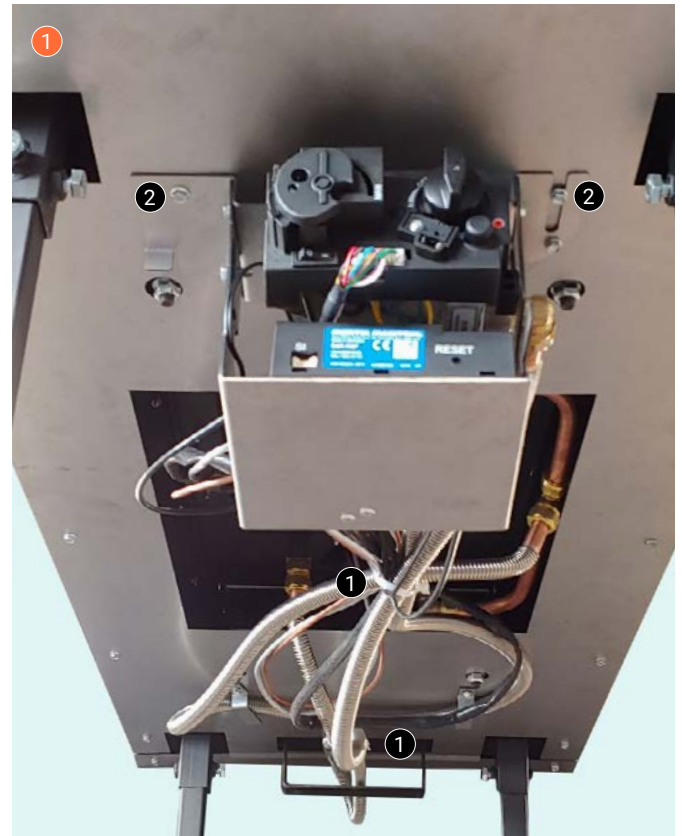
## Appendix 5 PREPARING GAS CASSETTE GV60 FOR INSTALLATION

### STEP 1 ①

Cut the ties to release all lines. ①

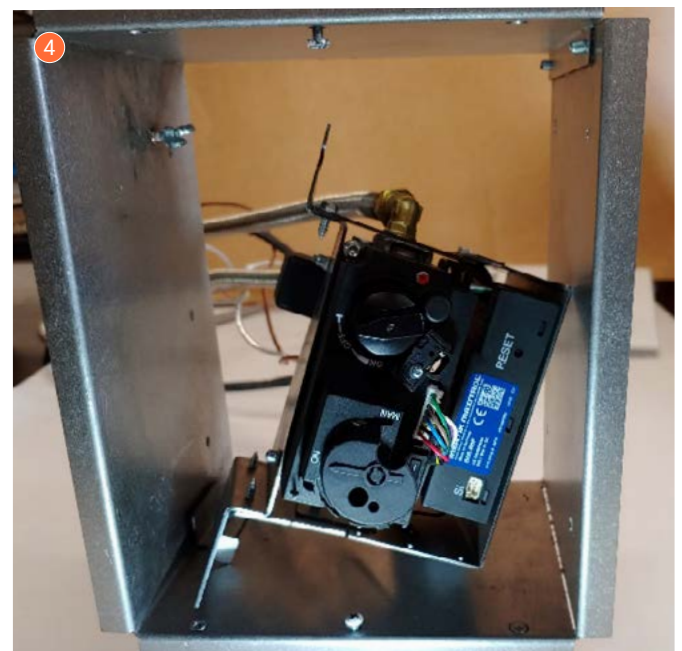
### STEP 2 ①

Remove the protection bracket with gas control block and receiver. ②



### STEP 3 ② ③ ④

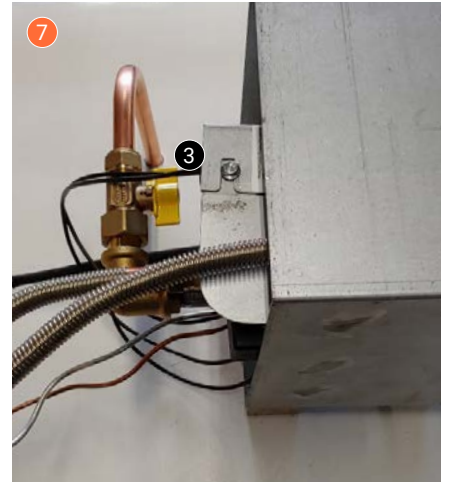
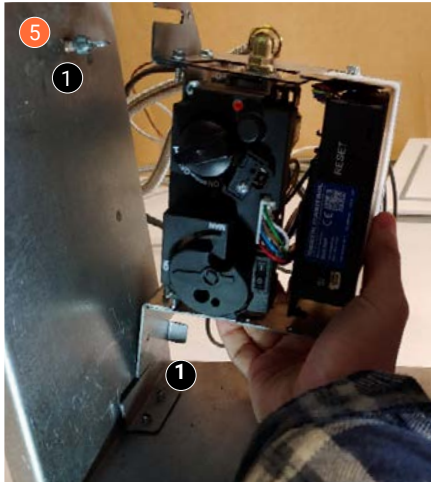
Place the gas control block and receiver in the gas cassette.



## Appendix 5 CONTINUED

### STEP 4 5 6 7

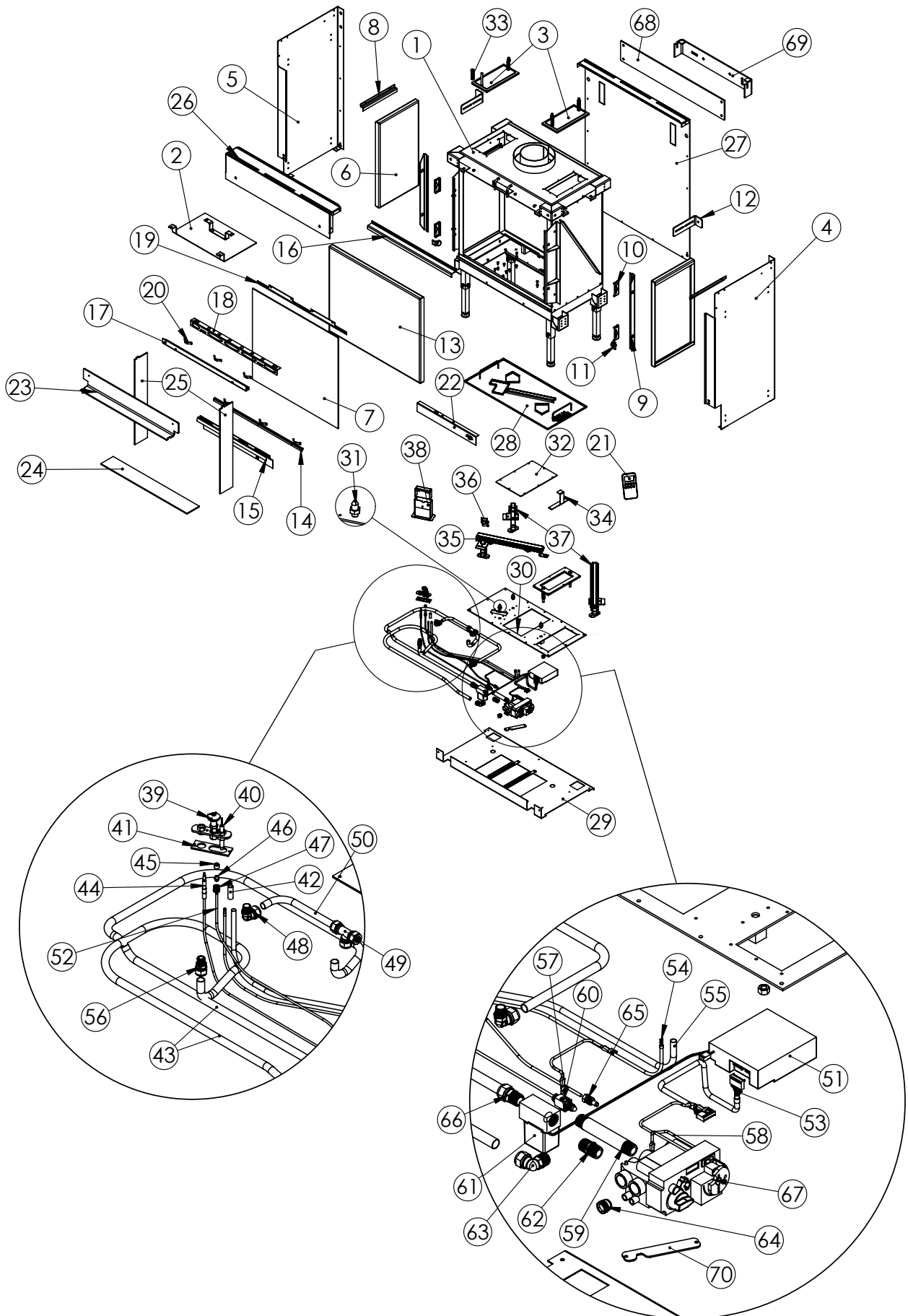
Slide the bracket with the gas control block and receiver into place ①. Fix the wing nuts in place. ②



Example of installing an accessible tap. ③

# Appendix 6 EXPLODED VIEW AND SPARE PARTS

Trimline 64 Front DB

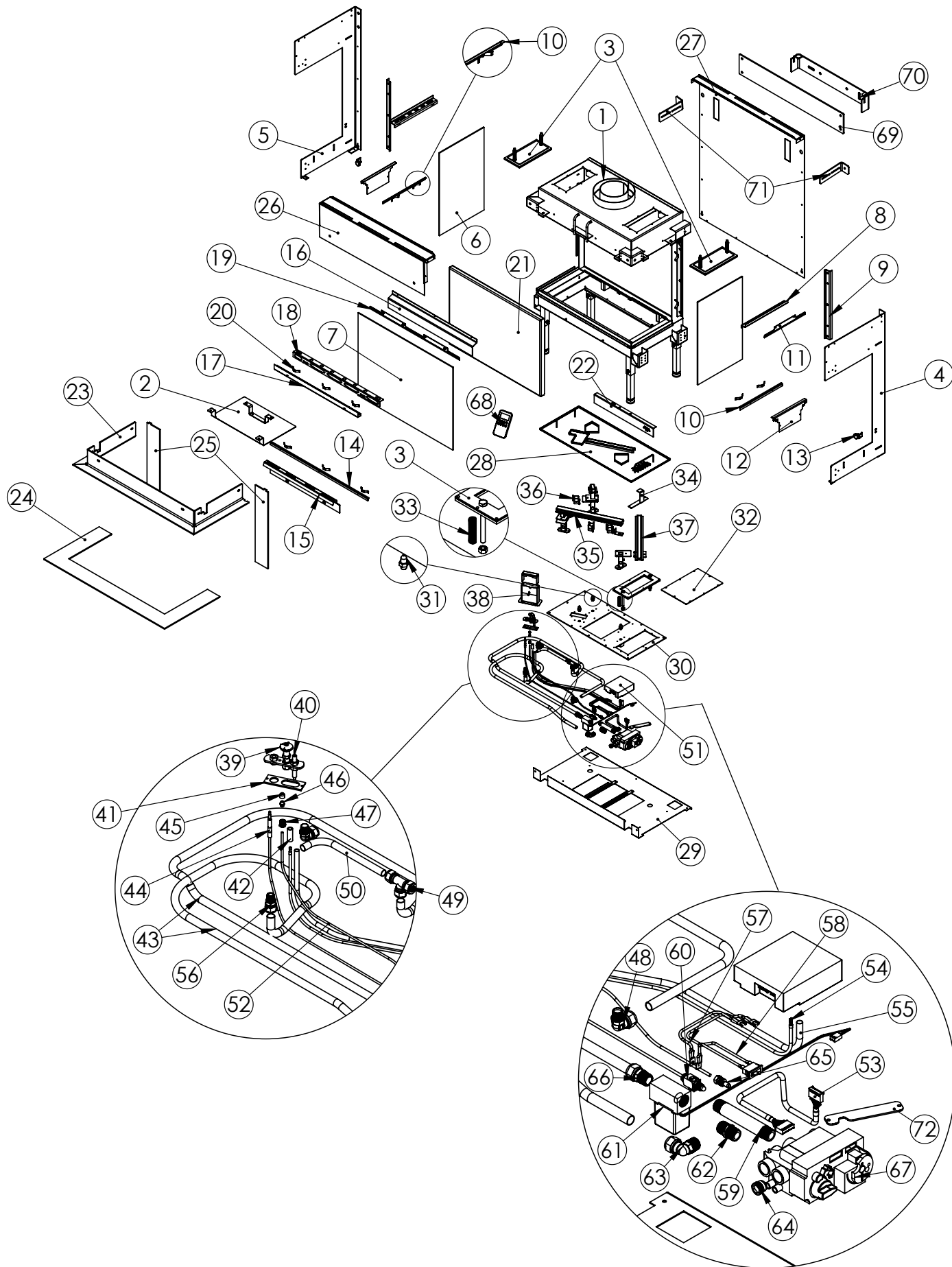


## Appendix 6 CONTINUED

### Trimline 64 Front DB

Pos no	Description	Art. Number	Qty.
1	Combustion Chamber		1
2	Baffle plate		1
3	Pressure hatch plate top/bottom		3
4	Convection plate		1
5	Convection plate		1
6	Panel		2
7	Glass panel front		1
8	Side panel bracket		2
9	Glazing bar vertical		2
10	Glassholder bracket		4
11	Magnet		2
12	Wall bracket		2
13	Panel		1
14	Glazingbar bottom		1
15	Front bottom support		1
16	Walls bracket back holder		1
17	Glazingbar front top		1
18	Glassholder front Top		1
19	Front seal bracket top		1
20	Spiring glass block		6
21	Remote control GV-60 Ecomax B6R-H8TL3PBD		1
22	Air deflector		1
23	Top trim		1
24	Bottom trim		1
25	Vertical trim side		2
26	Convection plate front		1
27	Convection plate back		1
28	Burner mesh		1
29	Convection mantel bottom		1
30	Bottom plate		1
31	Main injector		3
32	Plate led unit space		1
33	Pressure hatch spring		2
34	Bracket		1
35	Ground burner		1
36	Air bracket		3

Pos no	Description	Art. Number	Qty.
37	Log burner standup		2
38	Pilot flame holder		1
39	Pilotburner		1
40	Igniter dia 2,3mm connection		1
41	Pilotburner gasket		1
42	Igniter insulation sleeve		1
43	Gastube flex burner 2x 12mm/L1500mm		2
44	Thermocouple 1500mm SiT M 9 (30)		1
45	Pilot injector no 30 SIT G30/31		1
46	Olive 4mm pilotinjector		1
47	Nut 4mm pilotinjector		1
48	Elbow 1/4"x12mm		2
49	Tee 12x12x12mm		1
50	Copper pipe 12mm		1
51	Receiver GV-60 Ecomax Wifi R		1
52	Ignition cable L1500mm 2,8 x 0,5-dia 2,3 for 642200884		1
53	GV60 multicable 8x G6R-C3		1
54	Ignition cable 4mm/1500 GV-60		1
55	Siliconized glass sleeve 8 mm		1
56	Compression coupling 1/4" x 12mm		1
57	GV60 cable 500 mm thermocouple G60-ZKIRF/500		1
58	GV60 cable 500mm switch G60-ZSKLF/500		1
59	Gasconnection 3/8" mains		1
60	GV60 M9x1 thermocouple interupter G60-ZUS09		1
61	GV60 DB solenoid GV-S60C/5		1
62	GV60 solenoid adapter		1
63	Elbow 3/8"x12mm		1
64	GV30/60 plug 3/8"		1
65	GV60 olive/nut 4mm G30-ZLZ04		1
66	Compression coupling 3/8"x12mm		1
67	GV60 gasvalve GV60M1-C5D3K1L		1
68	Wall hanging plate		1
69	Wall hanging Bracket		1
70	Gasvalve holder		1
Gaskets, conversion gastype Gasset G20 Gasset G25 Gasset G30/31			



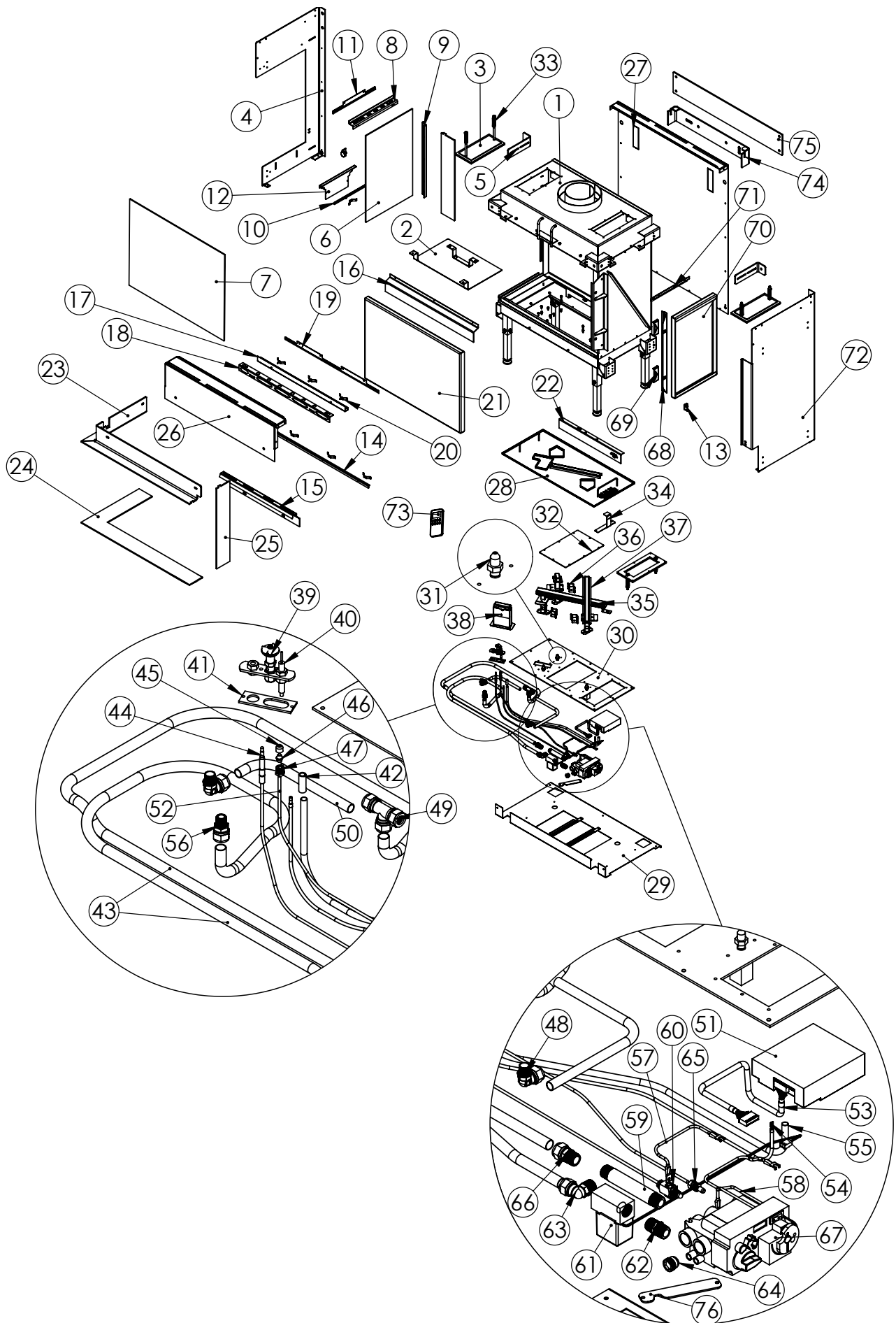
## Appendix 6 CONTINUED

### Trimline 64 Panoramic DB

Pos no	Description	Art. Number	Qty.
1	Combustion Chamber		1
2	Baffle plate		1
3	Pressure hatch plate top/bottom		3
4	Convection plate		1
5	Convection plate		1
6	Glass panel side		2
7	Glass panel front		1
8	Glassholder top side		2
9	Glassholder back side		2
10	Clamping side		2
11	Side seal bracket top		2
12	Side bottom trims support		2
13	Magnet		2
14	Glazingbar bottom		1
15	Front bottom support		1
16	Walls brecket back holder		1
17	Glazingbar front top		1
18	Glassholder front top		1
19	Front seal bracket top		1
20	Spiring glass block		10
21	Back lamel		1
22	Air deflector		1
23	Top trim		1
24	Bottom trim		1
25	Vertical trim side		2
26	Convection plate front		1
27	Convection plate back		1
28	Burner mesh		1
29	Convection mantel bottom		1
30	Bottom plate		1
31	Main injector		3
32	Cover plate LED Unit space		1
33	Pressure hatch spring		2
34	Bracket		1
35	Ground burner		1
36	Air bracket		3
37	Log burner standup		2

Pos no	Description	Art. Number	Qty.
38	Pilot flame holder		1
39	Pilotburner		1
40	Igniter dia 2,3mm connection		1
41	Pilotburner gasket		1
42	Igniter insulation sleeve		1
43	Gastube flex burner 2x 12mm/L1500mm		2
44	Thermocouple 1500mm SiT M 9 (30)		1
45	Pilot injector no 30 SIT G30/31		1
46	Olive 4 mm pilotinjector		1
47	Nut 4mm pilotinjector		1
48	Elbow 1/4"x12mm		2
49	Tee 12x12x12mm		1
50	Copper pipe 12 mm		1
51	Receiver GV-60 Ecomax Wifi ready		1
52	Ignition cable L1500mm 2,8x0,5-dia 2,3 for 642200884		1
53	GV60 multicable 8x G6R-C3		1
54	Ignition cable 4mm/1500 GV-60		1
55	Siliconized glass sleeve 8mm		1
56	Compression coupling 1/4" x 12mm		1
57	GV60 cable 500 mm thermocouple G60-ZKIRF/500		1
58	GV60 cable 500mm switch G60-ZSKLF/500		1
59	Gasconnection 3/8" mains		1
60	GV60 M9x1 thermocouple interupter G60-ZUS09		1
61	GV60 DB solenoid GV-S60C/5		1
62	GV60 solenoid adapter		1
63	Elbow 3/8"x12mm		1
64	GV30/60 plug 3/8"		1
65	GV60 olive/nut 4mm G30-ZLZ04		1
66	Compression coupling 3/8"x12mm		1
67	GV60 gasvalve GV60M1-C5D3K1L		1
68	Remote control GV-60 Ecomax B6R-H8TL3PBD		1
69	Wall hanging plate		1
70	Wall hanging bracket		1
71	Wall bracket		2
72	Gasvalve holder		1
Gassets, conversion gastype Gasset G20 Gasset G25 Gasset G30/31			





## Appendix 6 CONTINUED

### Trimline 64 Corner DB

Pos no	Description	Art. Number	Qty.
1	Combustion Chamber		1
2	Baffle plate		1
3	Explosie hatch plate top/bottom		3
4	Side support		1
5	Wall bracket		2
6	Glass panel side		1
7	Glass panel front		1
8	Glassholder top side		1
9	Glassholder back side		1
10	Clamping side		1
11	Side seal bracket top		1
12	Side bottom trim support		2
13	Magnet		2
14	Clamping front bottom		1
15	Front support bottom		1
16	Walls bracket back holder		1
17	Clamping front top		1
18	Glassholder front top		1
19	Front seal bracket top		1
20	Spining glass block		8
21	Back lamel		1
22	Air deflector		1
23	Top trim		1
24	Bottom trim		1
25	Vertical side trim		2
26	Convection plate front		1
27	Convection plate back		1
28	Burner mesh		1
29	Bottom convection mantel		1
30	Bottom plate		1
31	Main injector		3
32	Cover plate LED Unit space		1
33	Pressure hatch spring		2
34	Burner holder		1
35	Ground burner		1
36	Primary air bracket		3
37	Log burner standup		2
38	Pilot flame holder		1
39	Pilotburner		1

Pos no	Description	Art. Number	Qty.
40	Igniter dia 2,3 mm connection		1
41	Pilotburner gasket		1
42	Igniter insulation sleeve		1
43	Gastube flex burner 2x 12mm/L1500mm		2
44	Thermocouple 1500mm SIT M 9 (30)		1
45	Pilot injector no 30 SIT G30/31		1
46	Olive 4mm pilotinjector		1
47	Nut 4mm pilotinjector		1
48	Compression knee 1/4" x 12mm		2
49	T fitting 12x12x12		1
50	Cooper pipe 12 mm		1
51	Receiver GV-60 Ecomax Wifi ready		1
52	Ignition cable L1500mm 2,8x0,5-dia 2,3 for 642200884		1
53	GV60 multicable 8x G6R-C3		1
54	Ignition cable 4mm/1500 GV-60		1
55	Siliconized glass sleeve 8 mm		1
56	Compression coupling 1/4" x 12mm		1
57	GV60 cable 500 mm thermocouple G60-ZKIRF/500		1
58	GV60 cable 500mm switch G60-ZSKLF/500		1
59	Gasconnection 3/8" mains		1
60	GV60 M9x1 thermocouple interrupter G60-ZUS09		1
61	GV60 DB solenoid GV-S60C/5		1
62	GV60 solenoid adapter		1
63	Elbow 3/8"x12mm		1
64	GV30/60 plug 3/8"		1
65	GV60 olive/nut 4mm G30-ZLZ04		1
66	Compression coupling 3/8"x12mm		1
67	GV60 gasvalve GV60M1-C5D3K1L		1
68	Glassholder side		1
69	Glassholder bracket		2
70	Lamel side		1
71	Walls bracket side holder		1
72	Convection plate side		1
73	Remote control GV-60 Ecomax B6R-H8TL3PBD		1
74	Wall hanging plate		1
75	Wall hanging bracket		1
76	Gasvalve holder		1

Gassets, conversion gastype  
 Gasset G20  
 Gasset G25  
 Gasset G30/31