



trimline
fires



Trimline 83 Front DB	1180
Trimline 83 Panoramic DB	1181
Trimline 83 Corner Left DB	1182
Trimline 83 Corner Right DB	1183

INSTALLATION INSTRUCTIONS



CONTENTS

1	INSTALLATION INSTRUCTIONS	3
2	PLACING THE APPLIANCE.....	3
2.1	Preparation and installation	3
2.2	Connection to the gas supply pipes	4
2.3	Installation methods.....	4
3	REMOVING AND INSTALLING THE GLASS PANELS.....	6
4	INSTALLATION OF THE CERAMIC WOOD SET AND DISPERSION MEDIUM.....	10
5	INSTALLING REAR WALLS (OPTIONAL).....	12
6	FITTING THE LED GLOW BED MODULE (OPTIONAL).....	18
6.1	AR glass (Optional)	20
7	TECHNICAL DETAILS MAXITROL GV60	21
8	INSTRUCTIONS FOR MAXITROL GV60	23
9	GAS-TECHNICAL SPECIFICATIONS.....	24
10	CONCENTRIC PATHWAYS	26
11	CONCENTRIC FLUE SYSTEM	27
11.1	Components of the concentric flue system	27
11.2	Construction of concentric flue system	27
11.3	Installation instructions regarding existing flues.....	27
11.4	Parts	28
11.5	Installation.....	28
12	PASS-THROUGH POSITIONS AND FUNCTION CORRECTLY	29
13	CLEANING AND MAINTENANCE	30
14	QUICK REFERENCE GUIDE FOR FAULTSSEARCH FOR ENCLOSED APPLIANCES USING MAXITROL GV60 GASCONTROL	31
Appendix 1	DIMENSIONAL DRAWINGS	33
Appendix 2	BUILT-IN EXAMPLES.....	35
Appendix 3	CONSTRUCTION DIAGRAM DOUBLE-WALL CONCENTRIC	38
Appendix 4	PREPARATION AND INSTALLATION	39
Appendix 5	PREPARING GAS CASSETTE GV60 FOR INSTALLATION	40
Appendix 6	EXPLODED VIEW AND SPARE PARTS	42

thermoCet International B.V.
Laagerfseweg 27
3931 PC Woudenberg
The Netherlands
www.trimlinefires.com.



Modifications and printing errors are reserved.

thermoCet International BV is not responsible for any
(consequential) damage due to incorrect installation.

V110322



1 INSTALLATION INSTRUCTIONS

NOTE

The installation should be performed only by an authorized gasfitter.

- The appliance must be installed, connected, inspected and serviced as a closed appliance by a qualified fitter, according to local standards and regulations.
- The flue tube system and the outlets in the outer wall or roof face must also meet the requirements outlined in the applicable local standards and regulations.
- The temperature of the walls near the side and back of the appliance may not exceed the ambient temperature by 60 K or more. For example, ambient temperature 20 °C, maximum increase of 60 K gives a maximum temperature of 80 °C
- The appliance has been approved in combination with the concentric flue system THC/Holetterm in accordance with European CE standards for gas appliances, and may therefore only be applied with this system.
- The appliance needs to be inspected by the fitter for local gas distribution (gas type and gas pressure) as indicated on the identification plate.
- The instructions are only applicable if the relevant country code is stated on the appliance.
- There will be air in the gas pipes when the appliance is first used. The gas supply pipes therefore need to be vented first.

- Ignite the appliance according to the user manual and check the flame is burning evenly. After the appliance has been used for the first time, any deposits resulting from curing must be removed from the glass panel using a glass cleaner made specifically for fireplaces.

Distance from flammable materials in the vicinity of the appliance

Do not place flammable materials within 500mm of the part of the appliance that radiates heat.

Distance to non-flammable materials

The appliance needs to be placed a minimum distance of 25mm from the wall unless stated otherwise in these instructions.

WARNING

- Gas fires become hot when in use. After installation of the appliance, the glass panel surface is considered to be an active zone. The glass panel surface can become very hot.
- Therefore, you should take care by, for example, keeping children and those requiring help away from the immediate vicinity of burning fires. Gas fires must not be placed on or against flammable materials.

2 PLACING THE APPLIANCE

NOTE

Before installing the appliance, please read Chapter 3 *Removing and installing the glass panel*, 10 *Concentric pathways*, 11 *Concentric flue system* and APPENDIX 2.

2.1 Preparation and installation

- Check the packaging for damage. Remove the packaging and check the contents are intact and complete. Report damage and defects to the supplier immediately.
- The packaging contains the following components:
 - Unit
 - Remote control
 - Ceramic wood set
 - Restrictor(s)
 - 4 x AA battery
 - 2 x AAA battery
 - Suction cup(s)
 - Adjustable feet
 - Wide trims packed separately
 - Built-in cassette
 - 2 Convection grilles
 - Installation instruction
 - User manual
 - Lifting brackets APPENDIX 4 1

NOTE

Do not start the installation until you have read and understood the installation instructions.

- Place the appliance on a stable surface. Remove the glass panel (see Chapter 4 *Removing and installing the glass panel*) so you can take out the packaged parts. Check it for damage and defects.
- Put the appliance in place using the adjustable feet (supplied) and the wall mounting. The adjustable feet can be used for fine adjustment of the appliance; an optional leg extension set is also available. APPENDIX 4 3
- The gas valve must be installed in the gas control box (see Paragraph 2.2 *Connection to the gas supply pipes*).

Optional

The gas valve can be mounted under the appliance using a wall bracket (floating platform). This must be accessible.

- The distance between the gas valve and the appliance is determined by the cable length (maximum 1200mm, in combination with the LED module 1000mm).
- The flue path determines whether a restrictor and/or baffle plate must be fitted (refer to Chapter 10 *Concentric pathways* and appendix 4 *Preparation and installation*).

- The baffle plate is fitted with a screw in the middle on the front side. The baffle plate can be taken out by removing the screw and sliding the baffle plate backwards. The flue restrictor can be put in place by sliding the baffle plate to the side. If applicable, the feed restrictor can be removed by unscrewing 2 screws. **APPENDIX 4** **4**
- Connect the appliance to the concentric flue system.
- Position the supplied convection grilles at least 500mm below the ceiling. If the space between the grille and the top of the ceiling in the chimney is very high, it is recommended that a false ceiling made of refractory material be installed in the chimney. **APPENDIX 2**

2.2 Connection to the gas supply pipes

APPENDIX 5

- Remove the protective bracket under the appliance complete with gas valve (remove the tie straps) and secure it in the gas control box with the wing nut, which can be found inside.
- Take account of the power supply: batteries or 230V adapter.
- You can determine where the gas supply pipes will be placed, dependent on the layout. Ensure control equipment is not twisted during installation and there is no excessive tension. Accessibility of various connection points in relation to components needs to be maintained. After installation, check the connections are gas-tight. Use a 3/8" gas tap with a connector. Also ensure the gas supply pipe is free from dirt or sand. To prevent damage to the gas control equipment, the gas connection must be isolated from the electrical power.
- Ignite the appliance for the first time without a glass panel. Check all the gas connections for leaks again. You can then switch the appliance off and put the ceramic wood set in place (see Chapter 3 *Installation of the ceramic wood set and dispersion medium*).

NOTE

- If the appliance does not work properly and/or the flames do not look good, repeat the previous steps again while checking and correcting if necessary.
- The glass will now need to be cleaned again (see chapter 13 *Cleaning and maintenance*).

2.3 Installation methods

APPENDIX 4

Depending on the desired set-up, you can decide to work with a wide trims or just to connect the plateau almost directly to the glass panes of the appliance.

Applying the wide trims **1**

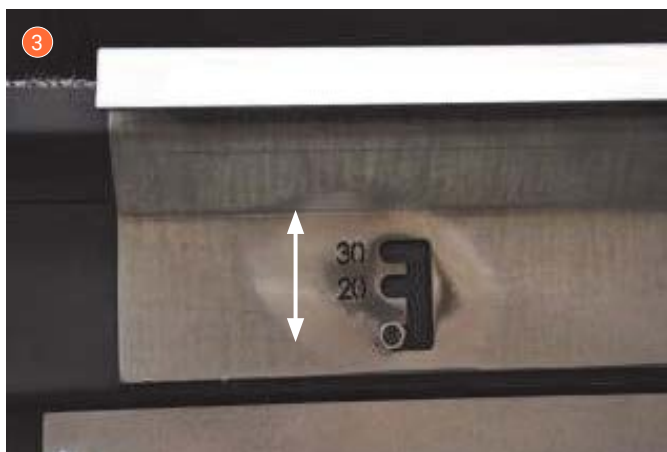
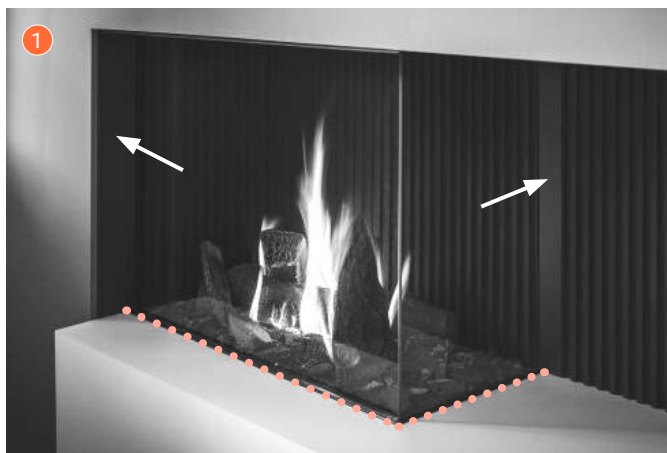
- The standing trims have an adjustable magnet attachment at the bottom. Pull the wide trim forward at the bottom and unhook it at the top.
- Push the lower trim forward and then remove it.
- The unit can be built in, taking into account the correct built-in materials (fire-free/inflammable). Adjust the dimensions of the conversion in such a way that the wide trims can be placed back on the fireplace without any problems.
- Keep in mind that the appliance gets hot and will expand. If the installation is too tight, less than 4mm clearance, this can cause unwanted noise and damage the housing.
- After finishing (eg ornamental plaster or glass fiber wallpaper) of the surround, the trims can be put back again.

Work with the Plateau directly on glass panes **2 3 4**

- The plateau finish can be finished almost against the glass pane, see the orange dotted line. **1**
- Plateau materials must always be non-combustible. The glazing bars with leaf springs must remain removable at all times.
- Set profiles are provided on the underside of the device, which can serve as a boundary for the plateau material. These slidable profiles are adjustable in height **3 4**. The sizes 20-30mm are indicative of the platform thickness.

NOTE

- The platform material must not rest on the adjusting profiles. The appliance will get hot and expand, resulting in cracking of the platform material.
- The top of the platform must not extend above the insert strips, the glass panel must remain removable.



Trimline 83 Front with wide trims.



Trimline 83 Panoramic/Corner with wide trims.

3 REMOVING AND INSTALLING THE GLASS PANELS

NOTE

In certain exhaust routes, the baffle plate is not replaced, see Chapter 10 *Concentric Pathways*.

Fitting the front glass panel

NOTE

When fitting the front glass panel, there is a risk of the glass breaking. The side glass panel is pressed against the front glass panel by spring pressure. When removing the front glass panel, the side glass panel can creep forward due to the spring pressure.

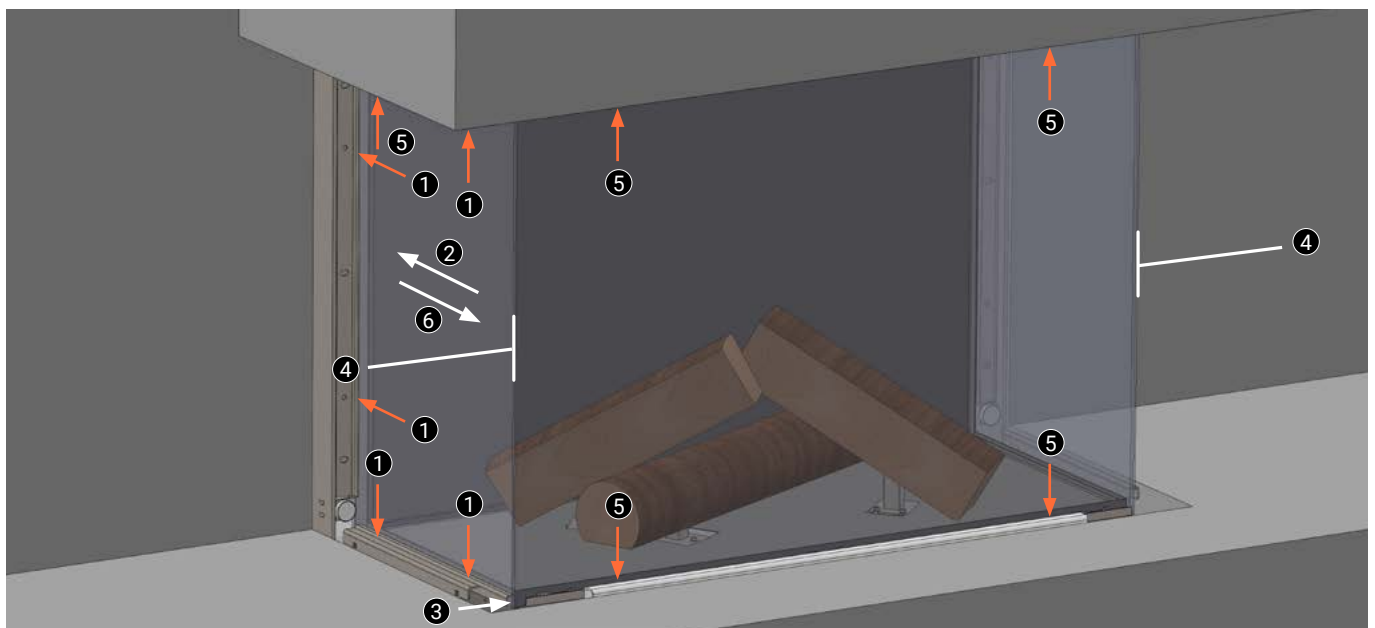
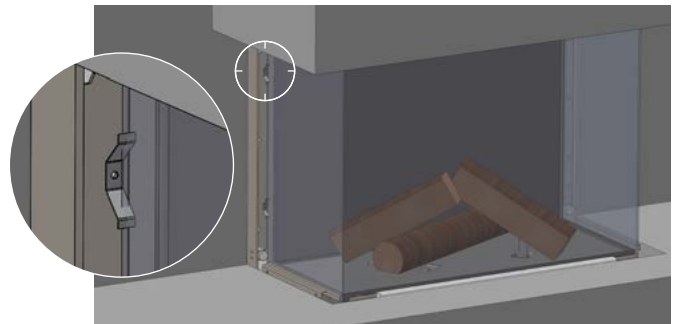
Therefore, proceed as follows to refit the front glass panel:

- The side glass panel does not need to be removed, but it must be pushed back.
- Loosen the screws of the glass holders of the side glass panels **1** (do not remove the glass holder) or remove the spring glass holder.
- Place the suction cup on the side glass panel and slide it, against the spring pressure, to the rear **2**, past the contact surface of the front glass panel **3**.
- Clamp the side glass panel(s) by tightening the glass holder screws.

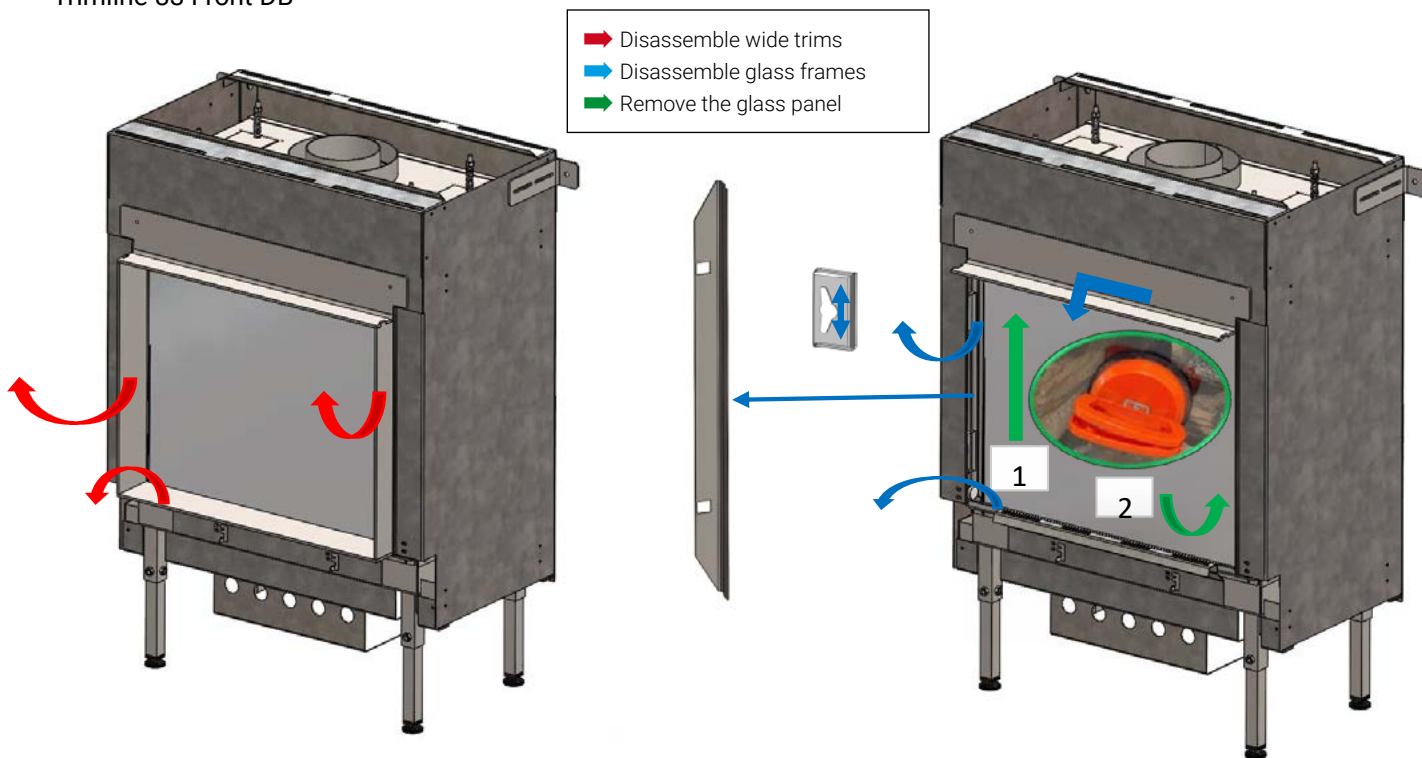
- Make sure the seals are complete, whole and clean.
- Fit the front glass panel and ensure it is aligned with the side glass panel(s) **4**.
- Clamp the front glass panel by tightening the glass holder screws **5** or fitting the spring glass holder.
- Loosen the side glass panel(s) by loosening the glass holder screws (do not remove the glass holder) or removing the spring glass holder **1**.
- Carefully slide the side glass panel(s) forward using the supplied suction cup **6**. Check the side glass panel fits neatly against the front glass panel.
- Keep the side glass panel pushed against the front glass panel and clamp the side glass panel firmly by tightening the glass holder screws or fitting the spring glass holder.
- Refit the decorative strips.
- Check the appliance ignites properly again.

NOTE

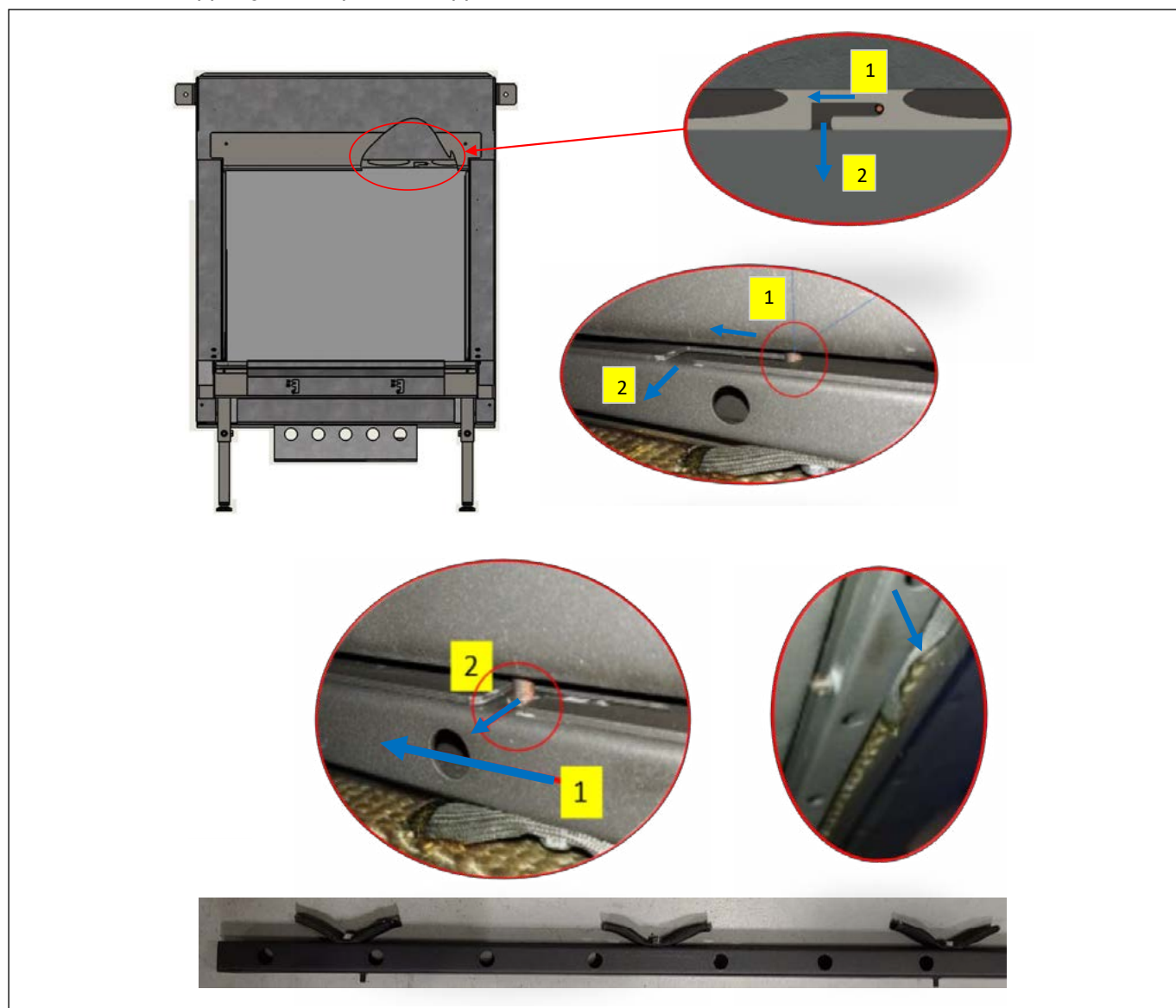
Do not forget to re-tension the springs that push the glass panel forwards so there is less chance of the window creeping.



Trimline 83 Front DB

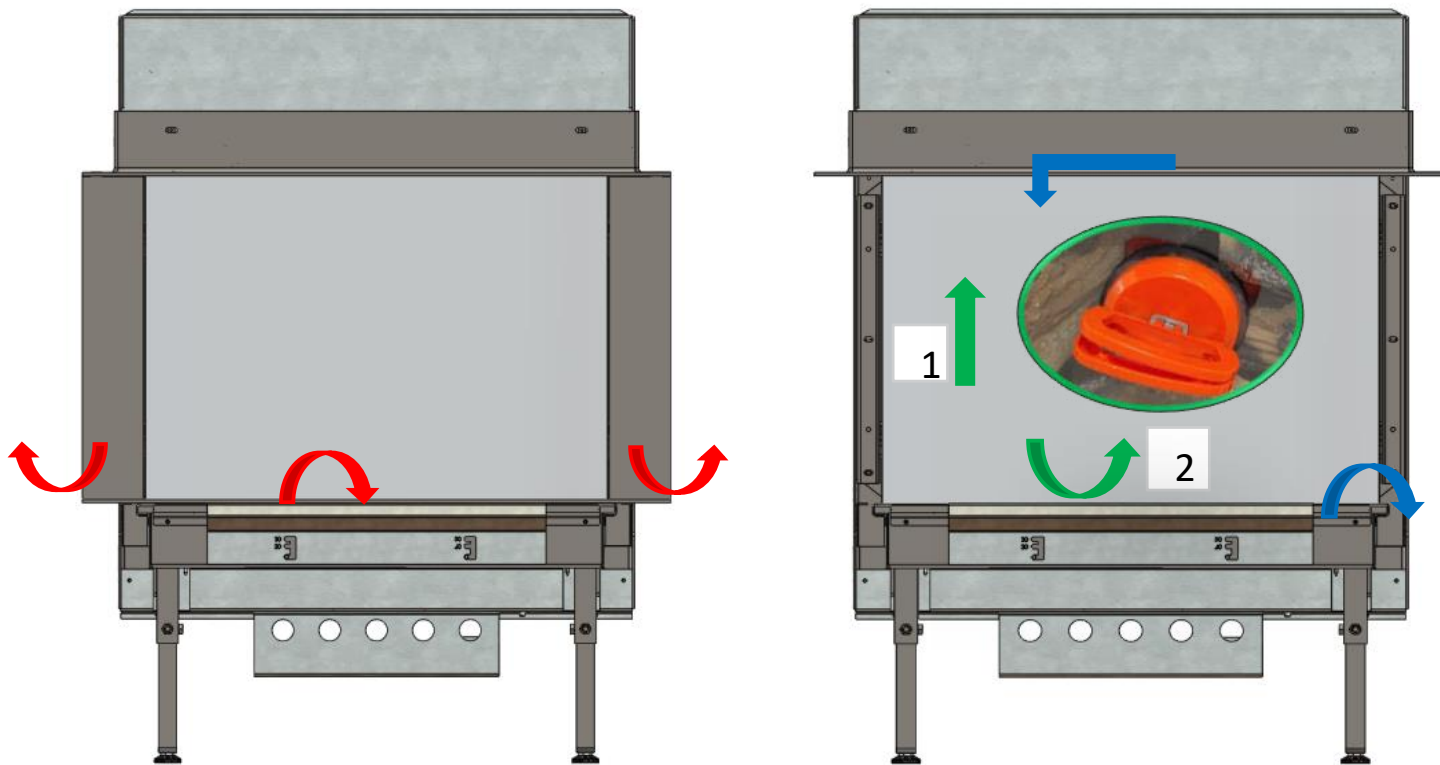


Disassemble the upper glass strip. This is applicable to all Trimline 83 Front/Panoramic/Corner.

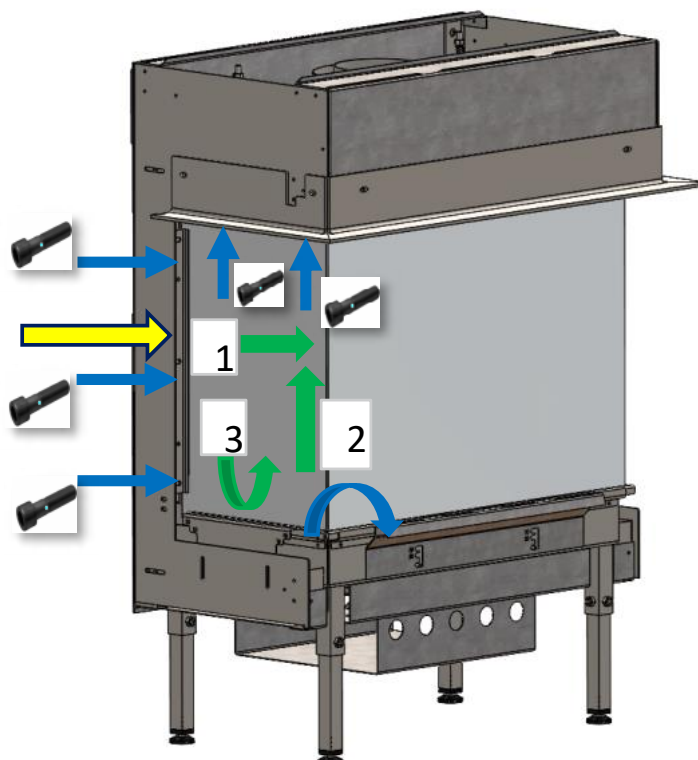


Trimline 83 Panoramic DB

- ➔ Disassemble wide trims
- ➔ Disassemble glass frames
- ➔ Remove the glass panel
- ➔ NOTE

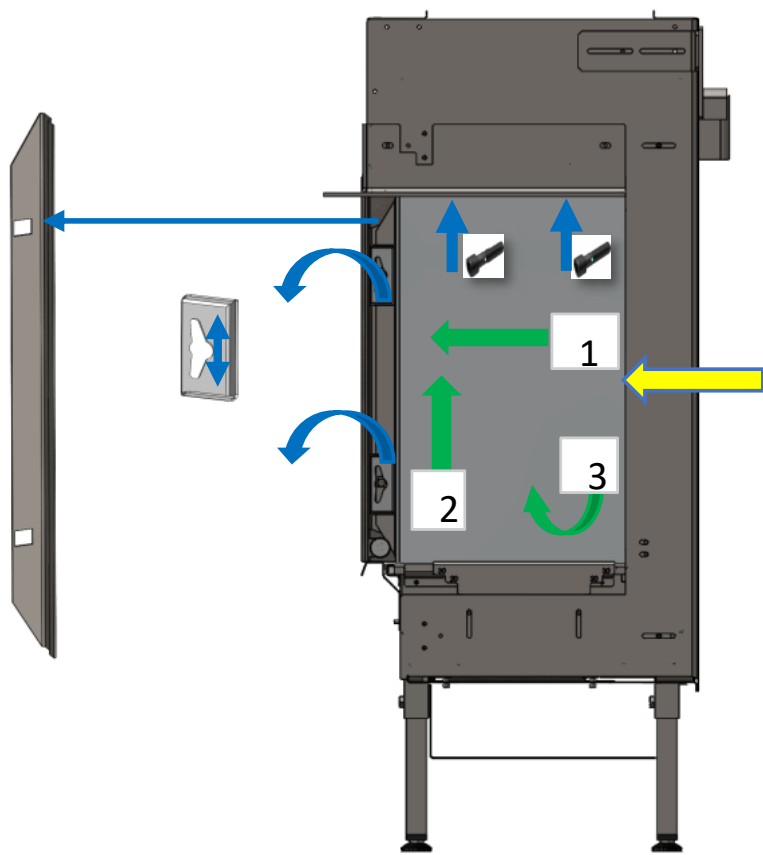
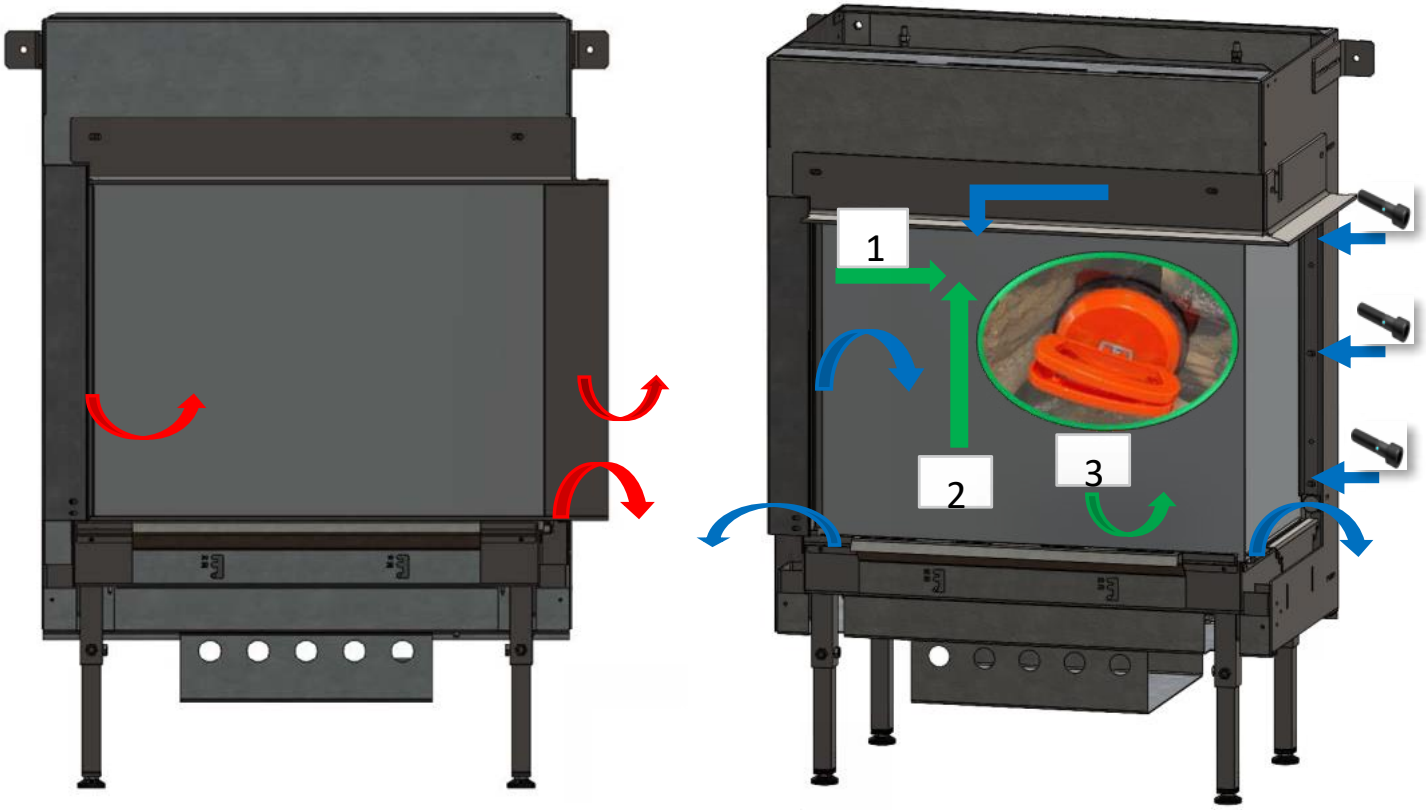


NOTE
 When removing side glass panel. Note the leaf springs that push the glass panel forward when the front glass panel comes out. First push the side glass panel backwards and secure it before you place the glass panel back.



Trimline 83 Corner DB

- ➔ Disassemble wide trims
- ➔ Disassemble glass frames
- ➔ Remove the glass panel
- ➔ NOTE



NOTE
 When removing side glass panel. Note the leaf springs that push the glass panel forward when the front glass panel comes out. First push the side glass panel backwards and secure it before you place the glass panel back.

4 INSTALLATION OF THE CERAMIC WOOD SET AND DISPERSION MEDIUM

NOTE

- If a choice has been made to install the optional rear wall, this must be installed before positioning the logs (see Chapter 6 *Installing rear walls (optional)*).
- If a choice has been made to install the optional LED glow bed, this must be installed before positioning the logs (see Chapter 5 *Installing the LED glow bed module*).

When putting the ceramic wood set and dispersion medium **1** in place, the following must be taken into account:

- Do not place dispersion medium in or on the pilot flame.
- Prevent the ceramic materials coming into contact with the cord of the glass panel fixture.
- The fire outlet must remain free.
- The chips and coal embers must not touch the central log.
- Spread the glass granules evenly, especially over the central part of the perforated burner mesh, but keep the areas around the feet of the two standing burners clear. **2**
- After a standing burner has been removed from the appliance **3**, the central log **A** can be placed on the centre burner **4**. The burner ports must remain free and the log must rest on them without applying undue pressure. The standing burner can now be fitted.
- Put logs **B** in place with the burner recess on the burners. Pay attention to the correct position, left/right, and fit them without applying an undue load. **7**
- Fit the 4 charred logs **D** and **E** near the left and right burner foot. The charred parts should point upwards. **8**
The flames must not touch the charred logs.

- Put the 2 curved logs in place **C**. **9**
- Spread the ash, chips and coal embers evenly on the sides and partly over the bed of glass granules.
- If desired, you can break the chips into smaller parts. If you want to use the LED glow bed module, you can use the chips to ensure the lights do not shine through.
- Dispersion medium can be set up along the outlet openings of the central log.

WARNING

Placing the logs in the wrong place can seriously affect the flames and/or cause the burning process to malfunction altogether.

- Ignite the appliance again without the glass panels fitted and check there is no dispersion medium against the burner ports and that the pilot light is not blocked.
- After checking and correcting if necessary, the glass can be fitted.
- Ignite the appliance again. Check the flames again after at least 15 minutes of heating time. Switch off the appliance and check the appliance ignites without any problems.

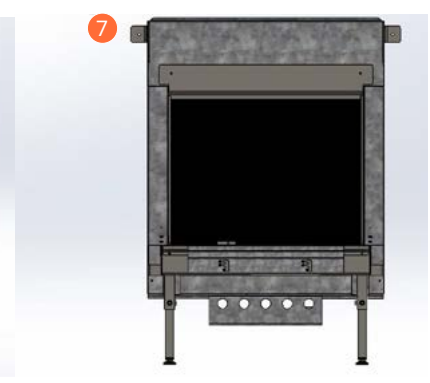
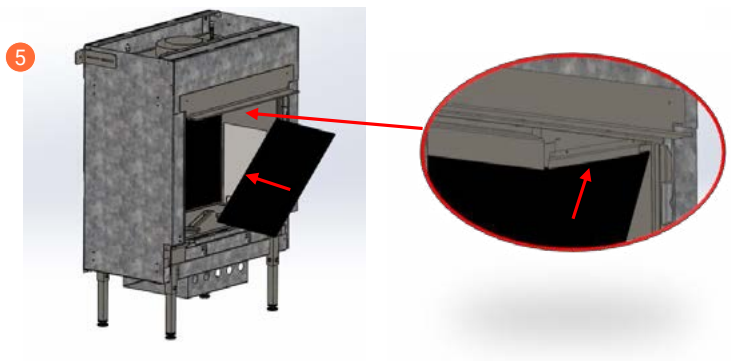
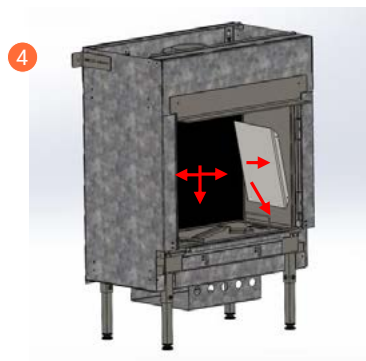
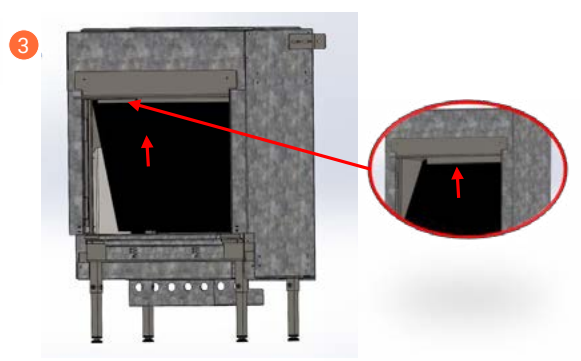
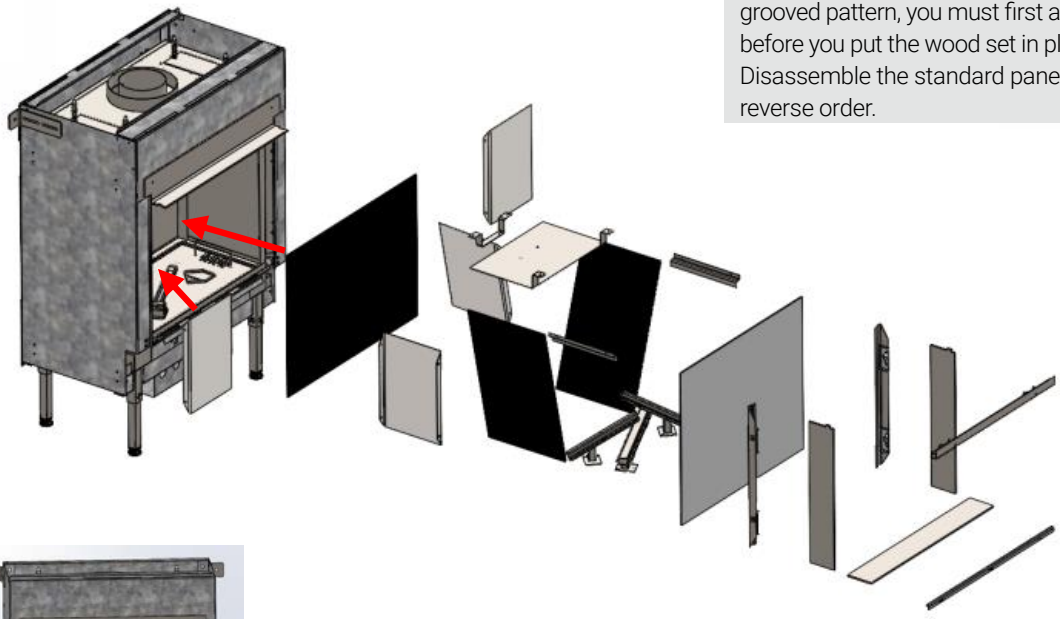




5 INSTALLING REAR WALLS (OPTIONAL)

Black glass rear wall for Trimline 83 Front

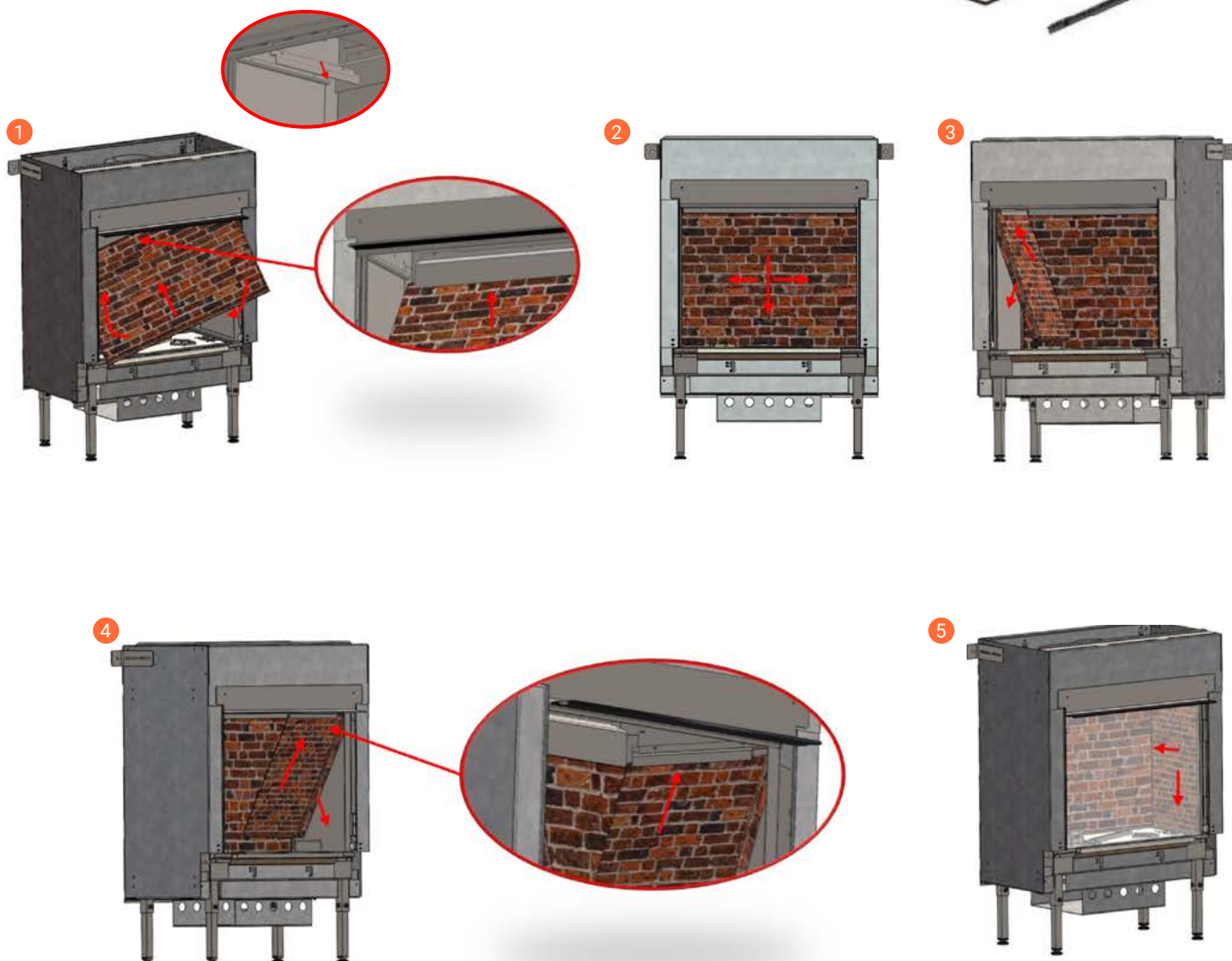
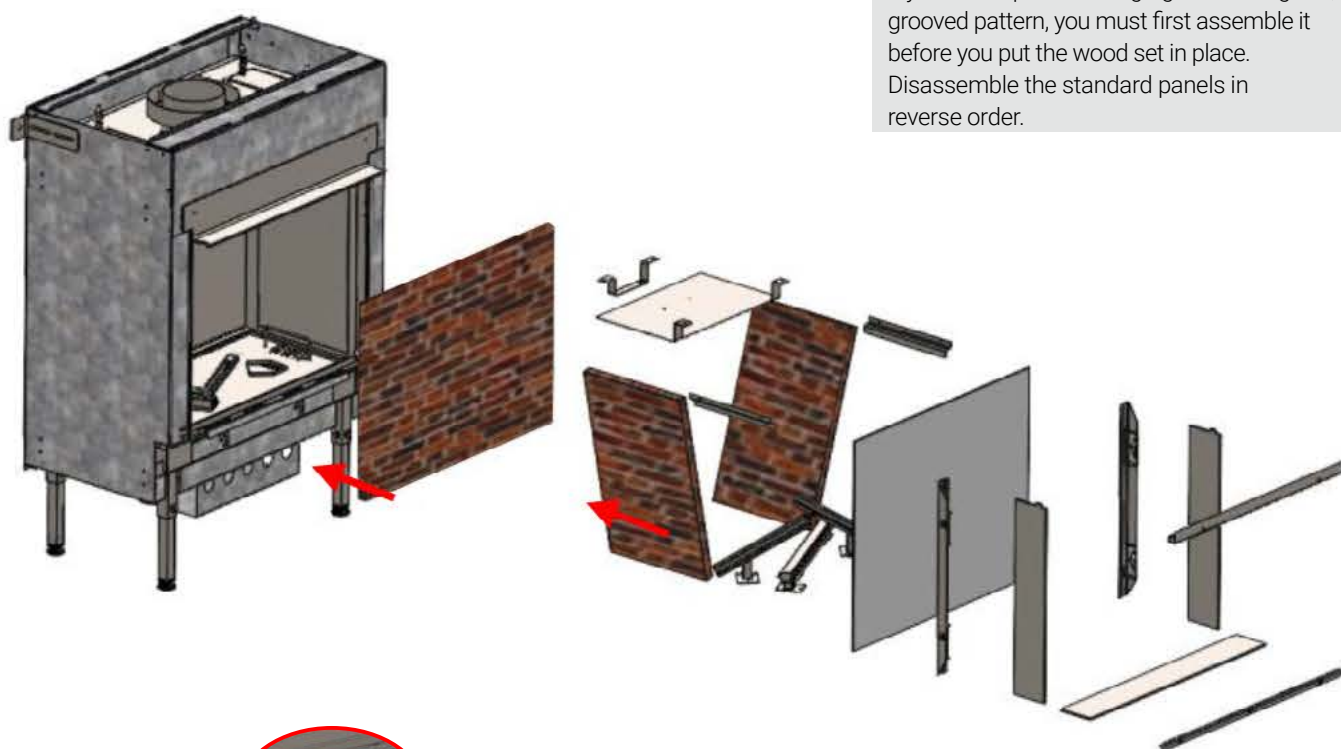
NOTE
 If you have opted for a high-gloss black glass, grooved pattern, you must first assemble it before you put the wood set in place. Disassemble the standard panels in reverse order.



Stone pattern rear wall for Trimline 83 Front

NOTE

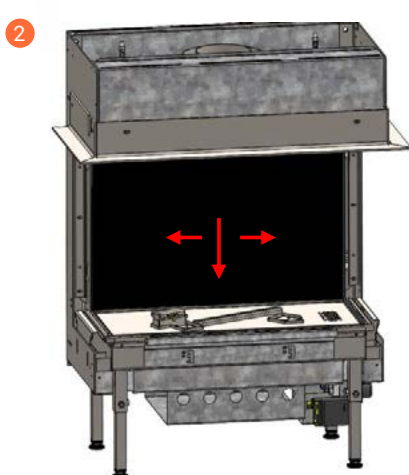
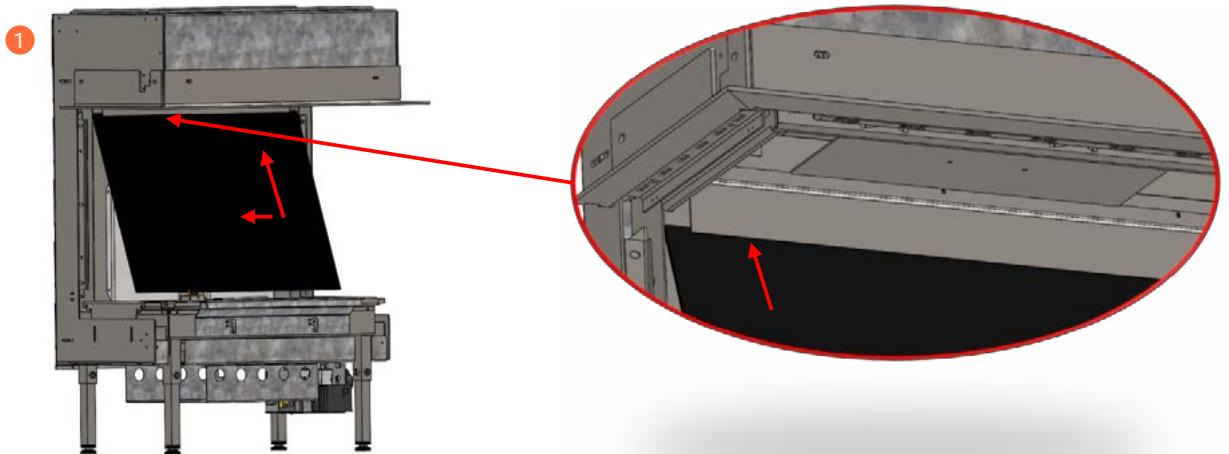
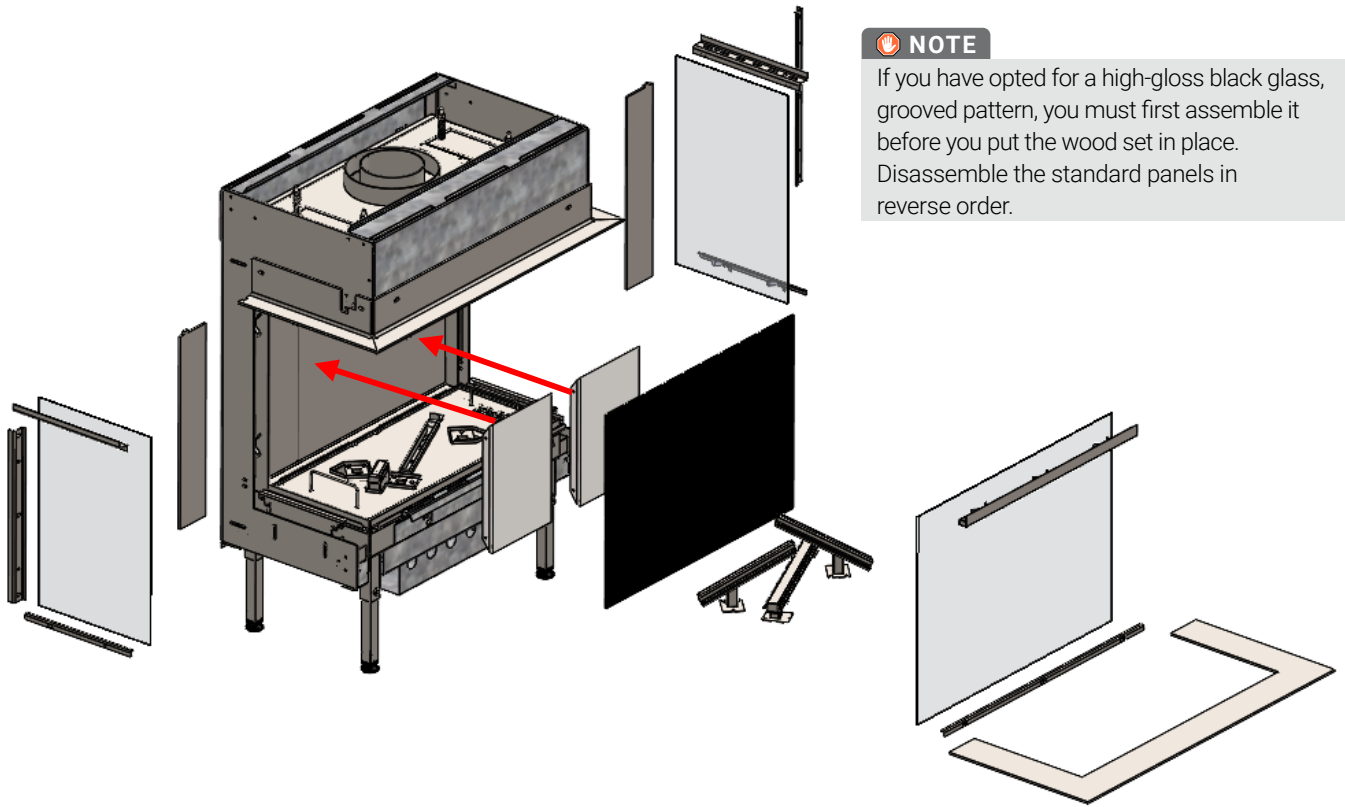
If you have opted for a high-gloss black glass, grooved pattern, you must first assemble it before you put the wood set in place. Disassemble the standard panels in reverse order.



Black glass rear wall for Trimline 83 Panoramic

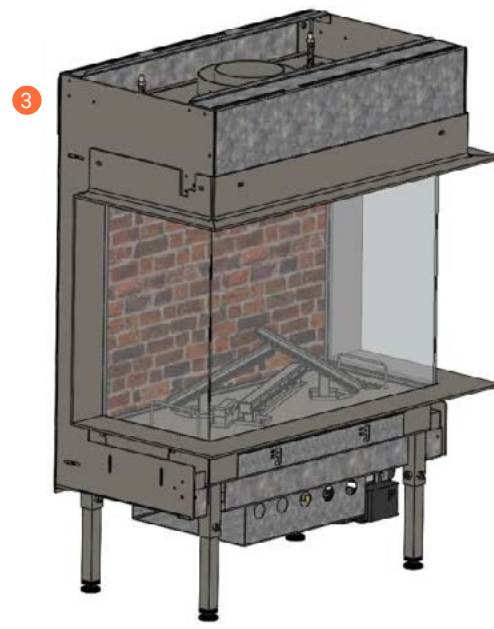
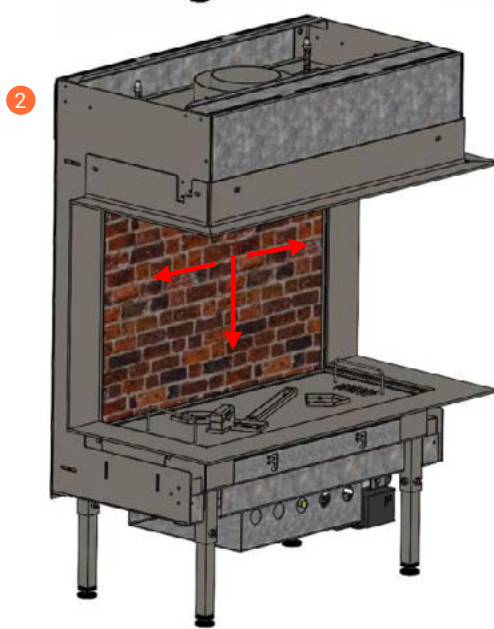
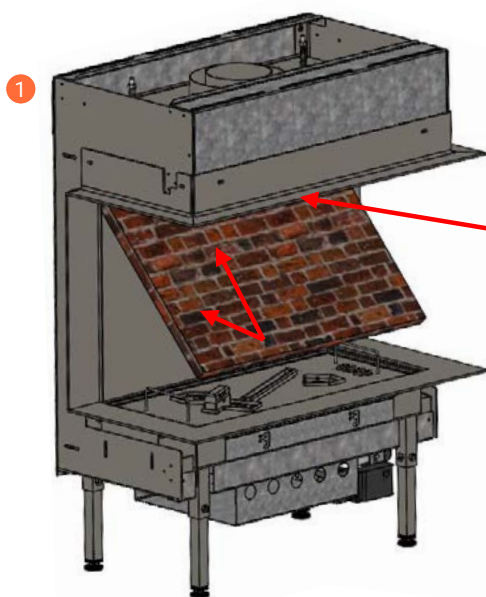
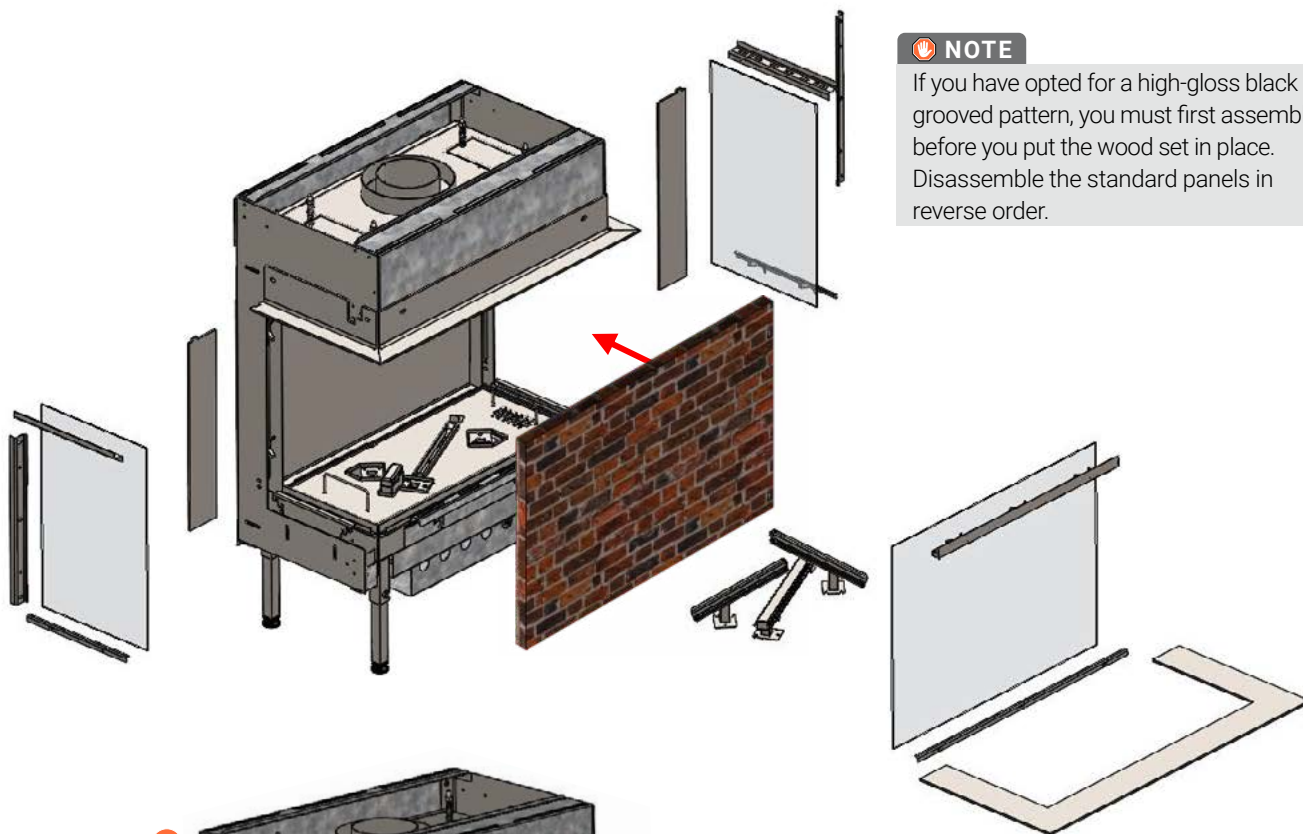
NOTE

If you have opted for a high-gloss black glass, grooved pattern, you must first assemble it before you put the wood set in place. Disassemble the standard panels in reverse order.



NOTE

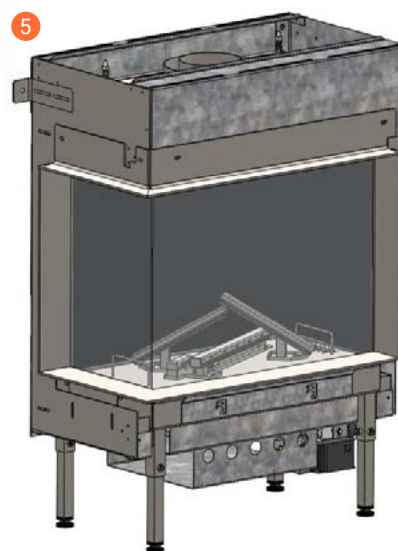
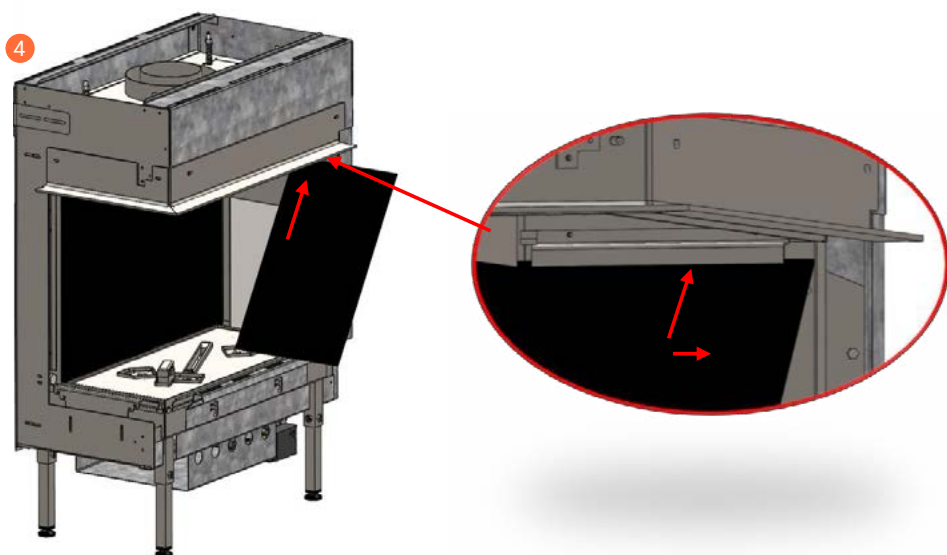
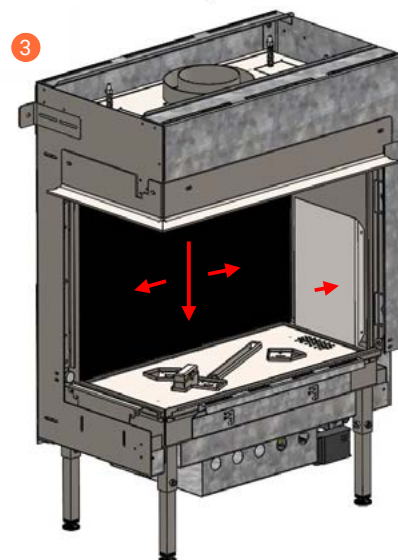
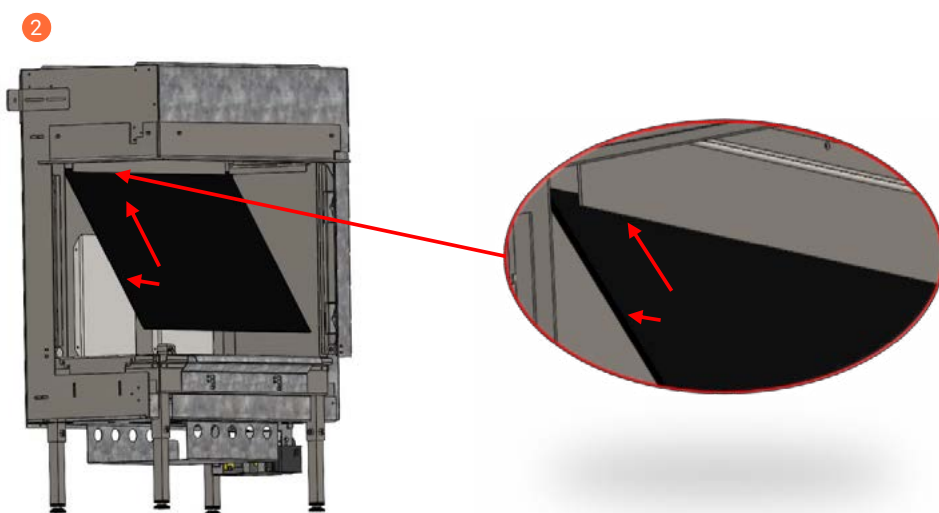
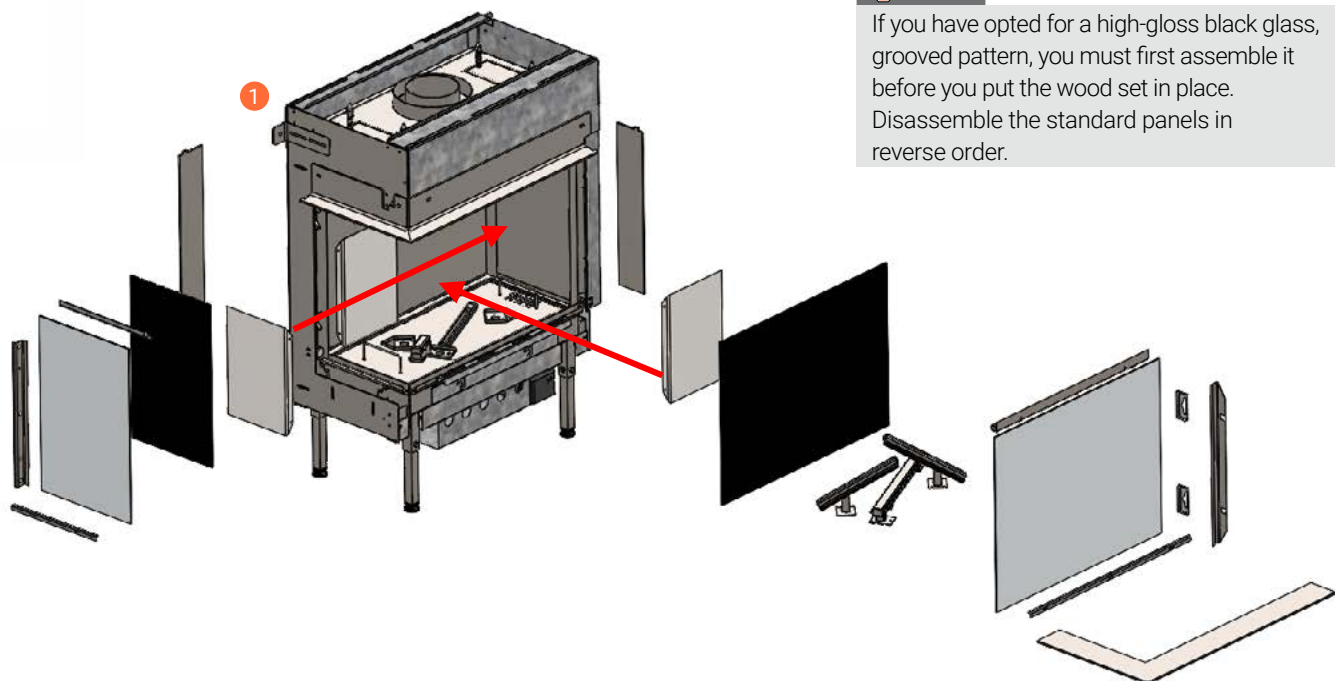
If you have opted for a high-gloss black glass, grooved pattern, you must first assemble it before you put the wood set in place. Disassemble the standard panels in reverse order.



Black glass rear wall for Trimline 83 Corner

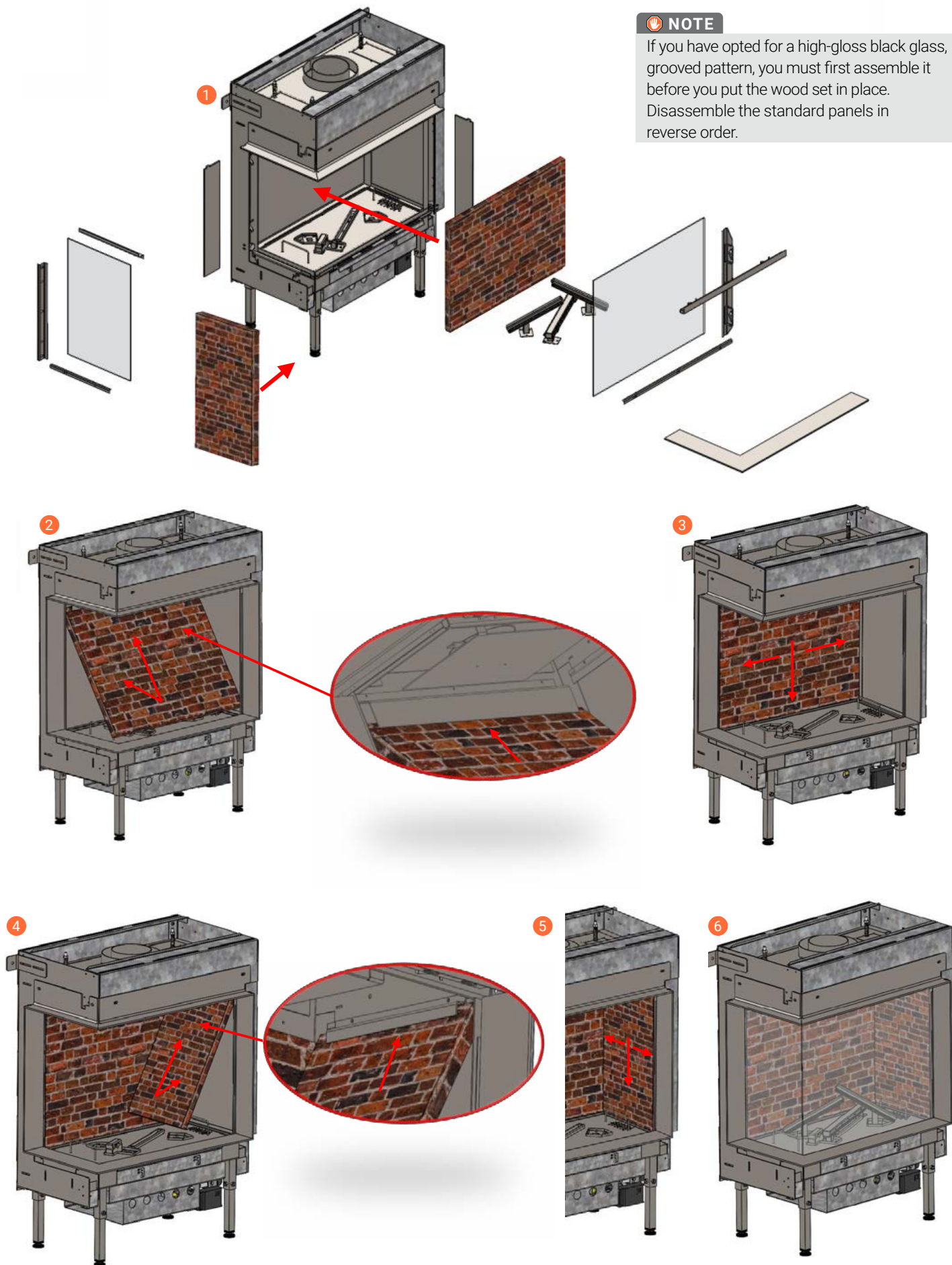
NOTE

If you have opted for a high-gloss black glass, grooved pattern, you must first assemble it before you put the wood set in place. Disassemble the standard panels in reverse order.



NOTE

If you have opted for a high-gloss black glass, grooved pattern, you must first assemble it before you put the wood set in place. Disassemble the standard panels in reverse order.



6 FITTING THE LED GLOW BED MODULE (OPTIONAL)

The LED glow bed module **1** consists of:

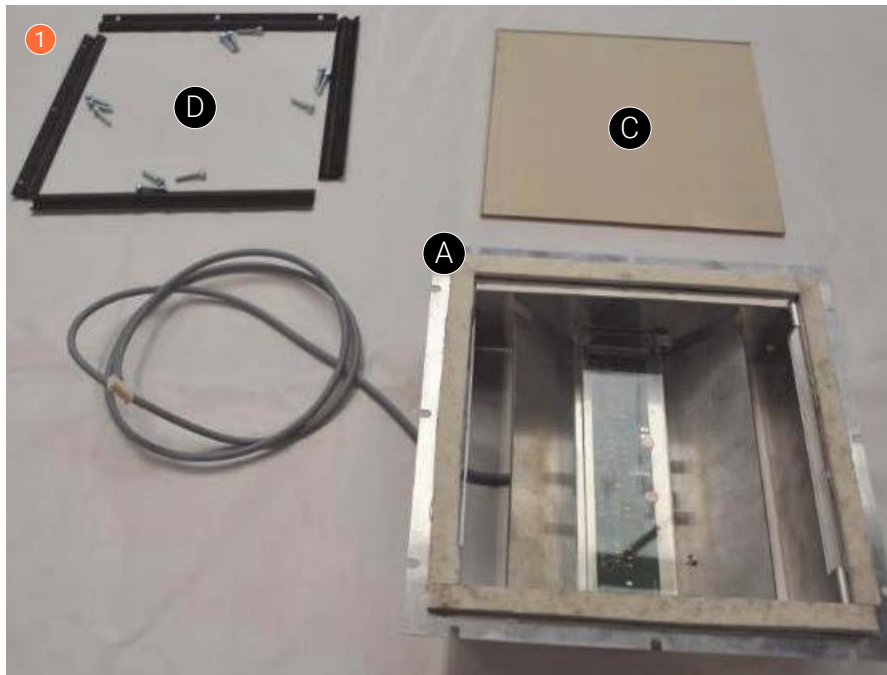
- A** LED unit
- B** Mains adapter (not shown)
- C** Glass pane
- D** Glassholders

- Disassemble the burners and remove the burners and burner mesh from the appliance. The burner mesh is equipped with extendable lifting brackets **2**. Remove the plate between the burner feet. **3 4**
- Take the LED unit out of the packaging and guide the cable through the freed recess, and then put the LED unit in place in the recess. **5 6**

- Place the glass, smooth glossy side up, on top of the gasket and check the seal. **7 10 11 12**
- Fit the glazing bars on the LED unit and tighten the screws (not too tight to avoid glass breakage). **8**
- Connect the cable to the receiver and connect the receiver to the mains 230 V only using the adapter supplied. Check the LED unit is working (see user manual). **9**
- Place the burner mesh and burners in the correct position, check the gaskets are not damaged, ensure a 100% seal of the burners.

NOTE

The Maxitrol adapter is not suitable for the LED unit.

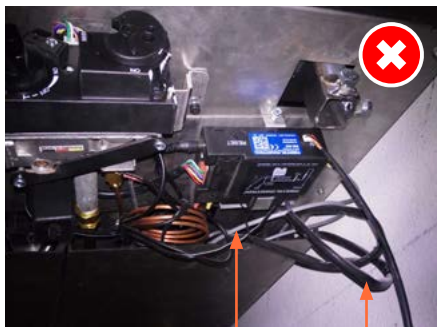


⚠ WARNING

The LED module cable must not touch the ignition cable. Beware of this during installation and after maintenance.



Ignition cable LED module cable



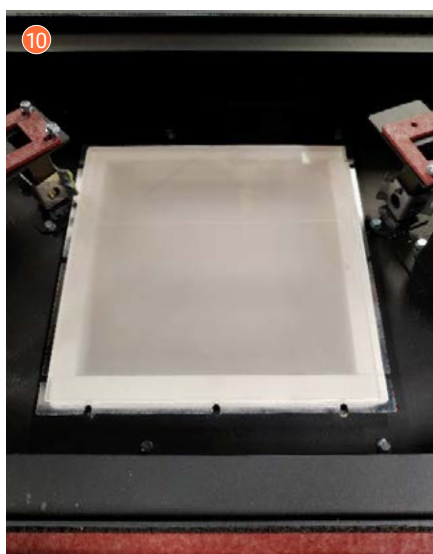
LED module cable Ignition cable



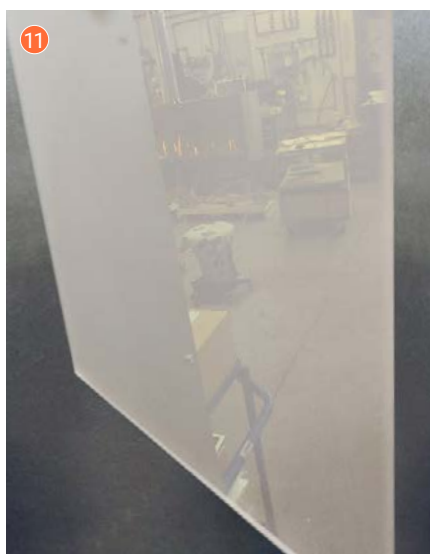
LED module cable Ignition cable



The implementation of the glass is matt.



Gloss side must face up



Glossy side



Matte side

6.1 AR glass (Optional)

AR glass is a non-reflecting glass. This glass has an AR coating on both sides of the glass. The anti-reflection layer reduces the reflection to a minimal gloss.

NOTE

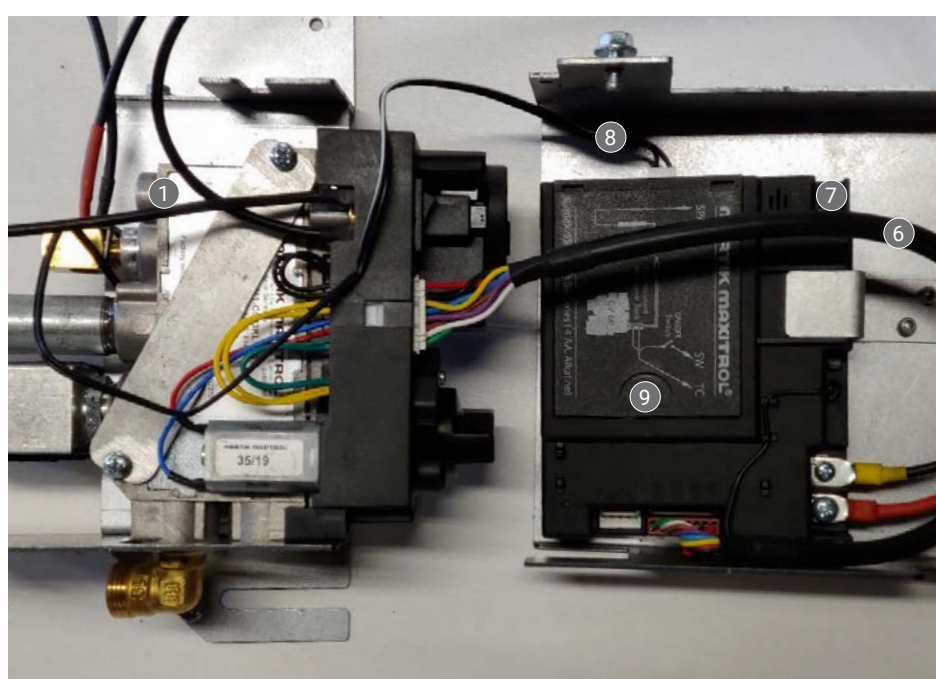
- The AR glass with coating is more sensitive to damage than normal glass.
- Always wear soft cotton gloves when removing and installing AR glass.
- The rubber suction cup(s) must be clean.
- If the dismantled glass panel is damaged (scratches and/or damaged edges) do not use the glass pane; notify the supplier.
- Use the thermoCet cleaner set to clean the AR glass. Other cleaning agents can damage the AR glass coating.
- Do not use hard (abrasive) sponges, steel wool, abrasives and/or cleaning agents containing ammonia, (citric) acid or ceramic hob cleaner.
- Do not leave any residue, such as fingerprints, behind. These will burn in and cannot be removed.

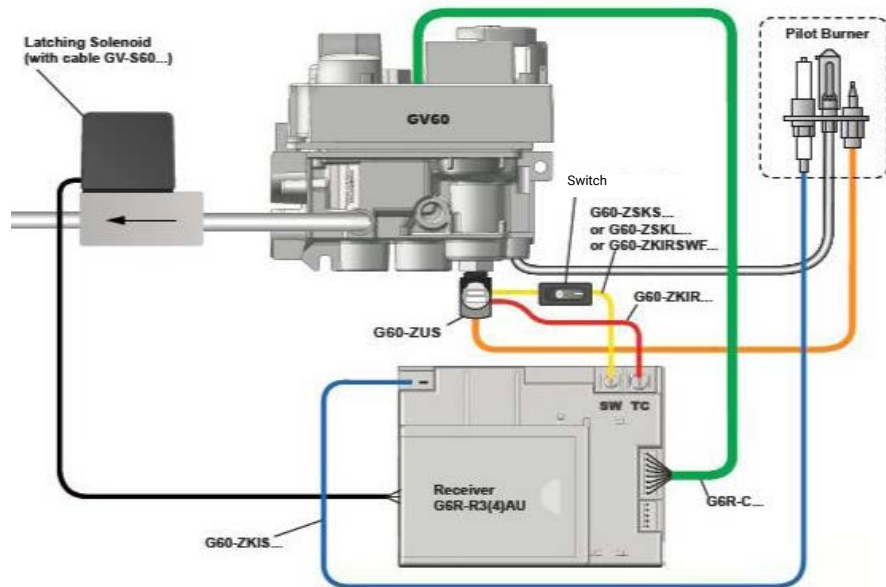
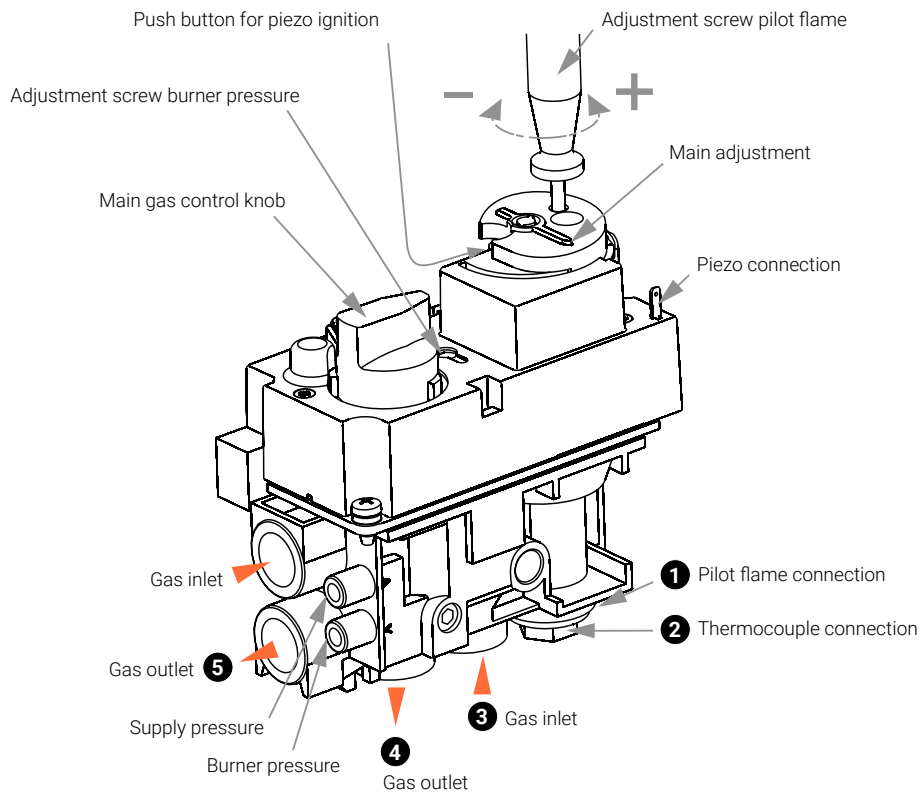
IMPORTANT

After lighting for the first time, a haze may form on the inside of the glass panel. When the appliance has cooled down after the first use, the glass must be cleaned immediately. The glass must be cleaned again after the appliance has been in use for a month. After this, the amount of cleaning can be determined depending on the frequency of use of the appliance. Bear in mind that the glass can become dull if it is not cleaned in good time. Cleaning then becomes more difficult.

7 TECHNICAL DETAILS MAXITROL GV60

Gas valve type	Maxitrol GV60	
Burner control	B6R-R8P (WiFi-Ready)	
Ignition	Remote control operation and piezo ignition	
Gas connection	<ul style="list-style-type: none"> ❶ Pilot burner connection ❷ Thermocouple connection ❸ Gas inlet 3/8" externally ❹ Rear burner/outer burner gas outlet ❺ Front/centre burner gas outlet 	<ul style="list-style-type: none"> ❻ Multi-cable ❼ Ignition cable connection point ❽ Double burner connector ❾ Receiver
Unit category	C11-C31-C91	
Pilot flame	SIT 3 flames	
Security	Thermocouple principle	





Schematic diagram.

⚠ WARNING

Sealed parts must not be adjusted.

8 INSTRUCTIONS FOR MAXITROL GV60

⚠ WARNING

- Ensure the fuel supplied to the appliance is clean and free from particles and moisture.
- The appliance must not be turned on if the glass pane(s) is not present and/or is broken.

Before a gas supply pipe (new or existing) is connected to the main gas pipe at the gas meter and to the gas valve of the appliance, clean and dry compressed air needs to have been blown through it. Copper and aluminium pilot flame pipes that have been cut must be deburred and blown clean before they are connected.

Heat, moisture and dust are a threat to all electronic components

Protect the electronic gas control until all construction, plastering and paintwork has been completed. If you cannot avoid this work, then protect the control against dirt and moisture penetration by covering it with plastic film for instance.

⚠ WARNING

- Electronic components become permanently faulty when they are exposed to temperatures higher than 60°C. Normal AA batteries will crack open at temperatures >54°C and the battery contents will damage the electronic switches below. Batteries have the longest life span at <25°C.
- Only install the gas valve and receiver as pre-installed at the factory.
- Remember that components may have to be replaced or that repairs may have to be performed at a later date. This may prove to be more difficult if the control is installed in a different way to how we have described in instructions.

Only insert the batteries after the receiver, gas valve and pilot flame have been wired.

Premature connection to the power source can damage the electronics. In the version with the LED module, inserting the batteries is not permitted. Use the mains adapter supplied with the LED module.

🔧 NOTE

Batteries must not be fitted in the receiver when using the power adapter.

Ensure the ignition cable is not near the antenna wire and that they do not cross each other.

The high voltage released during ignition may damage the sensitive receiver circuit of the antenna. This could mean the appliance becomes less responsive or totally unresponsive to commands from the handset.

Ensure the ignition cable is not near the antenna wire and that they do not cross each other.

The high voltage released during ignition may damage the sensitive receiver circuit of the antenna. This could mean the appliance becomes less responsive or totally unresponsive to commands from the handset.

🔧 NOTE

- Do not tighten the contact breaker and the thermocouple connection too tightly on the gas valve.
- It is sufficient to tighten by hand and add a half a turn with an open-end spanner. Tightening too much will break the connection to the magnetic coil below and/or the insulation around the aluminium contact pin in the contact breaker. This may cause the magnetic coil to not open the gas supply to the pilot flame and prevent the appliance from functioning.

Extend the supplied thermocouple with just the original extension. (Available from your supplier) Unauthorized extension of the thermocouple has the effect of stress reduction, thereby the magnetic coil can not be activated.

Prevent leakage of ignition spark to parts of the installation other than the ignition rod on the pilot flame. Ensure the ignition cable is not in contact with the body or other metal parts. If a cable extension is used, ensure the connections have additional silicone insulation.

The receiver and the control units on the gas valve should be switched on to ensure automatic start-up via the remote control. The oval disc on the gas valve should be turned to the **ON** position. The **I/O** switch should be set to **I**. The ignition cable should be connected to the **SPARK** connection point on the receiver.

The system's thermostat sensor is located inside the remote control. The remote control operates best at a distance of 2 or 3 metres away from the appliance. Although communication occurs via shortwave radio signals, it is recommended that you place the remote control in the line of sight of the gas appliance, in a place where the user wishes to experience a pleasant temperature. Do not place the manual transmitter in direct sunlight or other warm locations. The thermostat measures the temperature and, accordingly, regulates the flame size of the gas appliance.

🔧 NOTE

- Sealed parts must not be adjusted, to do so would void the warranty.
- A waiting time of 5 minutes between each start attempt must be observed.
- Remove batteries not with a metal tool. Removing batteries with a metal object can permanently damage the electronic control.

9 GAS-TECHNICAL SPECIFICATIONS

Type of indication(s)		1180 (Front), 1181 (Panoramic), 1182 (Corner Left), 1183 (Corner Right)			
Appliance type		C11, C31, C91 closed combustion			
Concentric extraction system		Holetherm CC 100-150/130-200			
Gas type		G25.3	G20/25	G20	G20↔25
Supply pressure in mbar		25	20	20	20↔25
Country		NL	DE	AT/CH/CY/CZ/DK/EE/ES/FI/FR/GB/GR/HR/IE/IT/LT/LU/LV/NO/PT/RO/SE/SI/SK/TR	BE/FR
Category		I ₂ EK	I ₂ ELL	I ₂ H	I ₂ E*
Primary air per burner	mm	L/R 2xØ4 Mid 2xØ5	L/R Ø4,5/Ø5 Mid 2xØ5	L/Rs Ø4,5/Ø5 Mid 2xØ5	L/R Ø4,5/Ø5 Mid 2xØ5
Supply pressure	mbar	25	20	20	20
Burner pressure - high position	mbar	20,7	16,7	16,7	16,7
Burner pressure - low position	mbar	9,5	7,6	7,6	7,6
Injector orifice	Ømm	L/R 1,55 - Mid 1.7	L/R 1,55 - Mid 1.7	L/R 1,55 - Mid 1.7	L/R 1,55 - Mid 1,7
Pilot flame injector	CODE	51	51	51	51
Low position orifice	mm	Adjustable	Adjustable	Adjustable	Adjustable
Load Hs	kW	12,1	10,5	12,8	12,8
Load Hi	kW	10,9	9,5	11,5	11,5
Gas consumption	m ³ /h	1,31	1,16	1,20	1,20
Nominal power - high position	kW	8,6	7,4	8,8	8,8
Nominal power - low position	kW	2,5	2,6	2,6	2,6
NOx Hi EN613	classe	5	5	5	5
Efficiency Class EN613		2	2	2	2
Useful return (NCV) system**					
For nominal heat output	%	78	77	78	78
For minimal heat output	%	75	74	75	75
Supplementary electricity consumption					
Nominal	kWh	0,0072	0,0072	0,0072	0,0072
Stand-by	kWh	0,0003	0,0003	0,0003	0,0003
Energy efficiency***					
Energy efficiency index (EEI)	%	78	77	78	78
Energy label		C	C	C	C
NOx Hs	mg/kWh	98	90	98	98
Heat output type/room temperature control					
Indirect heat functionality					No
Single stage heat output, no room temperature control					No
2 or more manually-adjustable stages, no control of the room temperature					No
With mechanical control of room temperature by thermostat					No
With electronic control of room temperature					Yes
With electronic control of room temperature plus day-time switch					Yes
With electronic control of room temperature plus week-time switch					Yes
Other control options					
Control of room temperature with presence detection*					Yes
Control of room temperature with open window detection*					Yes
With remote control option					Yes

* In combination with home automation

** Shortest system path

*** EU directive 2015-1186/1188



Type of indication(s)		1180 (Front), 1181 (Panoramic), 1182 (Corner Left), 1183 (Corner Right)	
Appliance type		C11, C31, C91 closed combustion	
Concentric extraction system		Holetherm CC 100-150/130-200	
Gas type		G30/31	G30/31
Supply pressure in mbar		(28-30)-37	30/50
Country		BE/CH/CY/CZ/ES/FR/GB/GR/IE/IT/LT/PT/SI/SK	NL/CH/CY/CZ/ES/FR/GB/GR/IE/IT/LT/PT/SI/SK/AT/CH/DE/FR/SK
Category		I3+	I3B/P
Primary air per burner	mm	L/R 4xØ15 - Mid 2xØ15/1xØ12	L/R 4xØ15 - Mid 2xØ15/1xØ12
Supply pressure	mbar	(28-30)-37	30/50 If burner pressure is 50 mbar, make corrections
Burner pressure - high position	mbar	28,5	28,5
Burner pressure - low position	mbar	8,6	8,6
Injector orifice	Ømm	L/R 1,0 - Mid 1,15	L/R 1, - Mid 1,15
Pilot lame injector	CODE	30	30
Low position orifice	mm	Adjustable	Adjustable
Load Hs	kW	12,9	12,9
Load Hi	kW	11,9	11,9
Gas consumption	m³/h	0,37	0,37
Nominal power - high position	kW	9,6	9,6
Nominal power - low position	kW	2,6	2,6
NOx Hi	classe	5	5
Efficiency Class EN613		2	2
Useful return (NCV) system**			
For nominal heat output	%	80	80
For minimal heat output	%	76	76
Supplementary electricity consumption			
Nominal	kWh	0,0072	0,0072
Stand-by	kWh	0,0003	0,0003
Energy efficiency***			
Energy efficiency index (EEI)	%	80	80
Energy label		C	C
NOx Hs	mg/kWh	111	111

Heat output type/room temperature control	
Indirect heat functionality	No
Single stage heat output, no room temperature control	No
2 or more manually-adjustable stages, no control of the room temperature	No
With mechanical control of room temperature by thermostat	No
With electronic control of room temperature	Yes
With electronic control of room temperature plus day-time switch	Yes
With electronic control of room temperature plus week-time switch	Yes
Other control options	
Control of room temperature with presence detection*	Yes
Control of room temperature with open window detection*	Yes
With remote control option	Yes

* In combination with home automation

** Shortest system path

*** EU directive 2015-1186/1188

Suitable for biopropane.

10 CONCENTRIC PATHWAYS

Table of concentric pathways						
Pathway	Illustration	X total in metres		Y total in metres		Restriction
		Min*	Max*	Min*	Max*	
X = vertical and Y = horizontal						1180 to 1183
Indirect façade outlet G20/25/25,3	A-B	1	3	0	5,5	See restriction conditions
Indirect façade outlet G30/G31	A-B	1	3	0	3,5	See restriction conditions
Roof pass-through without slope	C	2	12			See restriction conditions
Roof pass-through with 45° slope**	D	3	12	0	4	From X total - Y > 6 meter: 55mm
Roof pass-through with 90° slope***	E	3	12	0	2	From X + X1 - Y > 6 meter: 55mm

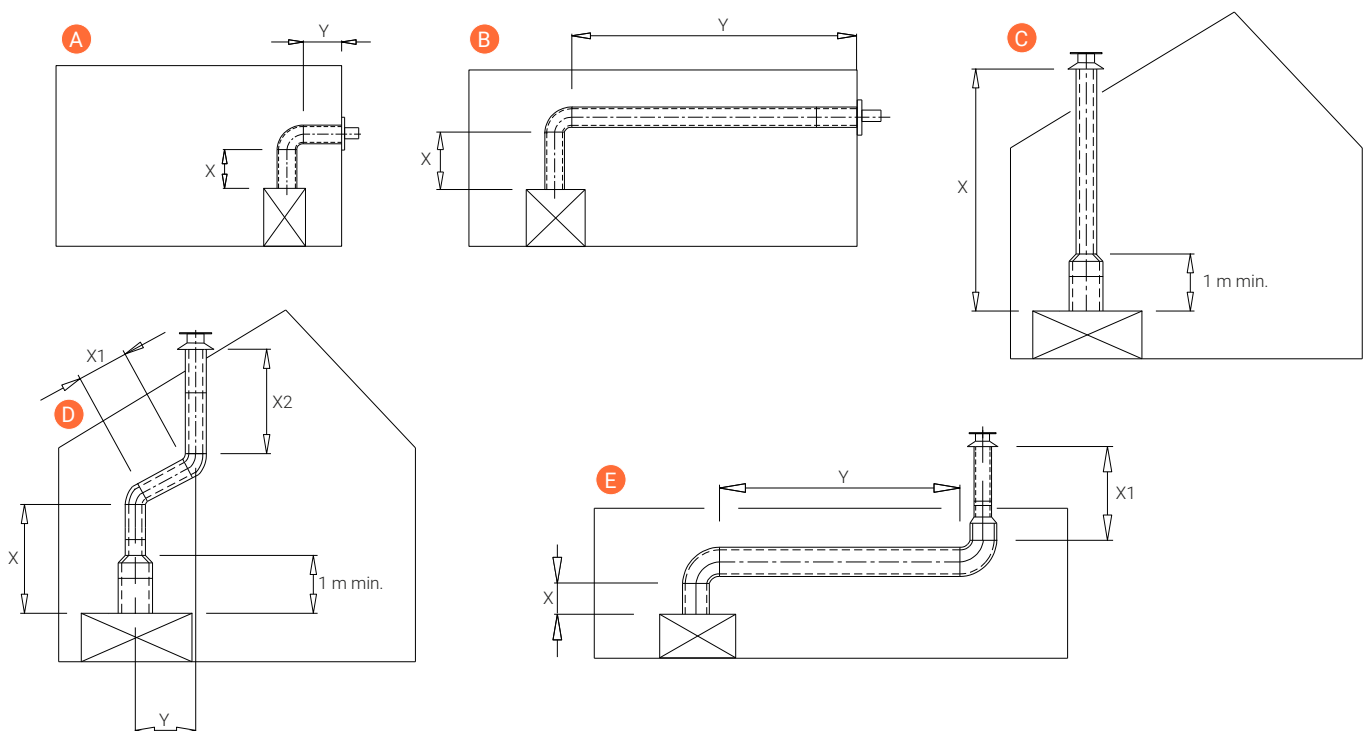
45° Bend: calculation length 1 metres, 90° Bend: calculation length 2 metres

* Length including roof or exterior wall outlets. Always adhere to a starting length of 1 metre

** Ratio vertical : horizontal X + X1 + X2: Y ≥ 2: 1

*** Ratio vertical : horizontal X + X1: Y ≥ 2: 1

Restriction conditions all gas types		
Vertical lay out		
Distance	Baffle plate	Restriction
2-6 meter	Yes	55mm
6-12 meter	Yes	60mm
Horizontal lay out		
G25/25.3 horizontal sections up to 5.5 meters including wall ducts		
1m 90° and 0.5m	Yes	55mm
1m 90° and 5.5m	No	No
G25/25 horizontal sections up to 5.5 meters including wall ducts		
1m 90° and 0.5m	Yes	60mm
1m 90° and 5.5m	No	No
G30/31 horizontal sections maximum 3.5 meters including wall duct		
1m 90° and 0.5m	Yes	60mm
1m 90° and 3.5m	No	No



11 CONCENTRIC FLUE SYSTEM

The concentric flue system is composed of an inner flue and an outer flue. These flues have been set up concentrically so the combustion gases will be discharged via the internal flue while the fresh combustion air is supplied via the gap between the inner and outer flues.

11.1 Components of the concentric flue system

Different connections are possible using the concentric flue system. These are:

Through the roof face and through the exterior wall

The pathway used for this system can be laid in different ways, but there are a few important conditions:

- The total allowed vertical flue length must not exceed 12 metres (the sum of the flue length and calculation lengths for the bends). See chapter 10 *Concentric pathways*.
- 90° bends have a 2-metre horizontal calculation length.
- 45° bends have a 1-metre horizontal calculation length.
- The outlet can be installed at any point on the roof face or exterior wall (supply and discharge in an identical pressure area), but must meet applicable regulations.
- Flue pathways must not be insulated.

NOTE

- Ensure the restrictor is mounted in the correct manner, as indicated in these instructions.
- The correct restrictor will provide the appliance with the most optimal efficiency, flame image and combustion.
- Mounting an incorrectly placed restrictor may cause malfunction of the appliance.

11.2 Construction of concentric flue system

Indirect wall connection

- The outlet may also be installed in an upwards exhaust in the wall, taking any hindrance to the surrounding area into consideration, in accordance with local standards and regulations.

NOTE

Ensure wind pressure on the outlet is not excessive, such as in locations with a balcony, flat roof, corners and very narrow alleys, etc., as this can negatively affect the performance of the appliance.

- Make a recess in the façade of around 155mm or 205mm when using respectively Ø100-150 and Ø130-200 flues (keep an extra space of 50mm in a refractory façade around the outer tube) and fit the façade pass-through with the wall plate on the inside of the wall. The wall plate of the exterior façade pass-through must be sealed sufficiently against the wall on the outside to avoid moisture and/or flue gas leaks leaking into the living space.

- The flue should be encased if necessary. Even if the flue is to be installed along non-refractory materials, sufficient fire-resistant measures must be taken.
- Determine the position of the appliance and outlet and begin construction of the flue with the connection on the appliance, paying attention to the direction of installation and connecting the elements by means of clamp strips.
- An adjustable pipe can be used between the bends or when connecting to the appliance. If necessary, use wall brackets to support the flue.

Mounting using the roof pass-through option

- The flue outlet can be located at any random place on the roof face (supply and exhaust in identical pressure areas) and must meet the applicable rules and regulations.
- A roofing sheet for a flat roof or a roofing for sloping tiled roofs can be used for a watertight duct. Use various bends for the slope, if required. The recess in the roof decking should be 50mm larger all around to ensure sufficient fire resistance.
- One needs to take into account the regulation regarding fire resistance between rooms. (For this, see the applicable local standards and regulations.) A casing of fireproof material (for example, 12mm Promatect fire-resistant plate) should be applied up to 25mm from the outer flue.
- Determine the position of the appliance and the outlet and begin the construction of the flue with the connection on the appliance (always 1 metre vertical first) pay attention to the direction of installation. The inner flue must be installed for draining purposes. Connect the elements using the clamping straps. Ensure all connections are gastight.
- An adjustable pipe can be used between the bends or when making the connection to the appliance and/or the roof pass-through. Use 2 wall brackets to support the flue on each floor.

11.3 Installation instructions regarding existing flues

APPENDIX 2

Instructions

The flue gas exhaust system falls within category: C91 and must be built in accordance with national rules and regulations and the instructions of the manufacturer, as specified in the documentation and installation instructions. This means, among other things, that the chimney pass-through must not be smaller than 150mm round/square, but no larger than 200mm, and not ventilated by grilles, etc. In the case of larger chimney pass-throughs, a flexible hose of around 150 mm may possibly be used in combination with a flexible hose of around 100mm, as described below. For other situations, consult your supplier.

11.4 Parts

Check all parts for damage before commencing the installation. For the conversion of a brick flue to concentric flue, connected to CC flue system, you need the components described in [APPENDIX 3](#).

NOTE

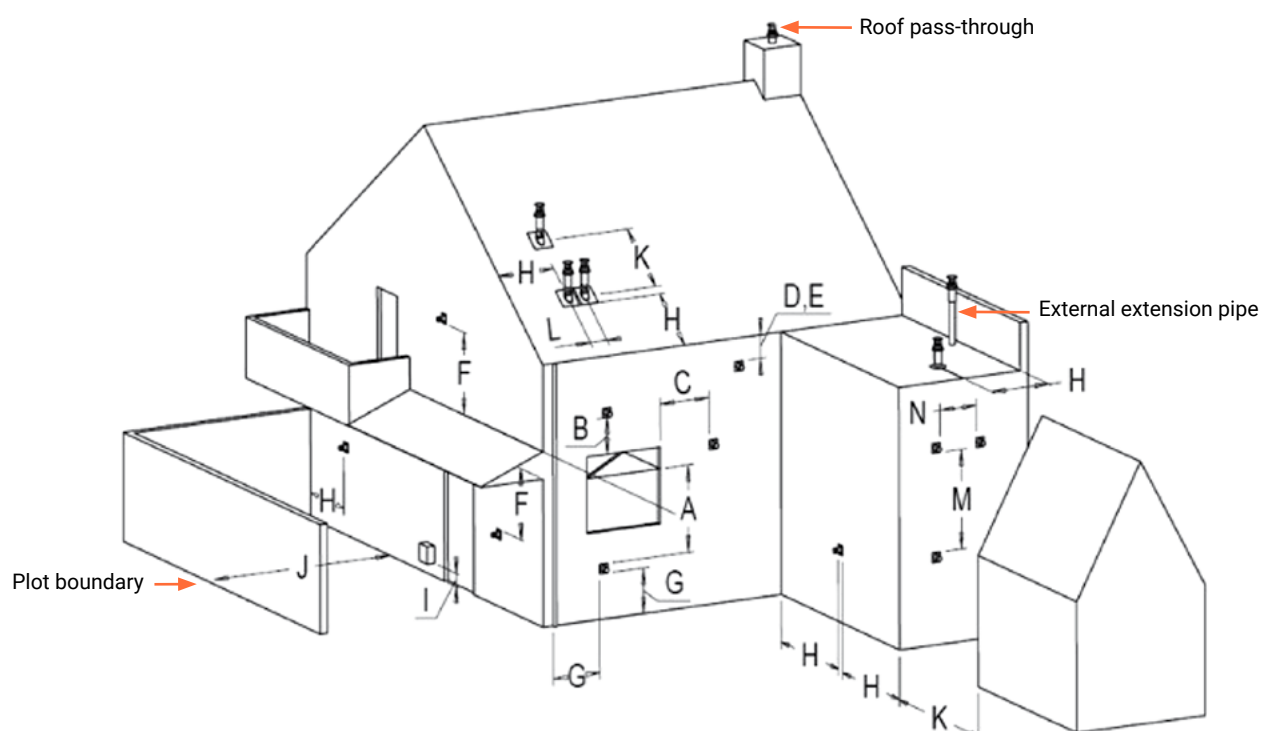
The renovation/sanitation set consists of parts:

- ③ Interior mounting plate
- ④ Sliding element
- ⑦ Chimney mounting plate

11.5 Installation

- Guide the flexible hose ⑤ through the existing flue ⑥.
- Attach the slider ④ to the bottom of the flexible hose and secure this in place using two Parker screws.
- Keep the bottom of the slider at the same height as the bottom of the flue or ceiling.
- Shorten the flexible hose to approximately 100mm above the chimney coping.
- Attach the mounting plate to the flexible hose on the roof ⑦, clamp it with a hose bracket. Stainless steel Ø90 to 165, secure the whole with Parker screws.
- Attach the mounting plate to the chimney coping watertight on the roof ⑦ using silicone sealant and stainless steel screws.
- Install the roof pass-through ⑨ and secure it in place using the supplied clamping strip ⑧.
- The slider ④ will protrude approximately 100mm underneath the flue or ceiling after installation.
- Attach the inner mounting plate ③ gastight against the bottom of the structural flue or against the bottom of the concrete floor using silicone sealant and screws.
- Position the appliance in accordance with the instructions of the appliance manufacturer
- Install a minimum of 1 metre of concentric flue type THC CC ①.
- Extend the concentric flue using sections up to a minimum of 100mm in the structural duct. Finally, turn the clamping strip by hand in the mounting plate inside ③.

12 PASS-THROUGH POSITIONS AND FUNCTION CORRECTLY



Dimensions	Outlet positions	Distance mm
A	Distance to ventilation openings	Room*
B	Distance to ventilation openings	Room*
C	Distance to ventilation openings	Room*
D	Lower gutter bottom pipes or exhaust lines	500
E	Under the eaves	500
F	Under a carport, roof or balcony, inside and outside corners	500
G	From ground level and rainwater drainage pipes	300
H	Inside and outside a corner	500
I	Above an external gas pressure regulator	1000
	Side of a gas pressure regulator	500
J	Conflict distance façade outlet	Room*
K	Roof drain centre to centre	1000
L	From the centre of both roof drains	450
M	Two wall drains above each other	1000
N	Two wall drains next to each other	1000

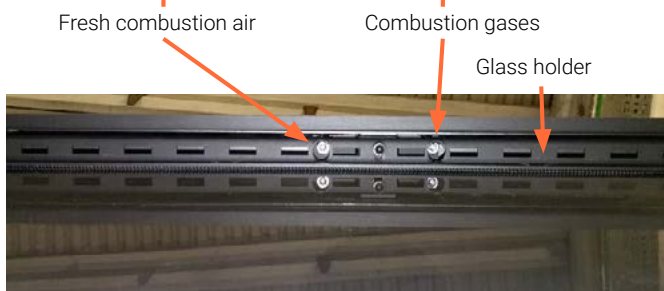
* In accordance with local building codes

13 CLEANING AND MAINTENANCE

- The appliance must be checked and serviced by a recognised installer at least once a year. The glass is also cleaned during this process.
- It is advisable to clean the outside of the appliance regularly, both in and out of the heating season.
- Do not use aggressive or corrosive cleaning agents or sharp objects.
- The concentric flue system must be cleaned every 2 years.
A check must be carried out on:
 - 1 seal of the flue and supply circuits
 - 2 seal of the upper and lower pressure release hatches of the appliance; check the gasket
 - 3 operation of the pressure release hatches; that they can open and close freely
 - 4 the operation of the gas valve and ignition of the burner

Measuring points

The appliance is equipped with measuring points to analyse the combustion gases and fresh combustion air. This allows the appliance to be checked.



14 QUICK REFERENCE GUIDE FOR FAULTSSEARCH FOR ENCLOSED APPLIANCES USING MAXITROL GV60 GASCONTROL

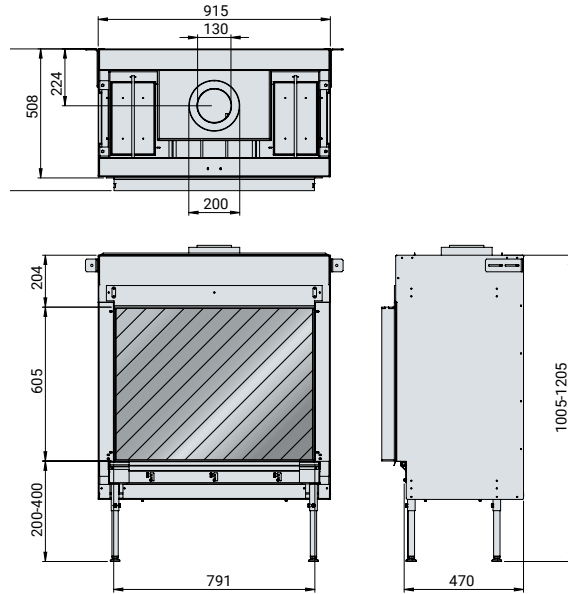
Function	Possible cause	Solution
1. Acoustic signals	1 long beep → reset switch OFF (0)	Set switch to (I)
	1 long beep → connections not complete	Check connections in thermocouple circuit
	1 long beep → 8-core cable defective	Check connections in connector/replace 8-core cable
	1 long beep → micro switch defective	Replace gas valve
	1 long beep → Sync not OK	Carry out new sync procedure for remote control/receiver
	3 short beeps → mains adapter	Replace batteries or 6-VDC adapter
2. No reaction remote control/receiver	Power supply problem	Check batteries/6-VDC adapter
	No sync remote/receiver	Carry out sync procedure
	Distance between remote control/receiver	Change position of receiver
	Defective receiver	Replace receiver
	Faulty remote control	Replace remote control
3. No pilot flame gas	Maxitrol GV60 DC magnet appliance does not open (no clicking noise from gas valve)	<ul style="list-style-type: none"> • Check wiring and breaker on thermocouple circuit • Check/replace 8-core cable between remote control and gas valve • 1 x sparks and stop: check ground cable under torx gas valve • Replace receiver • Replace gas valve
4. Poor/no spark	Spark cable loose	Check spark cable connections
	Short circuit between cable and metal	Check whether cable is free of metal parts
	Poor spark candle	Check spark candle for fractures, replace if necessary
	Distance of sparking candle to pilot flame head	Check distance is approximately 4mm
5. Pilot light difficult to ignite	Gas supply pressure too high, nervous flame	Adjust gas supply pressure or adjust the pilot flame pressure using the gas valve
	Gas supply pressure too low, short flame	Adjust gas supply pressure, check gas pipes, or adjust pilot flame pressure using the gas valve
	Air in (pilot flame) pipe, flame on/off	Blow pipes through, make air-free
	Injector blocked	Clean or replace pilot flame injector
	Blocked/curved pilot flame pipe	Check and clean pipe
	Pilot light head damaged	Check and replace pilot flame
6. Pilot light goes out after ignition	Small pilot flame, no flame on thermocouple tip	Check gas supply pressure, possibly too low
		Check pilot flame injector and gas pipe
	Nervous pilot flame flame, no flame on thermocouple tip	Check gas supply pressure, too high, adjust
		Adjust pilot flame pressure on gas valve
	Lazy pilot flame, no flame on thermocouple tip	Air in pipes, vent
		Check premix opening on pilot flame, must be open
	Poor connections in thermocouple circuit	Check cables/breaker in thermocouple circuit
		Check thermocouple connections in gas valve, do not over-tighten.
Measure thermocouple circuit voltage 4.5mV minimum		
Bad thermocouple	Check open circuit voltage of thermocouple (18-30mV), replace if necessary	
Poor DC magnet appliance in Maxitrol GV60	Replace gas valve	

Function	Possible cause	Solution
7. Pilot light goes out when the appliance is closed	False air along pilot flame holder/gasket	Check pilot flame holder and gasket for leaks
	False air hatches	Check pressure hatches/gasket is completely closed
	Main flame causes pilot flame to go out	Check restrictor/baffle in accordance with regulations
8. Pilot light/main flame off	Gas pre-pressure has dropped	Check correct dimensions of gas pipe or blockage, correct
	Main burner ignition, 3 beeps, low mains adapter voltage	Check batteries or 6-VDC adapter
	Too much/little transport in appliance/outlet	Check restrictor/baffle situation in accordance with instructions.
	Concentric outlet pathway incorrect	Check outlet pathway in accordance with instructions
	Recirculation, façade/roof mouth position incorrect	Check outlet in accordance with instructions
	Recirculation in closed outlet system	Check outlet connections
9. Main burner does not start up	Gas control valve knob to MAN	Check gas control valve knob to ON
10. Delayed ignition of main burner	Pilot light burner blocked	Check logs, pebbles, etc. are in the right position. pilot flame should be free of obstructions.
	Small/lazy pilot flame	Check and correct pressure and physical state of pilot flame burner
	Close main burner flame openings	Check and clean with a vacuum cleaner or similar device.
	Logs, etc. in wrong position	Check and correct, see instructions
11. Low main flame	Gas supply pressure too low	Check gas supply pressure and corrections
	Burner pressure too low	Check burner pressure, check instructions for correct values
12. No or little difference between high/low settings for main flame	Low position setting incorrect	Check and adjust low position in accordance with instructions
13. DB burner does not work	Defective step valve	Check whether clicking sound is perceptible, press button on remote control several times, replace valve if necessary
14. Sooty flame	Insufficient transport in appliance/closed drainage system	Check restrictor/baffle, follow instructions for correct value
		Check outlet system pathway in accordance with instructions
		Check outlet in accordance with regulations/instructions
	Excessive feed/burner pressure	Check and correct gas supply/burner pressure in accordance with instructions
	Blocked burner flame openings	Check and clean with a vacuum cleaner, for example
	Incorrect premix for main burners	Check and correct, see instructions
	Decorative logs, etc. in incorrect position	Check and correct, see instructions

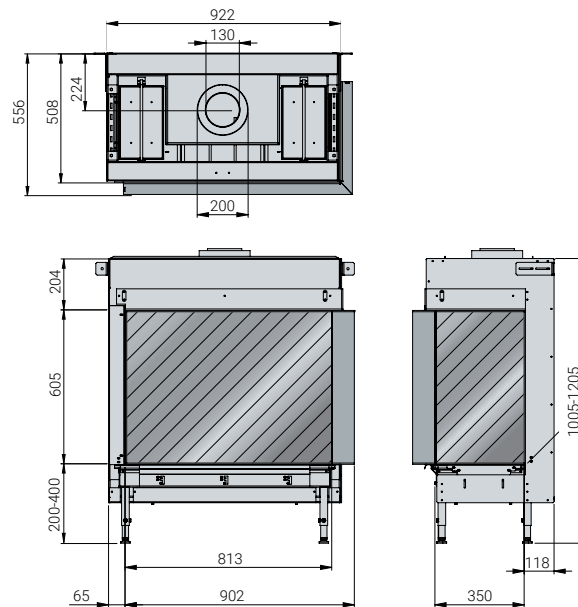
Appendix 1 DIMENSIONAL DRAWINGS

Measurements in mm

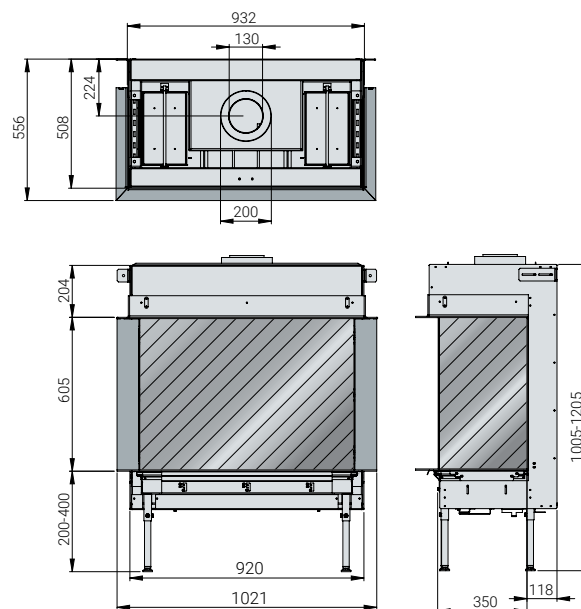
Trimline 83 Front DB



Trimline 83 Corner DB



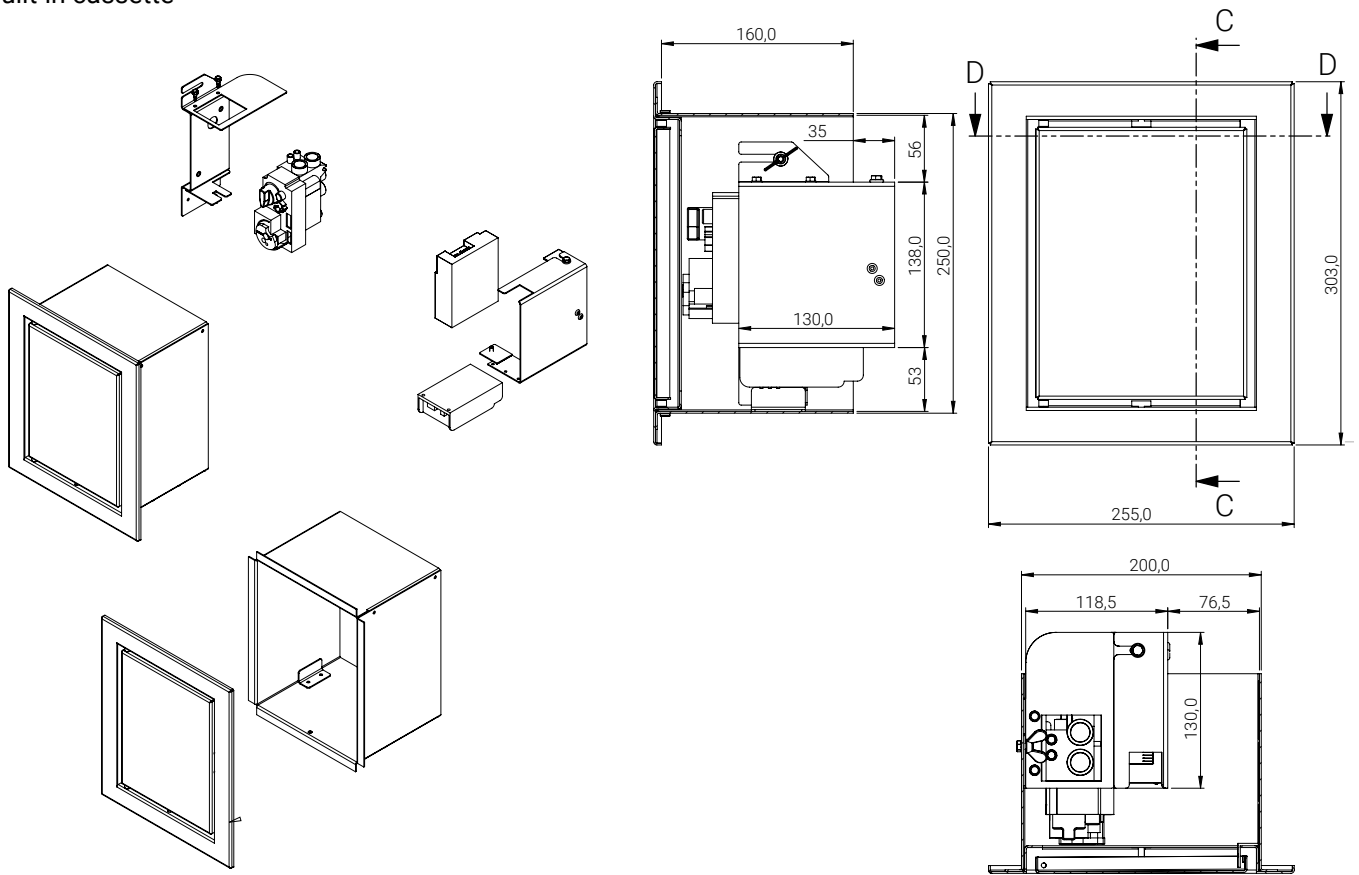
Trimline 83 Panoramic DB



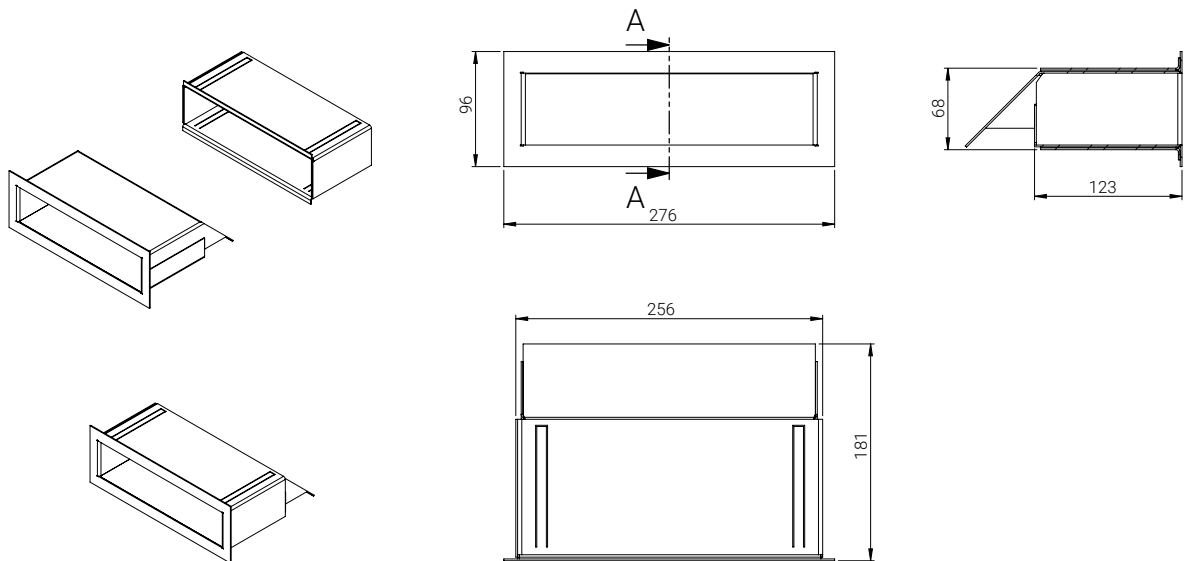
Appendix 1 CONTINUED

Measurements in mm

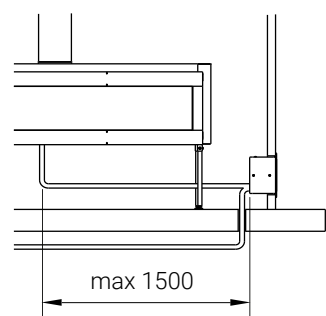
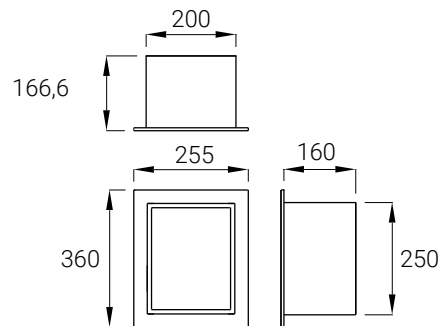
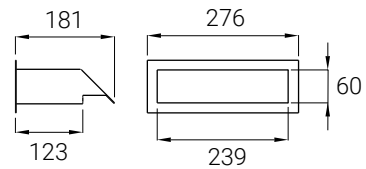
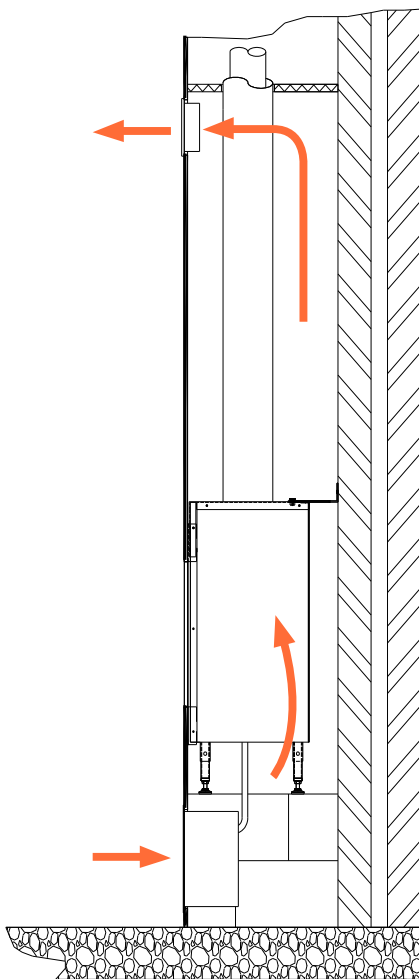
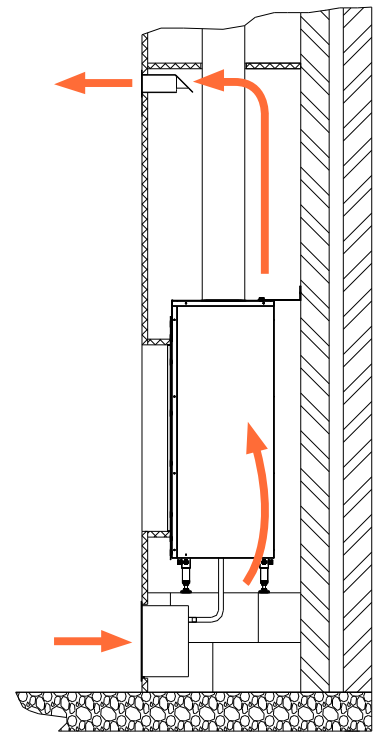
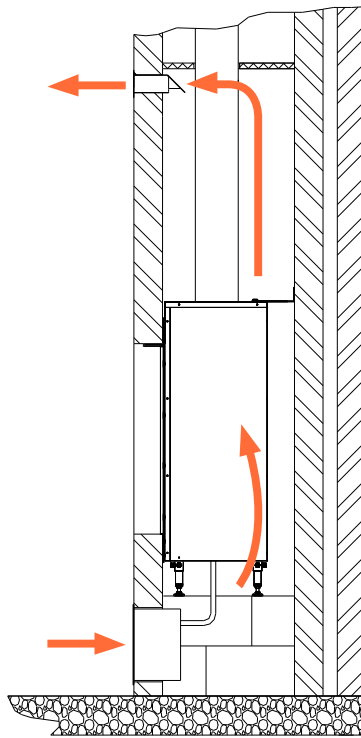
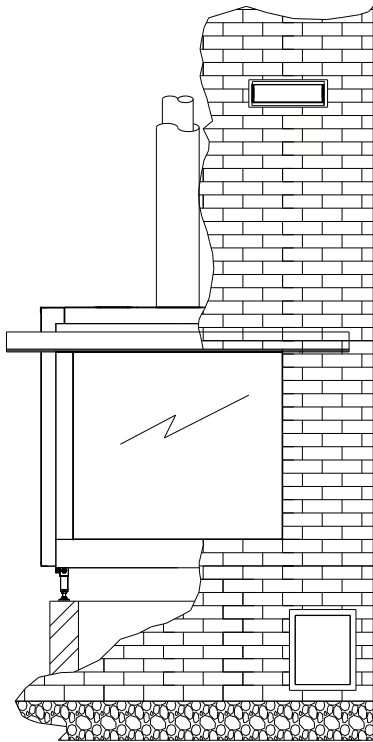
Built-in cassette



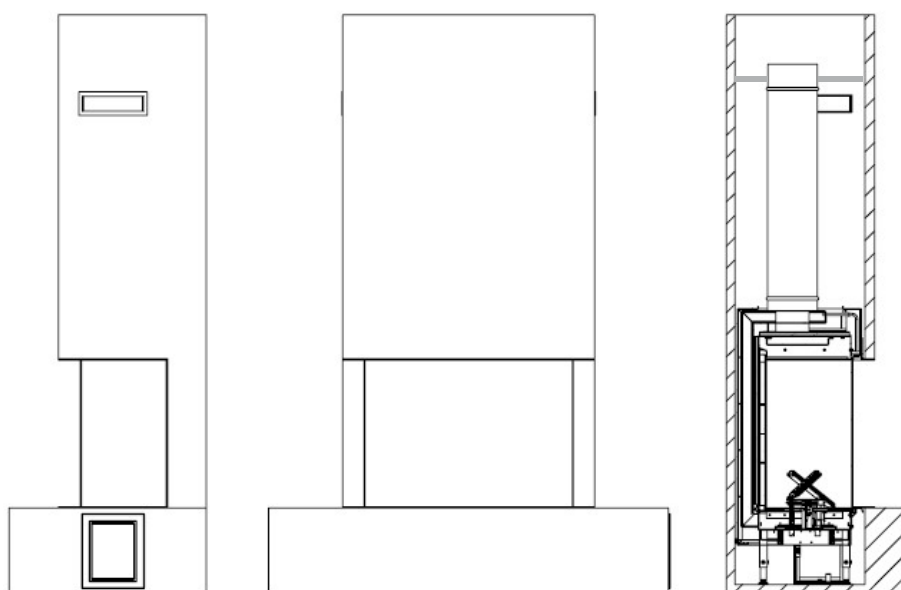
Convection grilles



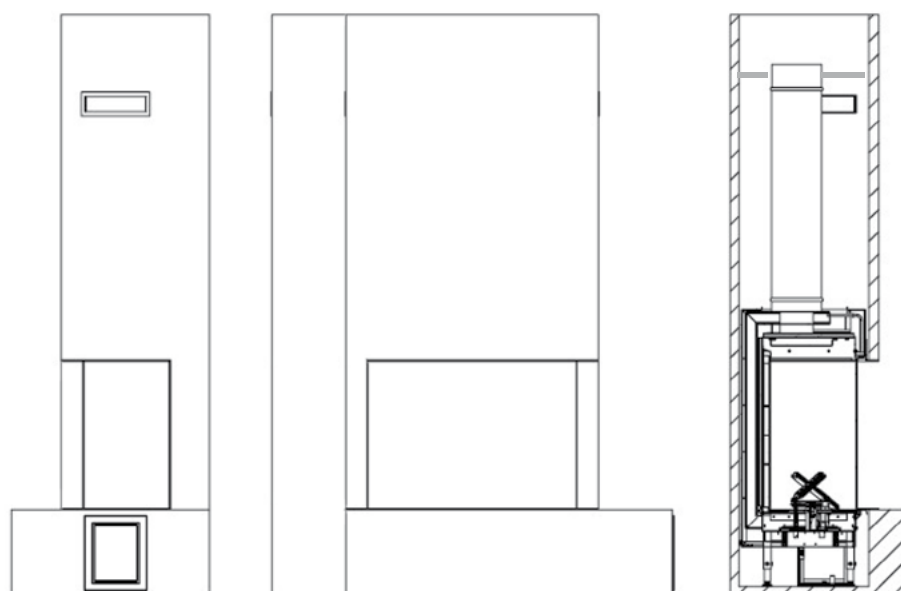
Appendix 2 BUILT-IN EXAMPLES



Trimline 83 arrangement

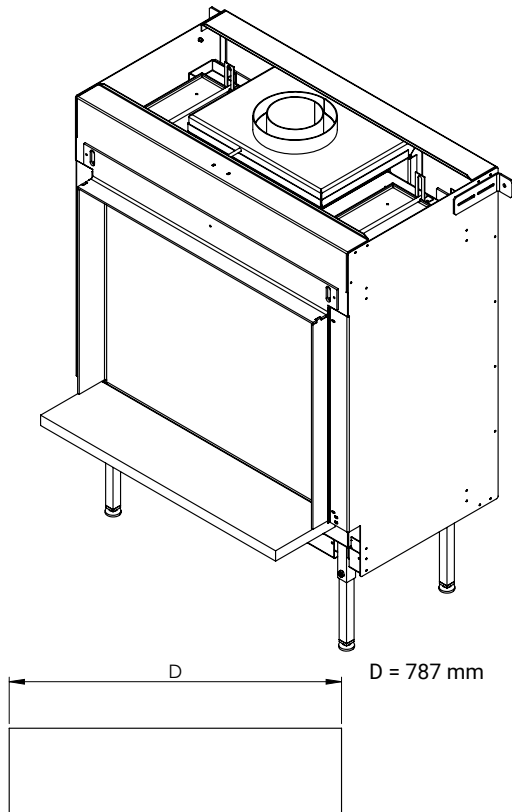


Trimline 83 hanging arrangement

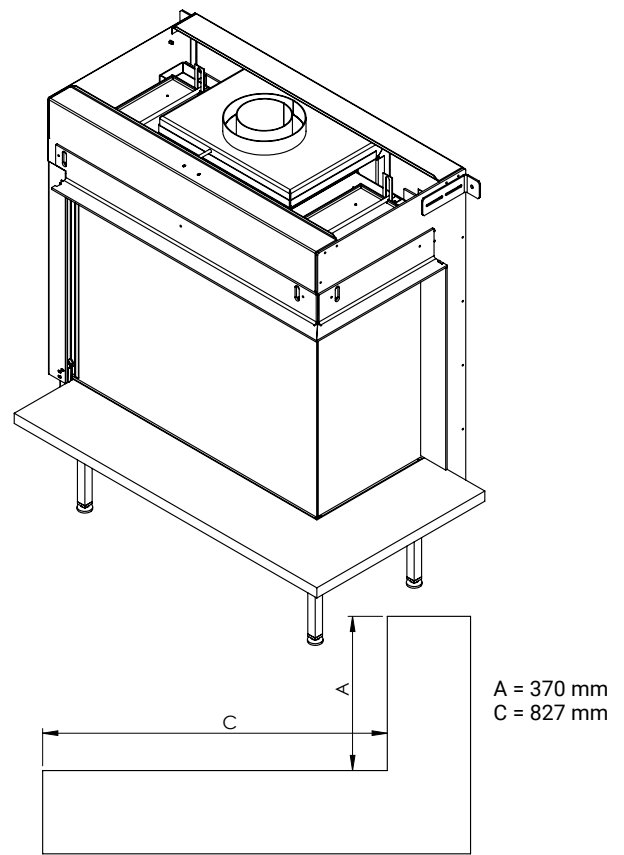


Appendix 2 CONTINUED

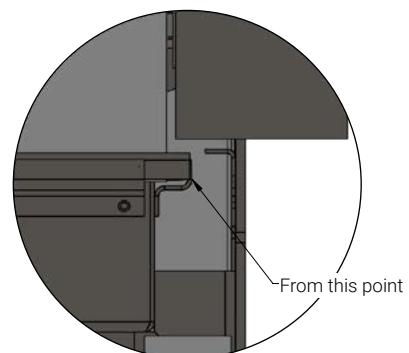
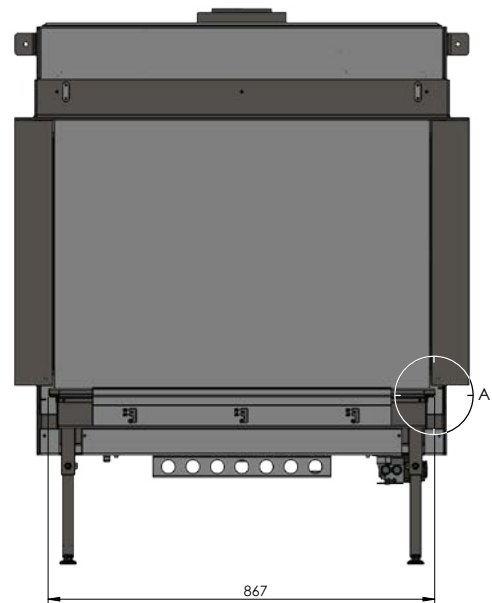
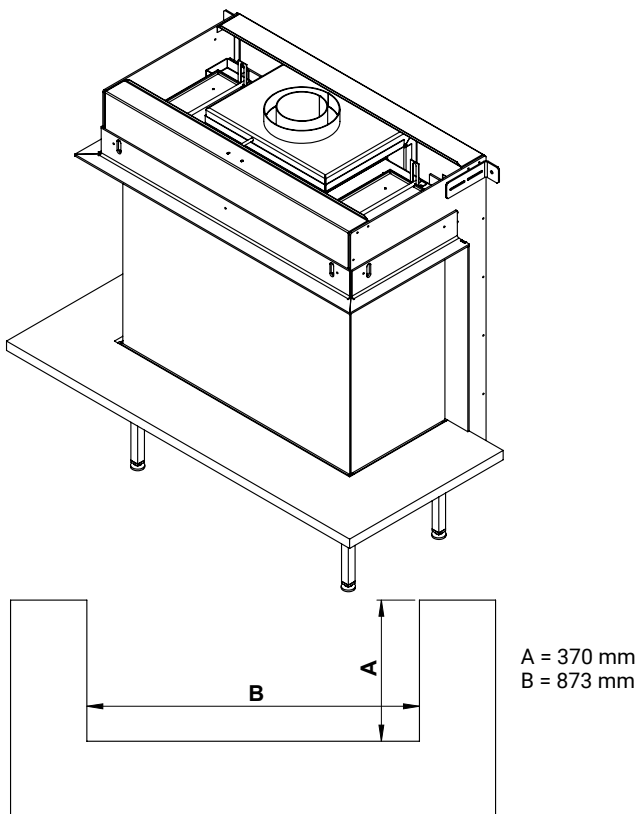
Trimline 83 Front



Trimline 83 Corner



Trimline 83 Panoramic



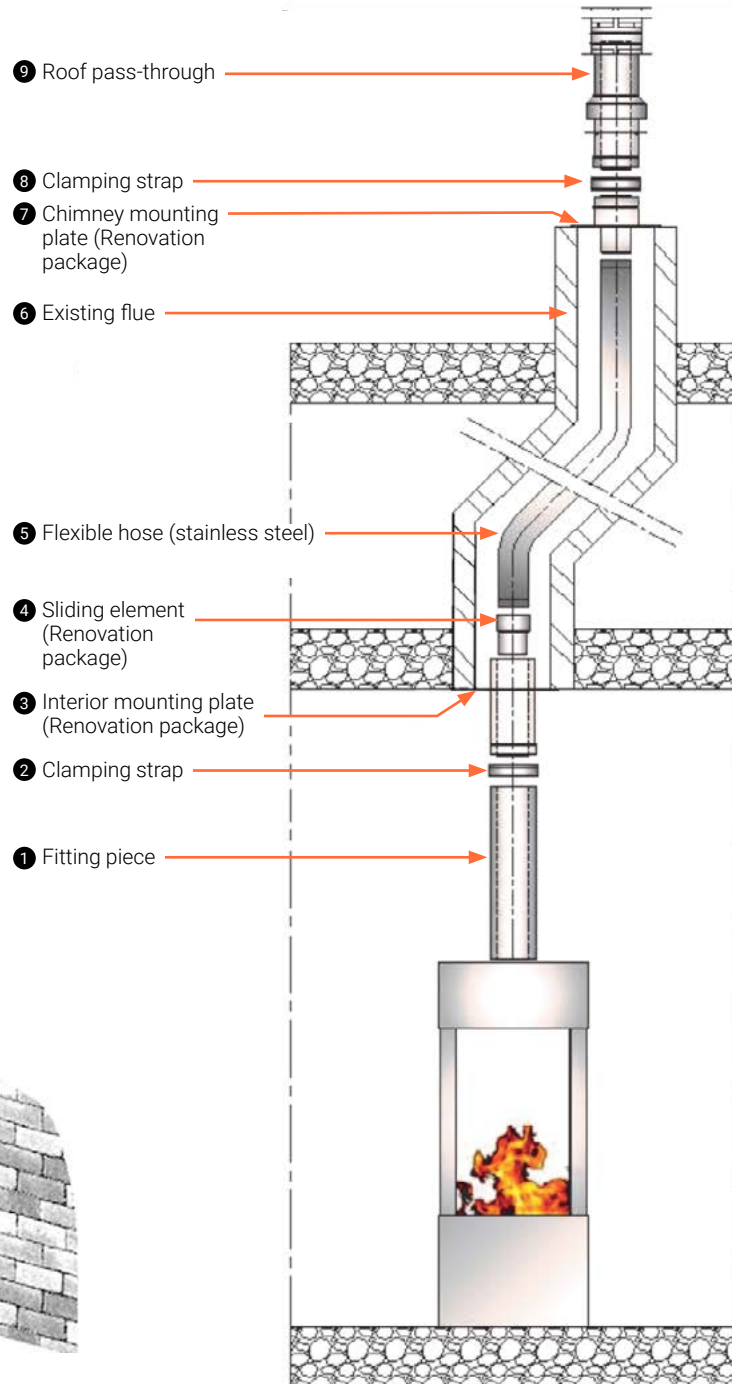
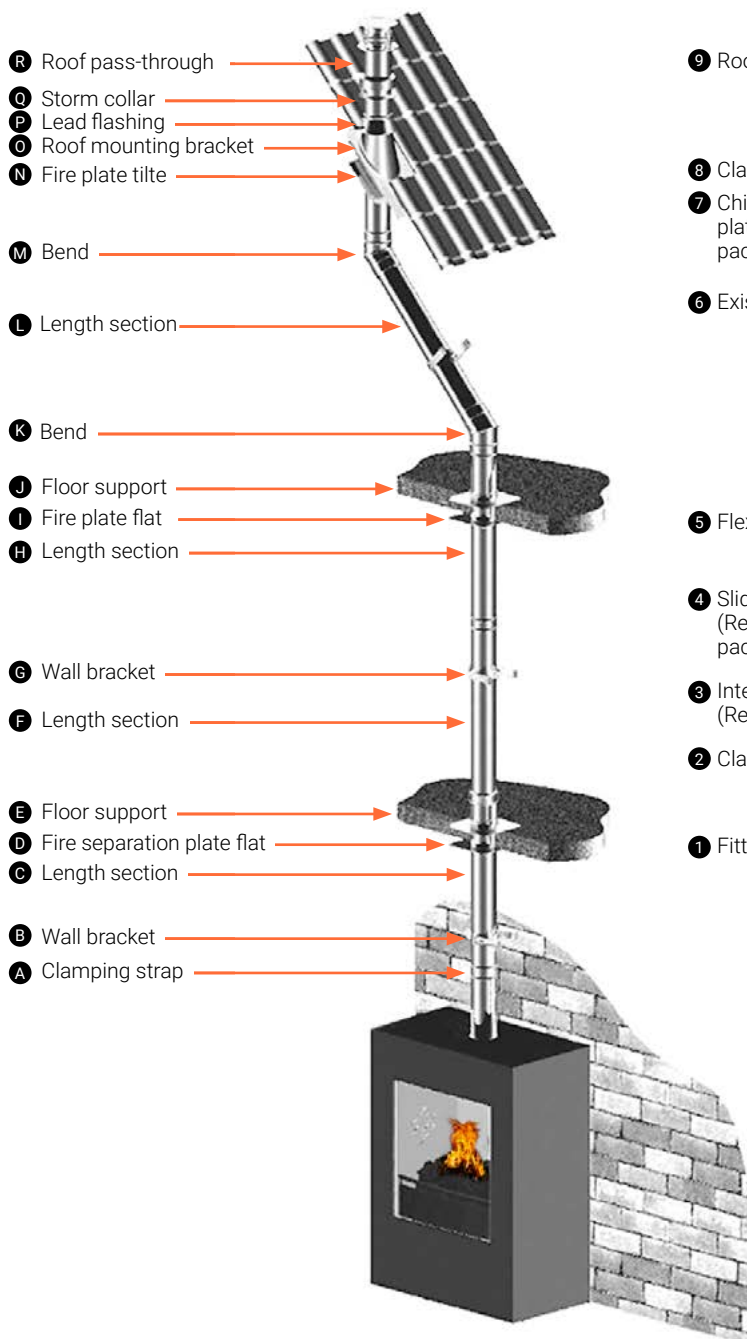
NOTE

Size always to be checked on appliance.

Appendix 3 CONSTRUCTION DIAGRAM DOUBLE-WALL CONCENTRIC

Material: Stainless steel AISI 316 L - Allow number 1.4404

Application: for the discharge of flue gases and the supply of combustion air from gas-fired appliances or stoves with a closed combustion system



Appendix 4 PREPARATION AND INSTALLATION



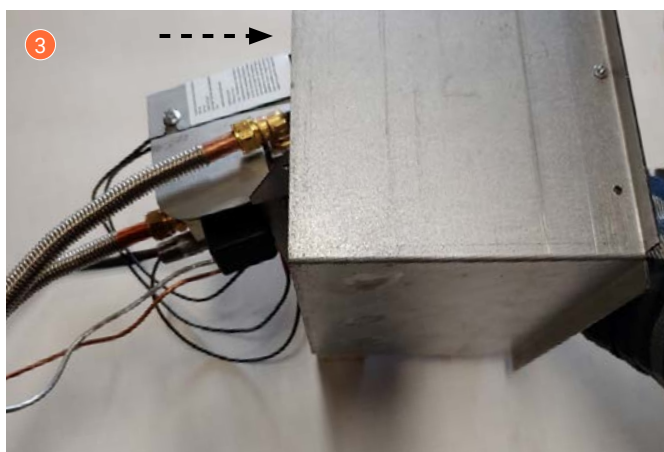
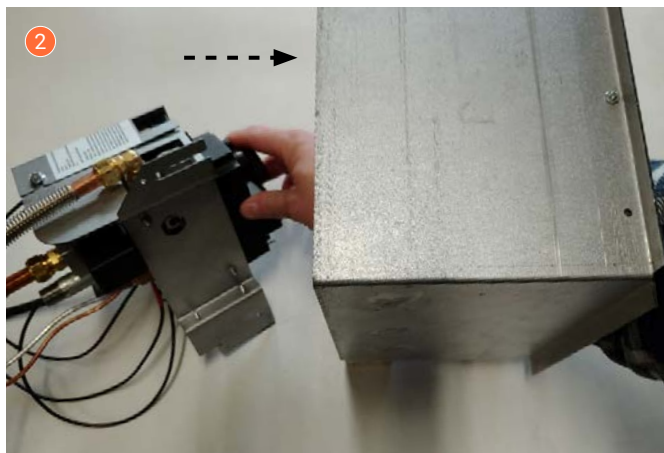
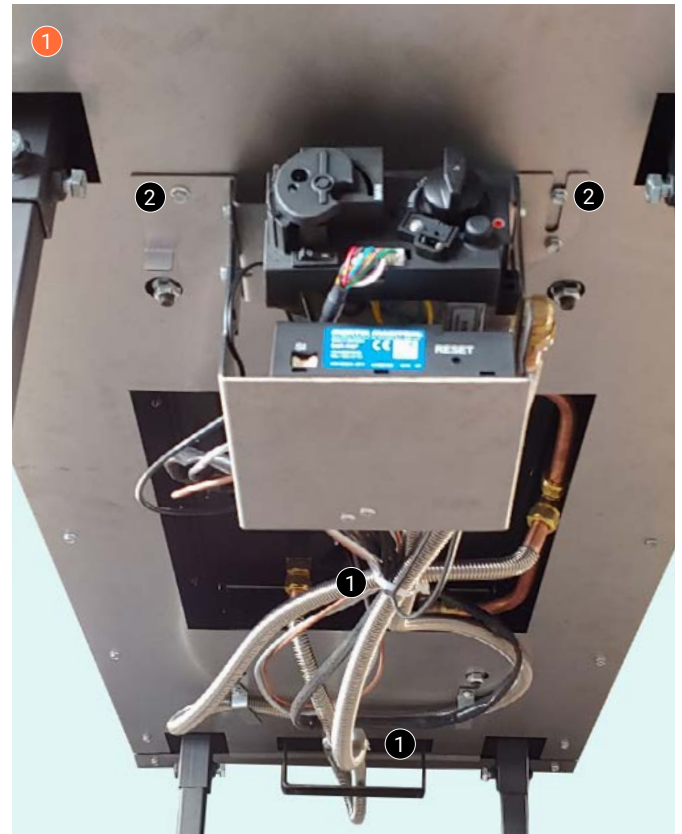
Appendix 5 PREPARING GAS CASSETTE GV60 FOR INSTALLATION

STEP 1 ①

Cut the ties to release all lines. ①

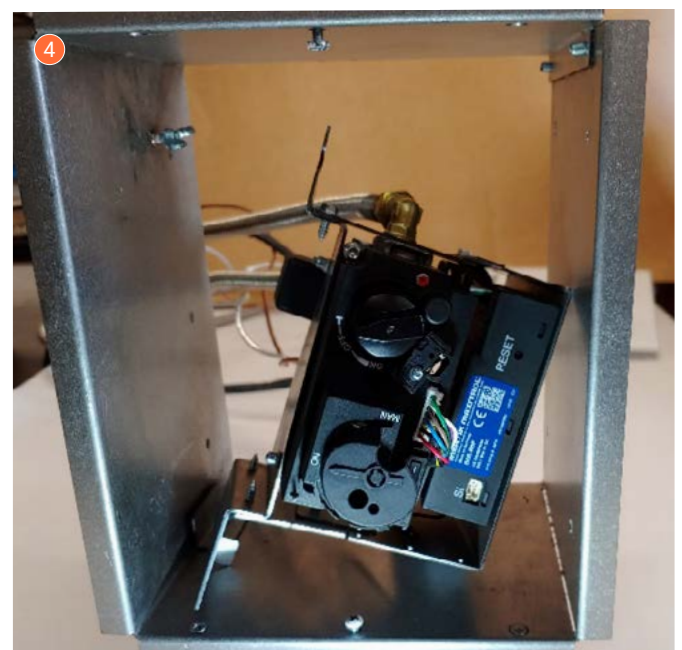
STEP 2 ①

Remove the protection bracket with gas control block and receiver. ②



STEP 3 ② ③ ④

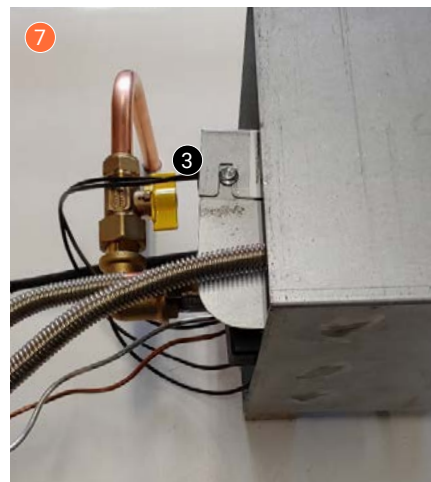
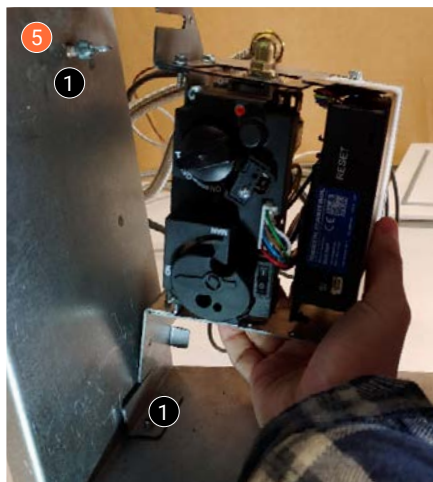
Place the gas control block and receiver in the gas cassette.



Appendix 5 CONTINUED

STEP 4 5 6 7

Slide the bracket with the gas control block and receiver into place ①. Fix the wing nuts in place. ②

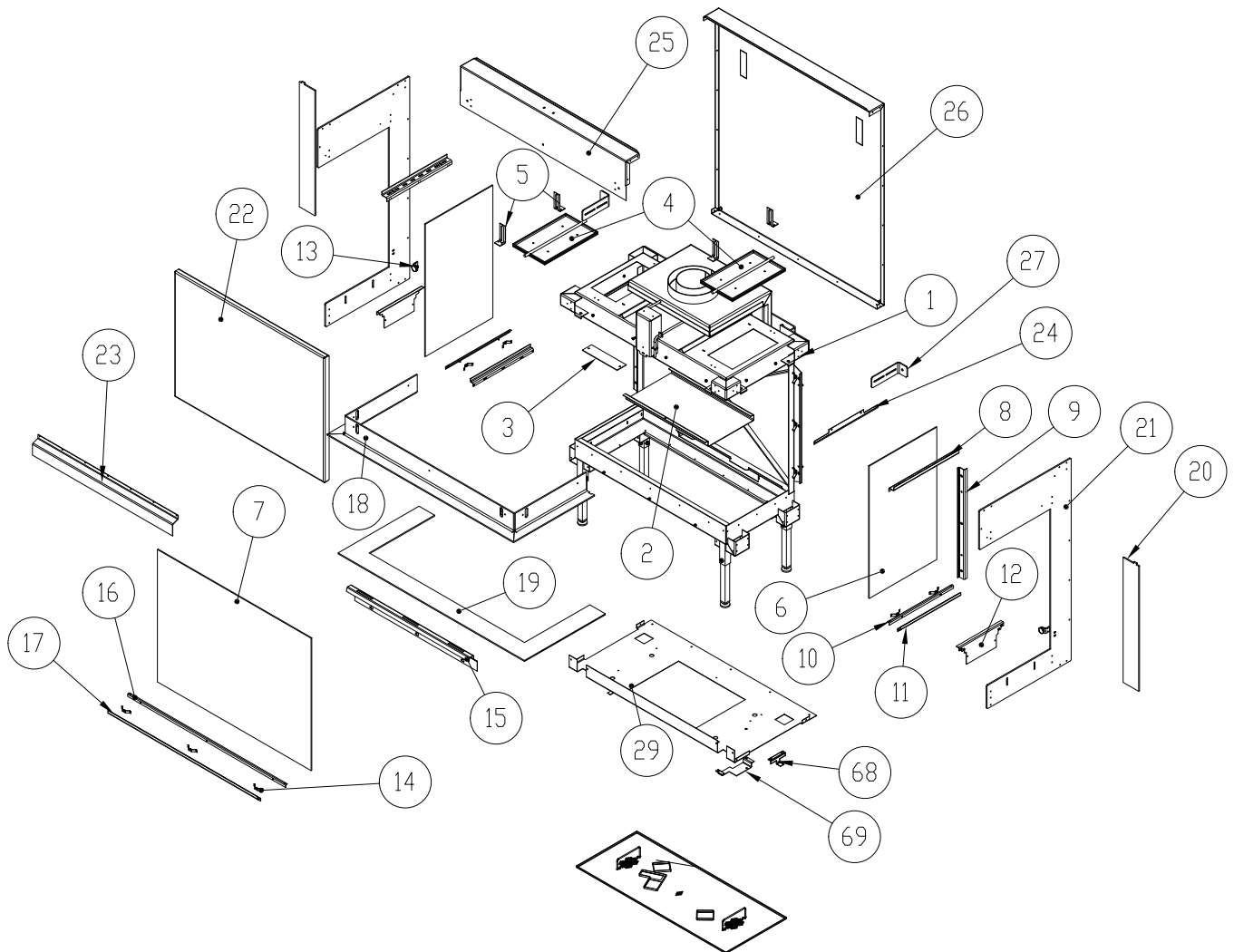


Example of installing an accessible tap. ③

Appendix 6 EXPLODED VIEW AND SPARE PARTS

No	Description	Artikel number	Qty.
1	Combustion Chamber	X	1
2	Baffleplate	531181041000	1
3	Restriction plate G30/31; G25,3/25	531181051000	1
	Restriction plate G20	531181052000	1
4	Explosion hatch plate	531181020000	2
5	Explosion bracket	531181043000	4
6	Glass panel side	x	2
7	Glass panel front side	x	1
8	Glassholder top side	531181004000	2
9	Glassholder back side	531181005000	2
10	Clamping side	531181040000	2
11	Glassholder side bottom	531181034000	2
12	Side bottom trims support	531181018000	2
13	Magnet	502800421	2
14	Spring glass block	x	13

No	Description	Artikel number	Qty.
15	Front bottom support	531181022000	1
16	Clamping front side	531181039000	1
17	Glassholder front side bottom	531181033000	1
18	Decoration top	531181032000	1
19	Decoration front bottom	531181030000	1
20	Back side decoration vertical	531181031000	2
21	Side support	531181017000	2
22	Back lamel	531181038100	1
23	Wall bracket back holder	531181037000	1
24	Side seal bracket top	531181036000	2
25	Front convection plate	531181010000	1
26	Back convection plate	531181009000	1
27	Wall bracket	531181024000	2
28	Decoration plate	531181012000	1
29	Bottom convection mantle	531181011000	1

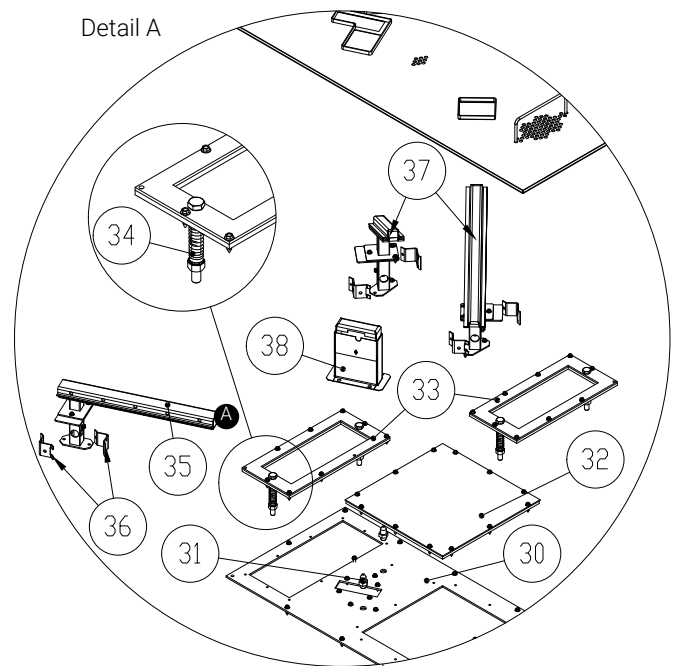


Appendix 6 CONTINUED

No	Description	Artikel number	Qty.
68	Receiver bracket	531181055000	1
69	Gasblock bracket	531181054000	1
30	Bottom plate	531181006000	1
31	Main injector	see gas sets	3
32	Cover Led Bottom	x	1
33	Pressure hatch	531181025000	2
34	Pressure hatch spring	x	2
35	Ground burner	531181008000	1
36	Primary air bracket	see gas sets	3
37	Log burner standup	531181007000	2
38	Pilotburner bracket	531181013000	1
39	Pilotburner	642200432	1
40	Igniter dia 2,3mm connection	642200884	1
41	Pilotburner gasket	642200434	1
42	Igniter insulation sleeve	x	1
43	Gastube flex burner 2 x 12mm/L1500mm	601000820	2
44	Thermocouple 1500mm SiT M 9 (30)		1
45	Pilot injector no 30 SIT G30/31	641800272	1
46	Olive 4mm pilotinjector	642000060	1
47	Nut 4mm pilotinjector	642400229	1
48	Compression knee 1/4" x 12 mm	601200001	2
49	T fitting 12 x 12 x 12	601201090	1
50	Copper pipe 12mm	x	1
51	Receiver GV-60 Ecomax Wifi R	641204003	1
52	Ignition cable L1500mm 2,8 x 0,5-dia 2,3 for 42200884	621002043	1
53	GV60 multicable 8 x G6R-C3	629900027	1
54	Ignition cable 4mm/1500 GV-60	621002040	1
55	Ignition cable sleeve 8mm	729900324	1
56	Compression coupling 1/4" x 12mm	x	1
57	GV60 cable 500 mm thermocouple G60-ZKIRF/500	621000151	1
58	GV60 cable 500mm switch G60-ZSKLF/500	621000150	1
59	Gasconnection 3/8" mains	x	1
60	GV60 M9x1 thermocouple interupter G60-ZUS09	642200224	1

No	Description	Artikel number	Qty.
61	GV60 DB solenoid GV-S60C/5	641200329	1
62	GV60 solenoid adapter	641200330	1
63	Compression knee 3/8" x 12mm	601200135	1
64	GV30/60 plug 3/8"	x	1
65	GV60 olive/nut 4mm G30-ZLZ04	642400278	1
66	Compression fitting 1/4" x 12mm	601200307	1
67	GV60 gasvalve GV60M1-C5D3K1L	641200327	1
70	Gasvalve holder	531181056000	1
71	Remote GV-60 Ecomax B6R-H8TL3PBD	641200984	1

Detail A



Detail B

