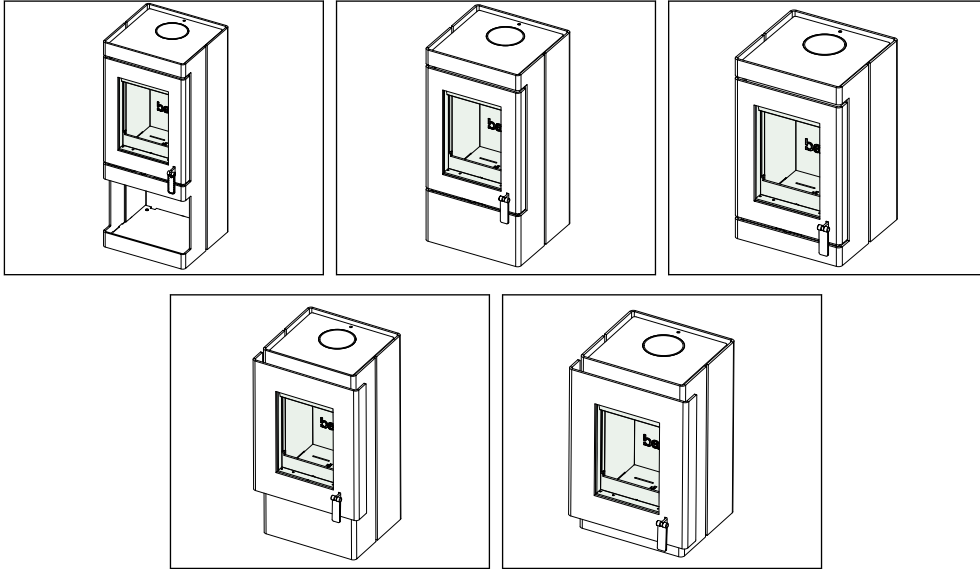


# barbas .

## User manual

BOX 35-40-105 / BOX 35-40-85 / BOX 35-40-70

BOX 40-40-85 / BOX 40-40-70



This product is not suitable for primary heating purposes



Serial number:

Production date:

© **Barbas Bellfires BV**

This document or parts thereof may not be reproduced, stored in a retrieval system, or transmitted, in any form or by any means, electronic, mechanical, photocopying, recording, nor otherwise, without the prior written permission of Barbas Bellfires BV. This document could contain technical inaccuracies or typographical errors. Barbas Bellfires BV reserves the right to revise this document from time to time in the contents thereof.

**Contact information**

Barbas Bellfires BV

Hallenstraat 17, 5531 AB Bladel, The Netherlands

E-mail: [info@barbas.com](mailto:info@barbas.com)

[www.barbasbellfires.com](http://www.barbasbellfires.com)

---

## Contents

<b>1</b>	<b>Declaration of Performance.....</b>	<b>5</b>
1.1	BOX 35-40-105.....	5
1.2	BOX 35-40-85.....	6
1.3	BOX 35-40-70.....	7
1.4	BOX 40-40-85.....	8
1.5	BOX 40-40-70.....	9
<b>2</b>	<b>About this document.....</b>	<b>10</b>
2.1	How to work with this document.....	10
2.2	Warnings and cautions used in this document.....	10
2.3	Related documentation.....	10
<b>3</b>	<b>Description.....</b>	<b>11</b>
3.1	Overview of the front of the appliance.....	11
3.2	Intended use.....	12
<b>4</b>	<b>Safety.....</b>	<b>13</b>
4.1	Safety instructions for operation.....	13
4.2	Safety instructions with regard to the environment.....	13
<b>5</b>	<b>Fuel.....</b>	<b>15</b>
5.1	Fuel types.....	15
5.2	Fuel amount.....	15
<b>6</b>	<b>Operation.....</b>	<b>17</b>
6.1	Preparation before first use.....	17
6.2	First use of the appliance.....	17
6.3	Firing the appliance.....	17
6.3.1	First load and ignition.....	17
6.3.2	Reload for nominal heat output.....	19
6.3.3	Reload for minimum heat output.....	19
6.3.4	Control the burn process.....	20
6.3.5	Increase the flue draught.....	21
6.3.6	General firing tips.....	23
<b>7</b>	<b>Maintenance.....</b>	<b>24</b>
7.1	Maintenance schedule.....	24
7.2	Remove the ashes.....	24
7.3	Clean the glass.....	24
<b>8</b>	<b>Troubleshooting.....</b>	<b>25</b>
<b>9</b>	<b>Information on disposal of the appliance .....</b>	<b>27</b>

**10 Technical data.....28**  
10.1 Technical data .....28  
10.2 Product information according regulation (EU) 2015/1185..... 29

**11 Warranty Terms..... 30**

## 1 Declaration of Performance

### 1.1 BOX 35-40-105

**barbas bellfires .**  
Crafted to wonder

EC-declaration of conformity	
This EC declaration of conformity applies to the product described below and describes the conformity with the following directives: <b>2009/125/EC Directive for the setting of eco-design requirements for energy-related products (eco-design directive)</b> <i>Relevant Regulation: (EU) 2015/1185</i>	
Declaration of Performance	
According to regulation (EU) 305/2011 <b>No. 2.104.080-0 - CPR-2013/07/01</b>	
1. Unique identification code of the product-type	BOX 35-40-105
2. Intended use or uses of the construction product, in accordance with the applicable harmonised technical specification, as foreseen by the manufacturer	Room heater without hot water supply
3. Name, registered trade name or registered trade mark and contact address of the manufacturer as required pursuant to Article 11(5)	Barbas Bellfires BV; Hallenstraat 17; 5531 AB Bladel; The Netherlands
4. Where applicable, name and contact address of the authorised representative whose mandate covers the tasks specified in Article 12(2)	Not applicable
5. System or systems of assessment and verification of constancy of performance of the construction product as set out in Annex V	System 3
6. In case of the declaration of performance concerning a construction product covered by a harmonised standard	The notified laboratory SGS Belgium NV, No. 1639 performed the determination of the product type on the basis of type testing under system 3 and issued test report EZKA/2023-09/00005-15
7. Declared performance	
<b>Harmonized technical specification</b>	<b>EN13240:2001/A2:2004/AC:2007</b>
<b>Essential characteristics</b>	<b>Performance</b>
<b>Fire safety</b>	Pass
Distance to combustible materials	Minimum distances, in mm Rear = 300 Sides = 250 Ceiling = - Front = 1400 Floor = -
<b>Risk of burning fuel falling out</b>	Pass
<b>Emission of combustion products</b>	CO = 0.05 vol%
<b>Surface temperature</b>	Pass
<b>Electrical safety</b>	Pass
<b>Cleanability</b>	Pass
<b>Release of dangerous substances</b>	NPD
<b>Maximum operating pressure</b>	Not applicable
<b>Flue gas temperature at nominal heat output</b>	T = 275 °C
<b>Mechanical resistance (to carry a chimney/flue)</b>	NPD
<b>Thermal output</b>	Pass
Nominal heat output	5.3 kW
Room heating output	5.3 kW
Water heating output	- kW
<b>Energy efficiency</b>	80.1 %
8. The performance of the product identified in point 1 is in conformity with the declared performance in point 7. This declaration of performance is issued under the sole responsibility of the manufacturer identified in point 3.	

Signed for and on behalf of the manufacturer by:

Danny Baijens, CEO  
(Name and function)

Bladel; February 2, 2024  
(place and date of issue)



(Signature)

1.2

BOX 35-40-85



EC-declaration of conformity	
This EC declaration of conformity applies to the product described below and describes the conformity with the following directives: <b>2009/125/EC Directive for the setting of eco-design requirements for energy-related products (eco-design directive)</b> Relevant Regulation: (EU) 2015/1185	
Declaration of Performance	
According to regulation (EU) 305/2011 <b>No. 2.106.080-0 - CPR-2013/07/01</b>	
1. Unique identification code of the product-type	BOX 35-40-85
2. Intended use or uses of the construction product, in accordance with the applicable harmonised technical specification, as foreseen by the manufacturer	Room heater without hot water supply
3. Name, registered trade name or registered trade mark and contact address of the manufacturer as required pursuant to Article 11(5)	Barbas Bellfires BV; Hallenstraat 17; 5531 AB Bladel; The Netherlands
4. Where applicable, name and contact address of the authorised representative whose mandate covers the tasks specified in Article 12(2)	Not applicable
5. System or systems of assessment and verification of constancy of performance of the construction product as set out in Annex V	System 3
6. In case of the declaration of performance concerning a construction product covered by a harmonised standard	The notified laboratory SGS Belgium NV, No. 1639 performed the determination of the product type on the basis of type testing under system 3 and issued test report EZKA/2023-09/00005-15
7. Declared performance	
<b>Harmonized technical specification</b>	<b>EN13240:2001/A2:2004/AC:2007</b>
<b>Essential characteristics</b>	<b>Performance</b>
<b>Fire safety</b>	Pass
Distance to combustible materials	Minimum distances, in mm Rear = 300 Sides = 250 Ceiling = - Front = 1400 Floor = 30
<b>Risk of burning fuel falling out</b>	Pass
<b>Emission of combustion products</b>	CO = 0.05 vol%
<b>Surface temperature</b>	Pass
<b>Electrical safety</b>	Pass
<b>Cleanability</b>	Pass
<b>Release of dangerous substances</b>	NPD
<b>Maximum operating pressure</b>	Not applicable
<b>Flue gas temperature at nominal heat output</b>	T = 275 °C
<b>Mechanical resistance (to carry a chimney/flue)</b>	NPD
<b>Thermal output</b>	Pass
Nominal heat output	5.3 kW
Room heating output	5.3 kW
Water heating output	- kW
<b>Energy efficiency</b>	80.1 %
8. The performance of the product identified in point 1 is in conformity with the declared performance in point 7. This declaration of performance is issued under the sole responsibility of the manufacturer identified in point 3.	

Signed for and on behalf of the manufacturer by:

Danny Baijens, CEO  
(Name and function)

Bladel; 04 September 2024  
(place and date of issue)

(Signature)

1.3

BOX 35-40-70



EC-declaration of conformity	
This EC declaration of conformity applies to the product described below and describes the conformity with the following directives: <b>2009/125/EC Directive for the setting of eco-design requirements for energy-related products (eco-design directive)</b> <i>Relevant Regulation: (EU) 2015/1185</i>	
Declaration of Performance	
According to regulation (EU) 305/2011 <b>No. 2.108.080-0 - CPR-2013/07/01</b>	
1. Unique identification code of the product-type	BOX 35-40-70
2. Intended use or uses of the construction product, in accordance with the applicable harmonised technical specification, as foreseen by the manufacturer	Room heater without hot water supply
3. Name, registered trade name or registered trade mark and contact address of the manufacturer as required pursuant to Article 11(5)	Barbas Bellfires BV; Hallenstraat 17; 5531 AB Bladel; The Netherlands
4. Where applicable, name and contact address of the authorised representative whose mandate covers the tasks specified in Article 12(2)	Not applicable
5. System or systems of assessment and verification of constancy of performance of the construction product as set out in Annex V	System 3
6. In case of the declaration of performance concerning a construction product covered by a harmonised standard	The notified laboratory SGS Belgium NV, No. 1639 performed the determination of the product type on the basis of type testing under system 3 and issued test report EZKA/2023-09/00005-15
7. Declared performance	
<b>Harmonized technical specification</b>	<b>EN13240:2001/A2:2004/AC:2007</b>
<b>Essential characteristics</b>	<b>Performance</b>
<b>Fire safety</b>	Pass
Distance to combustible materials	Minimum distances, in mm Rear = 300 Sides = 250 Ceiling = - Front = 1400 Floor = 30
<b>Risk of burning fuel falling out</b>	Pass
<b>Emission of combustion products</b>	CO = 0.05 vol%
<b>Surface temperature</b>	Pass
<b>Electrical safety</b>	Pass
<b>Cleanability</b>	Pass
<b>Release of dangerous substances</b>	NPD
<b>Maximum operating pressure</b>	Not applicable
<b>Flue gas temperature at nominal heat output</b>	T = 275 °C
<b>Mechanical resistance (to carry a chimney/flue)</b>	NPD
<b>Thermal output</b>	Pass
Nominal heat output	5.3 kW
Room heating output	5.3 kW
Water heating output	- kW
<b>Energy efficiency</b>	80.1 %
8. The performance of the product identified in point 1 is in conformity with the declared performance in point 7. This declaration of performance is issued under the sole responsibility of the manufacturer identified in point 3.	

Signed for and on behalf of the manufacturer by:

Danny Baijens, CEO  
(Name and function)

Bladel; 10 July 2024  
(place and date of issue)

.....  
(Signature)

1.4 BOX 40-40-85



EC-declaration of conformity	
This EC declaration of conformity applies to the product described below and describes the conformity with the following directives: <b>2009/125/EC Directive for the setting of eco-design requirements for energy-related products (eco-design directive)</b> <i>Relevant Regulation: (EU) 2015/1185</i>	
Declaration of Performance	
According to regulation (EU) 305/2011 <b>No. 2.204.080-0 - CPR-2013/07/01</b>	
1. Unique identification code of the product-type	BOX 40-40-85
2. Intended use or uses of the construction product, in accordance with the applicable harmonised technical specification, as foreseen by the manufacturer	Room heater without hot water supply
3. Name, registered trade name or registered trade mark and contact address of the manufacturer as required pursuant to Article 11(5)	Barbas Bellfires BV; Hallenstraat 17; 5531 AB Bladel; The Netherlands
4. Where applicable, name and contact address of the authorised representative whose mandate covers the tasks specified in Article 12(2)	Not applicable
5. System or systems of assessment and verification of constancy of performance of the construction product as set out in Annex V	System 3
6. In case of the declaration of performance concerning a construction product covered by a harmonised standard	The notified laboratory SGS Belgium NV, No. 1639 performed the determination of the product type on the basis of type testing under system 3 and issued test report EZKA/2023-09/00005-15
7. Declared performance	
<b>Harmonized technical specification</b>	<b>EN13240:2001/A2:2004/AC:2007</b>
<b>Essential characteristics</b>	<b>Performance</b>
<b>Fire safety</b>	Pass
Distance to combustible materials	Minimum distances, in mm Rear = 300 Sides = 250 Ceiling = - Front = 1400 Floor = 30
<b>Risk of burning fuel falling out</b>	Pass
<b>Emission of combustion products</b>	CO = 0.05 vol%
<b>Surface temperature</b>	Pass
<b>Electrical safety</b>	Pass
<b>Cleanability</b>	Pass
<b>Release of dangerous substances</b>	NPD
<b>Maximum operating pressure</b>	Not applicable
<b>Flue gas temperature at nominal heat output</b>	T = 275 °C
<b>Mechanical resistance (to carry a chimney/flue)</b>	NPD
<b>Thermal output</b>	Pass
Nominal heat output	5.3 kW
Room heating output	5.3 kW
Water heating output	- kW
<b>Energy efficiency</b>	80.1 %
8. The performance of the product identified in point 1 is in conformity with the declared performance in point 7. This declaration of performance is issued under the sole responsibility of the manufacturer identified in point 3.	

Signed for and on behalf of the manufacturer by:

Danny Baijens, CEO  
(Name and function)

Bladel; 21 August 2024  
(place and date of issue)

(Signature)



1.5

BOX 40-40-70

**barbas bellfires .**  
Crafted to wonder

EC-declaration of conformity	
This EC declaration of conformity applies to the product described below and describes the conformity with the following directives: <b>2009/125/EC Directive for the setting of eco-design requirements for energy-related products (eco-design directive)</b> <i>Relevant Regulation: (EU) 2015/1185</i>	
Declaration of Performance	
According to regulation (EU) 305/2011 <b>No. 2.206.080-0 - CPR-2013/07/01</b>	
1. Unique identification code of the product-type	BOX 40-40-70
2. Intended use or uses of the construction product, in accordance with the applicable harmonised technical specification, as foreseen by the manufacturer	Room heater without hot water supply
3. Name, registered trade name or registered trade mark and contact address of the manufacturer as required pursuant to Article 11(5)	Barbas Bellfires BV; Hallenstraat 17; 5531 AB Bladel; The Netherlands
4. Where applicable, name and contact address of the authorised representative whose mandate covers the tasks specified in Article 12(2)	Not applicable
5. System or systems of assessment and verification of constancy of performance of the construction product as set out in Annex V	System 3
6. In case of the declaration of performance concerning a construction product covered by a harmonised standard	The notified laboratory SGS Belgium NV, No. 1639 performed the determination of the product type on the basis of type testing under system 3 and issued test report EZKA/2023-09/00005-15
7. Declared performance	
<b>Harmonized technical specification</b>	<b>EN13240:2001/A2:2004/AC:2007</b>
<b>Essential characteristics</b>	<b>Performance</b>
<b>Fire safety</b>	Pass
Distance to combustible materials	Minimum distances, in mm Rear = 300 Sides = 250 Ceiling = - Front = 1400 Floor = 30
<b>Risk of burning fuel falling out</b>	Pass
<b>Emission of combustion products</b>	CO = 0.05 vol%
<b>Surface temperature</b>	Pass
<b>Electrical safety</b>	Pass
<b>Cleanability</b>	Pass
<b>Release of dangerous substances</b>	NPD
<b>Maximum operating pressure</b>	Not applicable
<b>Flue gas temperature at nominal heat output</b>	T = 275 °C
<b>Mechanical resistance (to carry a chimney/flue)</b>	NPD
<b>Thermal output</b>	Pass
Nominal heat output	5.3 kW
Room heating output	5.3 kW
Water heating output	- kW
<b>Energy efficiency</b>	80.1 %
8. The performance of the product identified in point 1 is in conformity with the declared performance in point 7. This declaration of performance is issued under the sole responsibility of the manufacturer identified in point 3.	

Signed for and on behalf of the manufacturer by:

Danny Baijens, CEO  
(Name and function)

Bladel; 21 August 2024  
(place and date of issue)



(Signature)

## 2 About this document

This document shows the necessary information to operate the appliance and do basic maintenance on:

- 
- BOX 35-40-85
- BOX 35-40-70
- BOX 40-40-85
- BOX 40-40-70

in this document referred to as 'the appliance'. This document is an essential part of your appliance. Read it carefully before you do work on the appliance. Keep it in a safe place.

The original instructions of the document are in English. All other language versions of the document are translations of the original instructions. It is not always possible to provide a detailed illustration of every single item of the equipment. The illustrations in this document show a typical setup. The illustrations are for instructional use only.

### 2.1 How to work with this document

1. Make yourself familiar with the structure and content of the document.
2. Read the safety section in detail.
3. Make sure that you understand all the instructions.
4. Do the procedures completely and in the given sequence.

### 2.2 Warnings and cautions used in this document

#### Warning



If you do not obey these instructions, there is a risk that can cause personal injury or death.

#### Caution

If you do not obey these instructions, there is a risk of damage to the equipment or to property.

#### Note

A note shows more information.

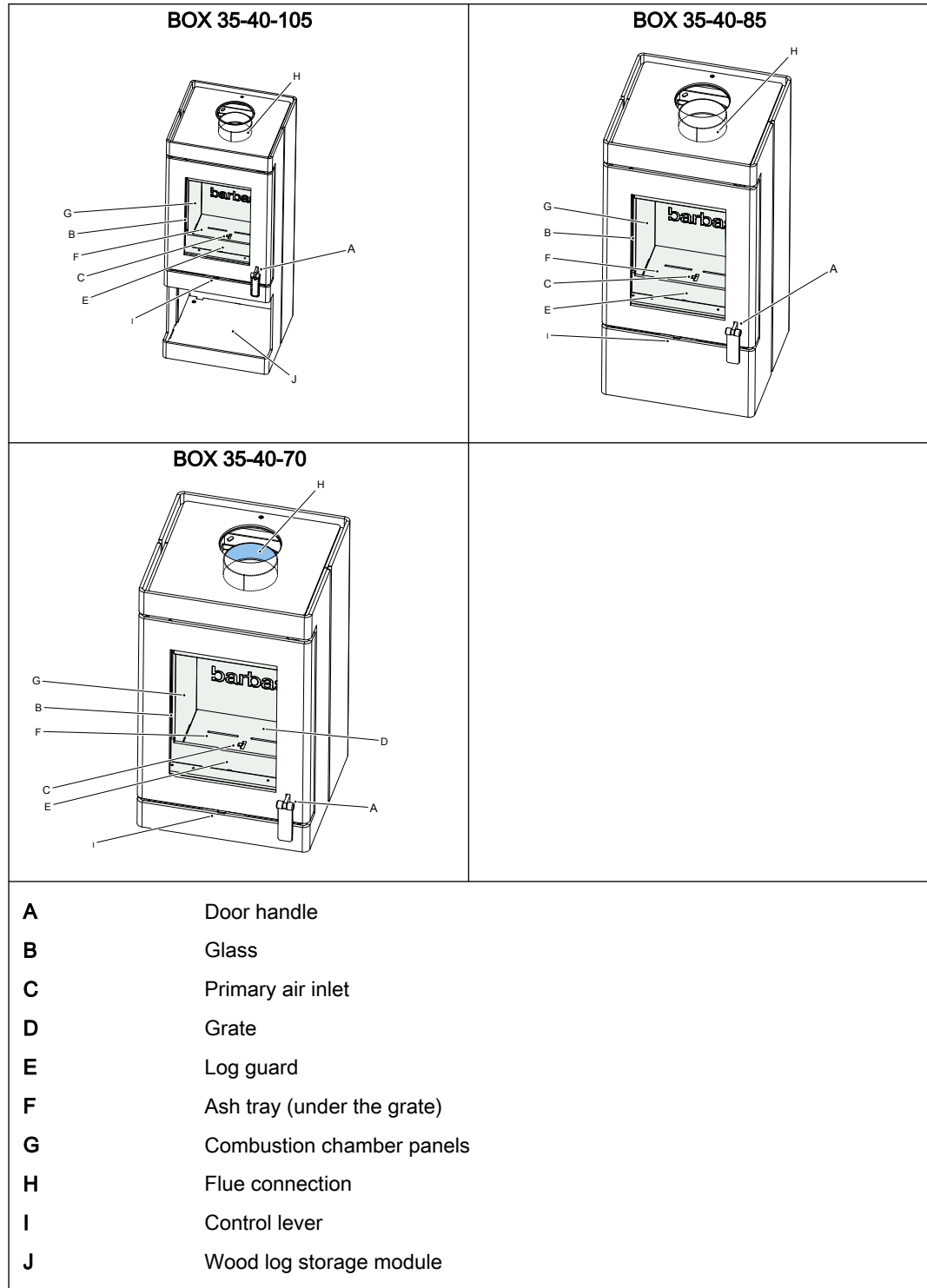
Symbol	Description
	Visual sign that there is a hazard
	Visual sign that there is a notice

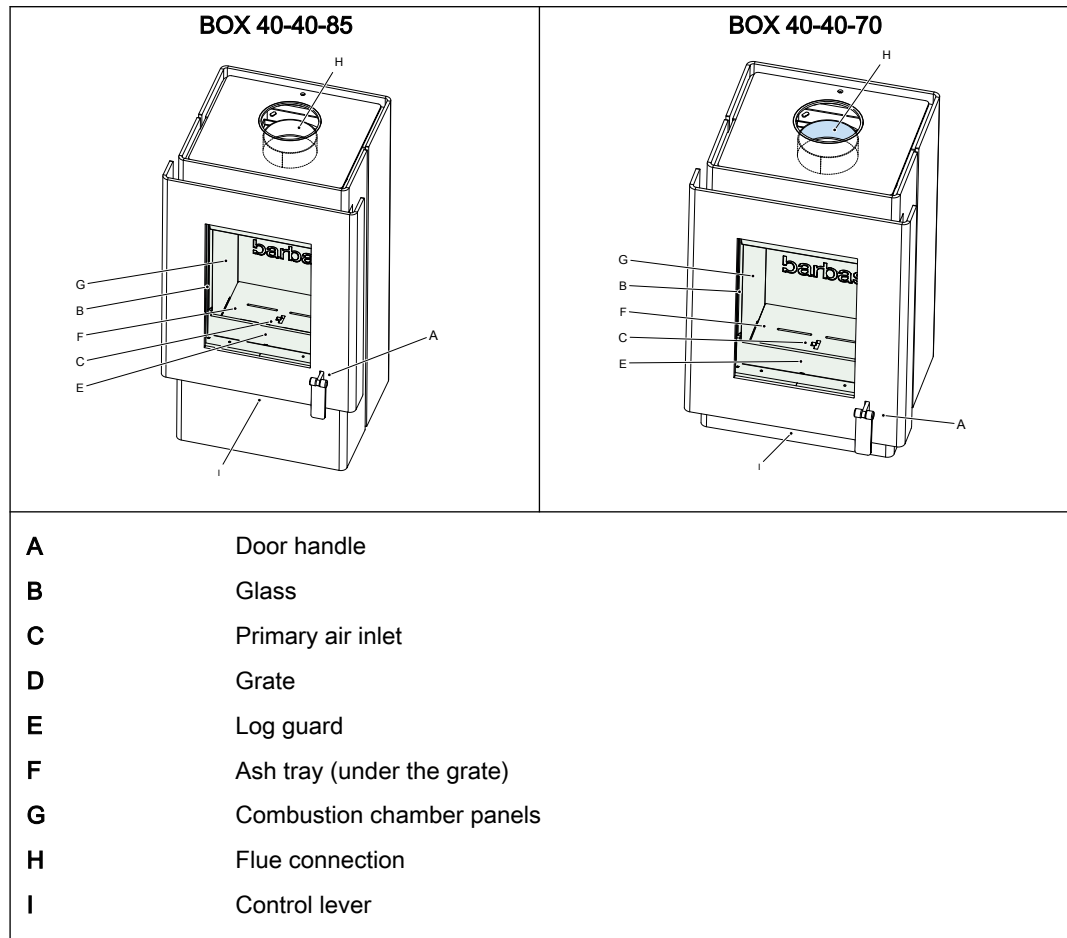
### 2.3 Related documentation

- Installation and maintenance manual
- User manual

## 3 Description

### 3.1 Overview of the front of the appliance





### 3.2 Intended use

The appliance is intended for indoor use to heat the room wherein it is installed. Do not use it for other purposes.

It is not allowed to use the appliance as primary heating appliance.

The appliance is intended for use with wood logs or wood briquettes as fuel. Do not use other fuels.

The appliance is intended for use with the door closed.

The appliance may only be used at the location that meets the requirements for the installation of the appliance.

The appliance is intended for intermittent use and is not intended for continuous use.

The appliance is intended to heat the room by direct heating. It is not allowed to connect the appliance to a central-heating installation.

## 4 Safety

### 4.1 Safety instructions for operation

**Warning:**

- Do not put objects on the top of the appliance.
- Do not let the appliance unattended when the fuel burns.
- Do not put flammable items within 140 cm from the front of the appliance.
- Do not put flammable items within 25 cm from the side of the appliance.
- If applicable, make sure the distance between the top of the wood log storage module and the wood logs in the storage module is minimum 10 cm. Make sure the wood logs in the storage do not touch the top of the wood log storage module.
- Do not use mineral fuel (example: coal, anthracite)
- Do not use the appliance with the door open. Smoke can escape from the appliance. Only open the appliance door for a short time to reload with fuel or to remove the ash.
- Make sure that children are supervised when they can reach the appliance.
- Make sure that there is sufficient ventilation in the room in which the appliance is installed.
- Do not use the appliance in case of visual glass damage.
- Make sure that the appliance is installed correctly. Refer to the Installation and Maintenance manual. You can find the manuals on [www.barbasbellfires.com](http://www.barbasbellfires.com).
- Wear the glove and use the operating hook or a poke when refilling the appliance
- Make sure that your clothing does not touch the appliance. Especially synthetic clothing ignites easy and burns intensely.
- Do not use the appliance when there is fog, haze or no wind.
- Do not make modifications to the appliance. Any modification will also make your warranty invalid.

**Caution:**

- Make sure to clean your chimney minimum every year to prevent a chimney fire.
- Do not use freshly cut wood.
- Do not use more wood per load than prescribed. Refer to section 5.2 for the recommended fuel amount.
- Do not burn waste in the appliance.
- Do not prepare food in the appliance. This causes damage to your appliance and chimney.

**Note:**

- Do inspect and clean the appliance, the chimney and the external combustion air supply by a Barbas dealer minimum every year.
- Do not use the appliance continuously. The intended use is as intermittent appliance.

### 4.2 Safety instructions with regard to the environment

- Dispose of the packing materials in an environmentally friendly way.

- Dispose of ceramic heat-resistant glass as household waste. Do not dispose of ceramic heat-resistant glass in a glass recycling container.
- Dispose of an obsolete appliance according to instructions of the authorities or the fitter.
- Obey the local regulations.

## 5 Fuel

### 5.1 Fuel types



**Warning:**

Do not use coal, anthracite, coal briquettes, liquid fuel or gel fuel. The appliance is not designed for these fuels. Use of these fuels is dangerous and can lead to bodily harm and to serious damage to the appliance.

Suitable fuels are:

- Hard wood (example: birch, beech, oak, ash).
- Soft wood (example: spruce, pine, poplar).
- Wood briquettes without binder.

Before use, wood must dry for minimum 2 years when freshly chopped. Kiln-dried wood must dry for an extra half year. Dried wood logs must have a moisture content of 10 - 20 %.

Unsuitable fuels are:

- Painted wood.
- Impregnated wood.
- MDF, chipboard.
- Any kind of combustible waste.
- Paraffin impregnated compressed wood logs
- Freshly chopped wood
- Coal, anthracite and other bituminous fuels
- Lignite , peat

Using unsuitable fuels cause excess smoke, black glass, combustible deposits in the chimney and can damage the appliance.

### 5.2 Fuel amount

Load the appliance with the amount of fuel as listed hereunder. Put the load as one layer on the floor of the combustion chamber. For the amount of fuel for the first load see chapter [6.3.1](#).



**Caution:**

The amount of fuel specified for the nominal heat output should not be exceeded, overloading can cause excess smoke.

**Fuel load for nominal heat output**

	Wood logs	Wood briquettes
Amount	2 pieces	2 pieces
Weight	Approximately 0.6 kg per piece	Approximately 0.7 kg per piece
Length	Approximately 15 cm	Approximately 15 cm

**Fuel load for minimum heat output**

	Wood logs	Wood briquettes
Amount	1 piece	1 piece
Weight	Approximately 0.8 kg per piece	Approximately 0.7 kg per piece
Length	Approximately 25 cm	Approximately 25 cm

The above listed amount burns for approximately 45 minutes. This time can be different, dependent on the chimney draught and the position of the combustion air valve.



## 6 Operation

### 6.1 Preparation before first use

Report any defects to your dealer immediately.

#### Procedure

1. Make sure that the appliance is not damaged.
2. Make sure that the ceramic plate and the baffles are in the correct position.
3. Make sure that the glass is not damaged.
4. Make sure that the door opens and closes completely, by moving the door handle
5. Remove document and components from the combustion chamber.
6. Make sure that the control lever moves easy.
7. Make sure that the ash tray is empty.
8. Make sure that all package material, stickers, etc, have been removed from the vicinity of the appliance after installation.

### 6.2 First use of the appliance



#### Caution:

Make sure there is sufficient ventilation in the room in which the appliance is installed.



#### Note:

The appliance has a heat-resistant coating. When you use the appliance for the first time, the coating can cause an unpleasant, but harmless smell.

After first few times of use of the appliance, a light deposit on the inside of the glass may occur caused by curing of the paint. This can be removed with glass cleaner or ceramic hob cleaner.

### 6.3 Firing the appliance

#### 6.3.1 First load and ignition

At the beginning the appliance and chimney are cold. It is important that both the appliance and chimney reach a temperature that guarantees a good functioning of the appliance. A too low temperature results in incomplete combustion and a poor chimney draught. To avoid this do the following:

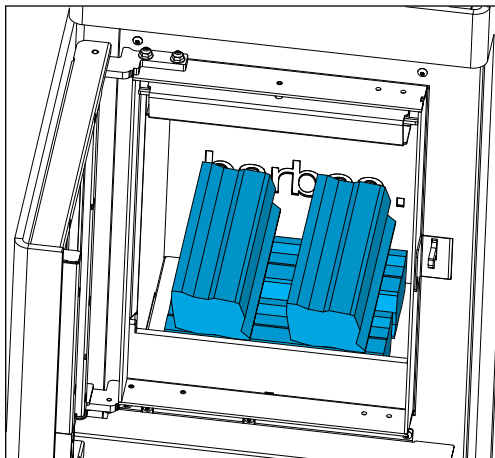


#### Warning:

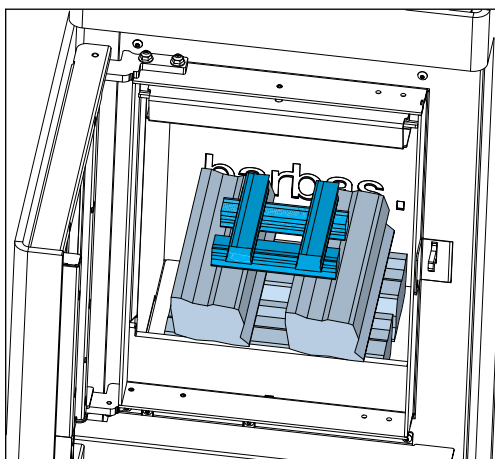
Do not use the appliance when there is fog or haze or no wind.

1. Put the control lever in the far right position.
2. If applicable, open the valve in the external combustion air supply line.
3. If applicable, open the chimney valve completely.
4. Open the door of the appliance.

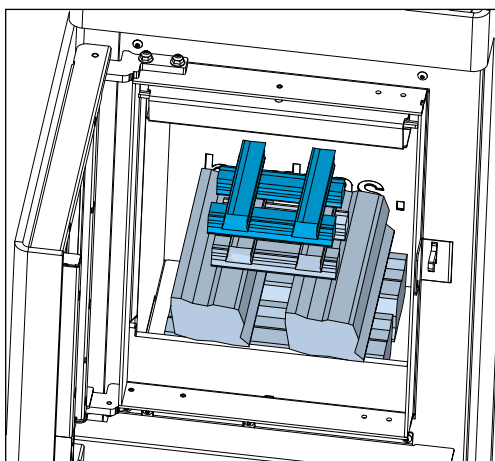
- Put minimum 4 wood logs crosswise on the floor of the combustion chamber.



- Put some kindling wood and 1 or 2 firestarter cubes on top of the wood logs.



- Put some kindling wood above the firestarter cubes.



- Light the firestarter cubes with a lighter or a match.
- Close the door of the appliance.

After approximately 20 minutes the wood logs burn. Dependent on the quality of the chimney the wood logs burn for approximately 1 to 1.5 hours. Do not open the door of the appliance before the last flames have almost disappeared.

### 6.3.2 Reload for nominal heat output

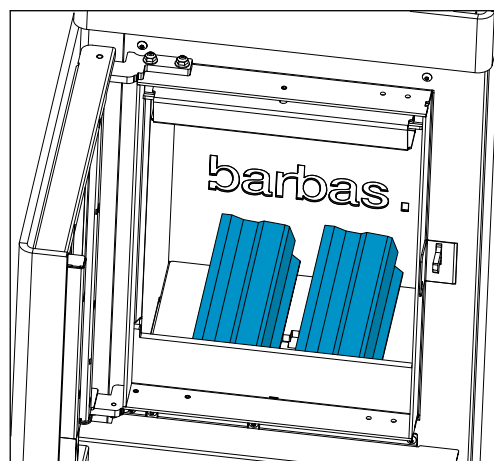
**Caution:**

If there is insufficient burning material in the firebed to light a new fuel charge, excessive smoke emission can occur. Refueling must be done onto a sufficient quantity of glowing embers and ash to make sure that the new fuel charge will ignite in a reasonable period. If there are too few embers in the fire bed, add suitable kindling to prevent excessive smoke.

**Note:**

The procedure hereunder is a general description to fire with nominal heat output. The best reloading moment is dependent on the flue draught. A high flue draught requires reloading when the flames have completely disappeared. If the flue draught is low, reloading must be done when there are still flames.

1. Wait until the last flames have almost disappeared.
2. Set the control lever in the far right position.
3. Open the door.
4. Reload the appliance with 2 wood logs or 2 wood briquettes. Refer to section 5.2 for the weight and length of the wood logs.



5. Close the door.
6. After ignition of the fuel, move the control lever to a position that gives a quiet burning fire.

### 6.3.3 Reload for minimum heat output

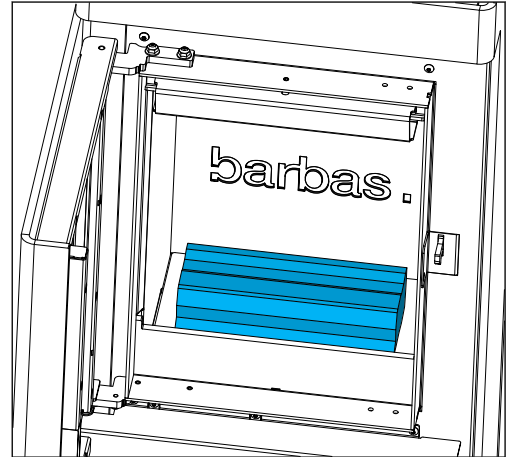
**Caution:**

If there is insufficient burning material in the firebed to light a new fuel charge, excessive smoke emission can occur. Refueling must be done onto a sufficient quantity of glowing embers and ash to make sure that the new fuel charge will ignite in a reasonable period. If there are too few embers in the fire bed, add suitable kindling to prevent excessive smoke.

**Note:**

The procedure hereunder is a general description to fire with minimum heat output. The best reloading moment is dependent on the flue draught. A high flue draught requires reloading when the flames have completely disappeared. If the flue draught is low, reloading must be done when there are still flames.

1. Wait until the last flames have almost disappeared.
2. Set the control lever in the far right position.
3. Open the door.
4. Reload the appliance with 1 wood log or 1 wood briquette. Refer to section [5.2](#) for the weight and the length of the wood log.



5. Close the door.
6. After ignition of the fuel, move the control lever to a position that gives a quiet burning fire.

### 6.3.4

#### Control the burn process

Control the burn process with the control lever. This lever controls the amount of primary combustion air and both the secondary combustion air and airwash amount.



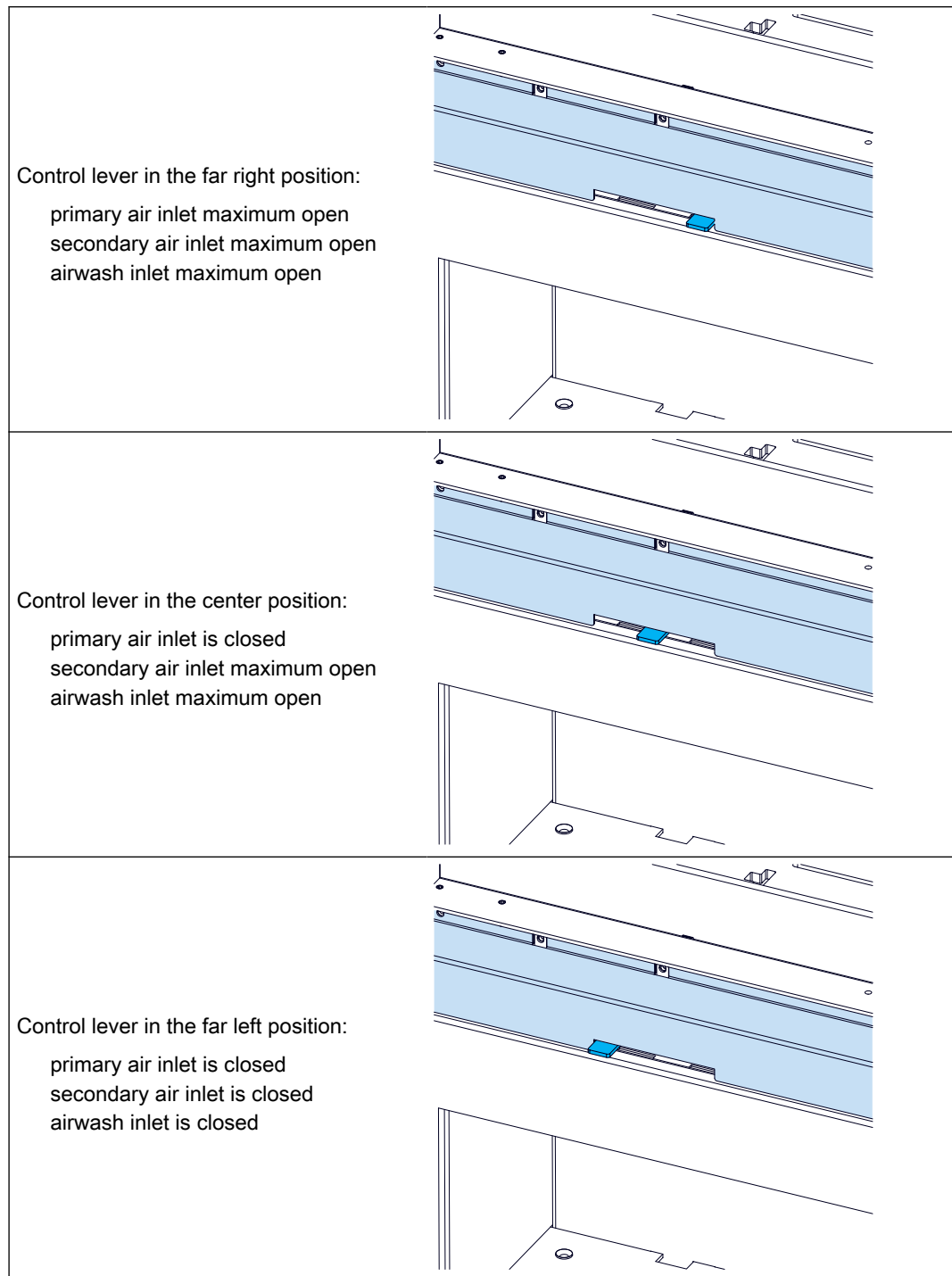
**Warning:**

Setting the control lever in the far left position (all air inlets closed) when the fuel is burning leads to excessive emission of hazardous gasses (example: carbon monoxide) and soot deposit on the glass of the door and in the chimney. Never close the air inlets when the fuel is burning. Always keep the secondary air inlet and air wash inlet open by setting the control lever somewhere in-between the center position and the far left position.



**Caution:**

Continuous firing with the primary air inlet fully open (control lever in the far right position) causes a white-hot fire that can damage the appliance. Use the primary air only during the first fuel load and for ignition of a new fuel load.



## 6.3.5

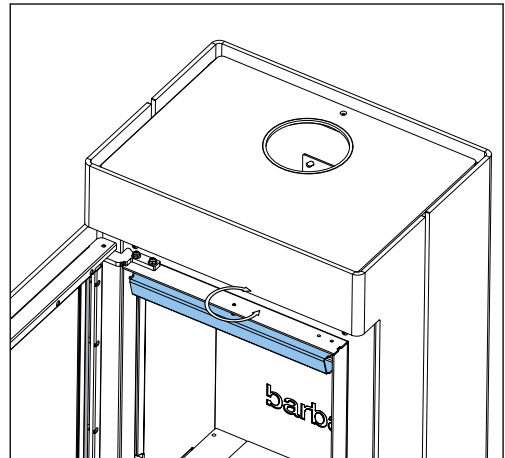
### Increase the flue draught



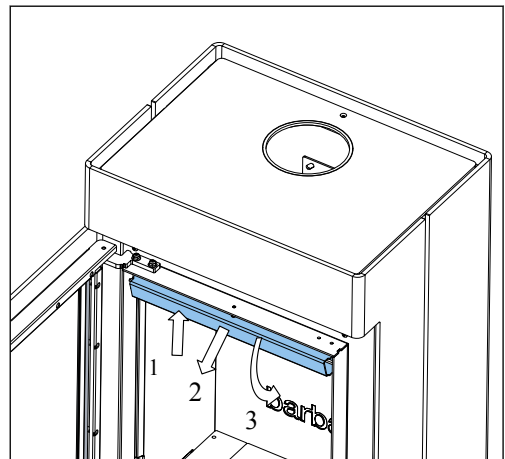
**Warning:** Do the procedure hereunder when you have made sure the appliance has cooled down and there are no glowing embers.

A low flue draught is caused by too much flow resistance. This causes insufficient flow of the flue gas in the chimney. Do the next steps to decrease the flow resistance

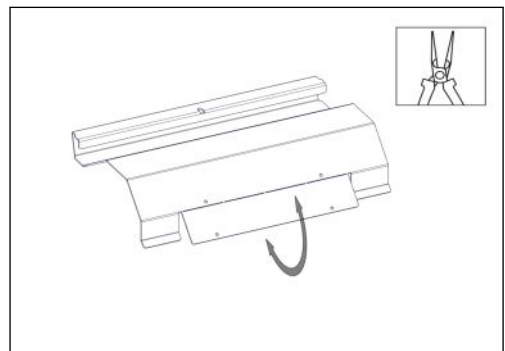
1. Open the door.
2. Loosen the nut above the heat shield with a 3 mm hexagonal key and a 10 mm fork spanner. Turn the nut down with the fork spanner and turn the screw up with the hexagonal key until the screw is loose from the heat shield.



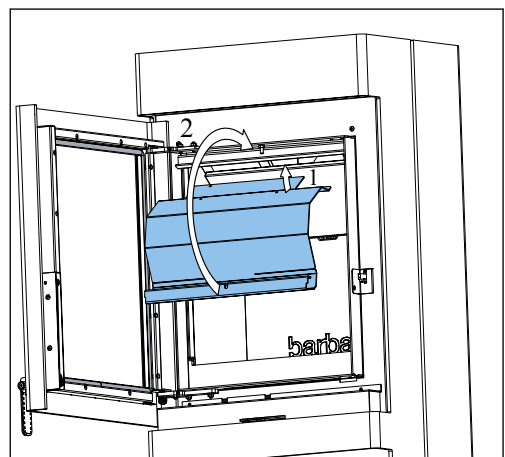
3. Push up the front of the heat shield (1) and pull it forward (2) and move downward to a vertical position (3).
4. Remove the heat shield from the appliance.



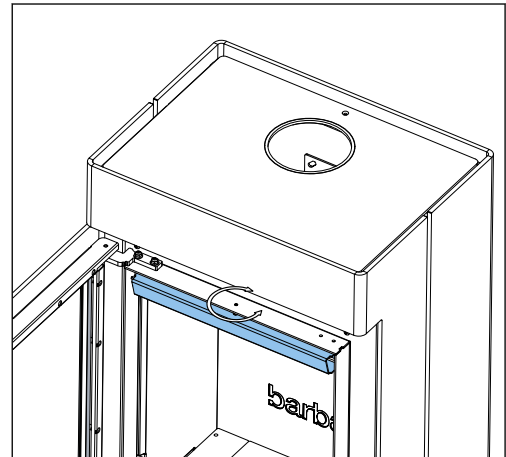
5. Remove the break strip from the baffle with a pair of pliers.



6. Move the heat shield up and put the rear side above the baffle (1).
7. Move the front of the heat shield up (2) and put the edge on the metal strip under the air wash inlet (3).



8. Turn the screw down with a 3 mm hexagonal key until it is in the screw hole in the heat shield.
9. Turn the nut up with a 10 mm fork spanner and tighten it.



### 6.3.6

#### General firing tips

- The appliance works best when it has heated up as described in section [6.3.1](#). Insufficient heating up leads to a low chimney draught, black deposits on the glass and incomplete combustion. Good combustion is recognized by bright orange flames, invisible smoke and no soot deposits on the glass. Use the control lever to get good combustion. Refer to section [5.1](#) for advice on the required fuel quality.
- Make sure the door of the appliance is closed when in use. Only open the door for ignition and to refuel.
- Do not remove all the ashes. An ash layer in the combustion chamber forms a heat insulating layer, that helps the fuel to ignite easy.
- Do not set the control lever in the far left position (all combustion air inlets closed) when the appliance is used. This will cause severe smoke development, soot formation and increases the chance of a chimney fire.
- After the first load, do not overload the appliance with fuel. Refer to section [5.2](#) for the recommended amount of fuel. Too much fuel leads to incomplete combustion, soot formation and a chance of a chimney fire.

## 7 Maintenance

### 7.1 Maintenance schedule



**Caution:**

Clean the glass when it is dirty. If the glass is not cleaned when it is dirty the glass can become permanently dull.

Task	Frequency	Procedure
Remove the ashes	When necessary	Refer to section <a href="#">7.2</a>
Clean the glass	When necessary	Refer to section <a href="#">7.3</a>
Maintenance by your fitter	Yearly	Refer to your dealer
Chimney sweep	Yearly (or more often when necessary)	Refer to the Installation and maintenance manual
Appliance inspection	Yearly	Refer to the Installation and maintenance manual

### 7.2 Remove the ashes

1. Make sure that the appliance has cooled down and there are no glowing embers.
2. Remove the ashes with a small scoop.
3. Lift the grate with the operating hook and remove the grate.
4. Remove the ashtray and empty it.
5. Make sure there are no ashes in the space under the ash tray. Remove these ashes when necessary.
6. Put the ash tray back in the appliance.
7. Put the grate back in the appliance.

### 7.3 Clean the glass

1. Make sure the appliance has cooled down and there are no glowing embers in the combustion chamber.
2. To avoid any up swirl of ashes during cleaning, remove the ashes from the appliance.
3. Clean the glass with a soft cloth, a sponge or paper. Use glass cleaner or ceramic hob cleaner.
4. Make sure that the glass is dry. Water droplets can leave a mark on the glass.




**Note:**

Damaged or broken glass must be replaced before the appliance can be used again.



## 8 Troubleshooting

Problem	Possible cause	Possible solution
Chimney fire (recognized by a roaring sound in the chimney)	Ignition of soot and tar deposits in the chimney.	<ul style="list-style-type: none"> <li>Set the control lever in the far left position.</li> <li>Call the emergency services. (112)</li> <li>Put out the fire in the appliance with sand.</li> </ul>  <p><b>Warning:</b> Never use water to put out the fire.</p> <ul style="list-style-type: none"> <li>Ventilate the house.</li> </ul> <p>After the chimney has been extinguished, sweep the chimney and inspect for damage.</p> <p>Sweep the chimney minimum once a year by a certified chimney sweep.</p>
The wood logs do not ignite	The moisture content of the wood logs is too high	<ul style="list-style-type: none"> <li>Use dried wood logs with a moisture content of 10 - 20 %.</li> <li>Use wood briquettes</li> </ul>
	The combustion chamber is not warm enough	<ul style="list-style-type: none"> <li>Do the recommended ignition procedure. Refer to section <a href="#">6.3.1</a>.</li> <li>Use the recommended amount of fuel. Refer to section <a href="#">5.2</a>.</li> </ul>
The wood logs burn too fast	Primary air inlet is open.	Close the primary air supply. Adjust the amount of secondary air and air wash with the control lever. Refer to section <a href="#">6.3.4</a> .
	The chimney draught is too high	<ul style="list-style-type: none"> <li>Reduce the amount of secondary air and airwash with the control lever. Refer to section <a href="#">6.3.4</a></li> <li>Contact your installer.</li> </ul>
The temperature of the room does not rise sufficient	The fuel amount is too low	Use the recommended amount of fuel. Refer to section <a href="#">5.2</a> .
	The chimney draught is too high	Contact your installer.
Excessive smoke escapes when the door of the combustion chamber is open	The chimney draught is too low	<ul style="list-style-type: none"> <li>Do the recommended ignition procedure. Refer to section <a href="#">6.3.1</a>.</li> <li>Contact your installer.</li> </ul>

Problem	Possible cause	Possible solution
The glass becomes black	The combustion chamber is not hot enough	<ul style="list-style-type: none"> <li>• Use the recommended amount of fuel. Refer to section 5.2.</li> <li>• Increase the amount of combustion air with the control lever. Refer to section 6.3.4.</li> <li>• Put the wood logs diagonally and as wide as possible on the combustion chamber floor.</li> </ul>
	The moisture content of the wood logs is too high	<ul style="list-style-type: none"> <li>• Use dried wood logs with a moisture content of 10 - 20 %.</li> <li>• Use wood briquettes</li> </ul>
	The seal around the door is damaged	Contact your dealer.
Some cold air flows out from the front of the appliance when the appliance is not in use.	The valve in the external combustion air supply line is missing or is open.	Close the valve in the external combustion air supply line.
	The underpressure in the installation room is too high	Reduce the underpressure, for example by opening a ventilation opening in the installation room.

## 9 Information on disposal of the appliance

- Dispose of an obsolete appliance according to instructions of the authorities or the installer.
- The information in this section is informative. Always obey the national and local regulations on recycling and disposal of the appliance or parts of the appliance.
- Before disassembly and disposal of the appliance, remove ashes and unburnt fuel from the appliance. Dispose ashes as rest waste. Do not dispose ashes as organic waste.

Appliance component	Material	Disassembly	Recycling / Disposal
Combustion chamber (walls)	Cast iron	Refer to the Installation Manual	Dispose as metal waste
Combustion chamber (walls and baffle)	Vermiculite	Refer to the Installation Manual	Vermiculite in contact with combustion gases cannot be re-used or recycled. Dispose as rest waste.
Combustion chamber (walls and baffle)	Heat resistant ceramic	Refer to the Installation Manual	Ceramic in contact with combustion gases cannot be re-used or recycled. Dispose as rest waste.
Combustion chamber (grate and bottom)	Steel	Refer to the Installation Manual	Dispose as metal waste
Combustion chamber (Heat shield)	Steel	Refer to the Installation Manual	Dispose as metal waste
Glass	Ceramic glass	Remove glass holder with suitable tools. Remove gaskets and cord from the glass	Dispose as rest waste or ceramic waste. Do not dispose as glass waste.
Appliance body	Steel	Make sure to remove all components other than metal	Dispose as metal waste
Ash tray	Steel	Remove from appliance	Dispose as metal waste
Gaskets	Glass fibre cord or plates	Remove from appliance and components	Dispose as glass fibre (non-flammable waste)
Stone base	Natural stone	Remove from appliance	Dispose as building construction waste (stone)


## 10 Technical data

### 10.1 Technical data

Name	Barbas				
Model		BOX 35-40-85	BOX 35-40-70	BOX 40-40-85	BOX 40-40-70
EPREL registration number	2037687	2072565	2075857	2110567	2110577
Tested in accordance with	EN 13240:2001-A2:2004 EN 16510-1 annex D, E, F BS 3841-2:1994				
Energy efficiency index (according EU 2015/1186)	106				
Energy efficiency class	A				
Fuel	Wood logs Wood briquettes (without binder)				
Nominal fuel load	1.2 kg				
Nominal heat output (net)	5.3 kW				
Useful efficiency (Net Calorific Value (NCV)) at nominal heat output	≥ 75 %				
Minimum fuel load	0.8 kg				
Minimum heat output (net)	3.7 kW				
Useful efficiency (Net Calorific Value (NCV)) at minimum heat output (indicative)	≥ 75 %				
Seasonal efficiency	70 %				
Indirect heating function	No				
Room sealed	No				
Leak rate at 10 Pa	Not applicable				
The specific precautions that shall be taken when the local space heater is assembled, installed or maintained, are listed in the attached documents:	Installation and maintenance manual User manual				

## 10.2

## Product information according regulation (EU) 2015/1185

Model identifier		BOX 35-40-105								
Equivalent models		BOX 35-40-85; BOX 35-40-70; BOX 40-40-85; BOX 40-40-70								
Indirect heating function		No								
Direct heat output		5.3 kW								
Indirect heat output		- kW								
Fuel	Preferred fuel (only one)	Other suitable fuel(s)	Emissions at nominal heat output (*) [mg/Nm <sup>3</sup> (13 % O <sub>2</sub> )]				Emissions at minimum heat output (**)(**) [mg/Nm <sup>3</sup> (13 % O <sub>2</sub> )]			
			PM	OGC	CO	NO <sub>x</sub>	PM	OGC	CO	NO <sub>x</sub>
Wood logs, moisture content < 25 %	yes	no	≤ 40	≤ 120	≤ 1500	≤ 200	N.A.	N.A.	N.A.	N.A.
Compressed wood, moisture content < 12 %	no	no								
Other woody biomass	no	no								
Non-woody biomass	no	no								
Anthracite and dry steam coal	no	no								
Hard coke	no	no								
Low temperature coke	no	no								
Bituminous coal	no	no								
Lignite briquettes	no	no								
Peat briquettes	no	no								
Blended fossil fuel briquettes	no	no								
Other fossil fuel	no	no								
Blended biomass and fossil fuel briquettes	no	no								
Other blend of biomass and solid fuel	no	no								
<b>Characteristics when operating with the preferred fuel</b>										
Seasonal space heating efficiency η <sub>s</sub> [%]		70								
Energy efficiency index (EEI)		106								
Item	Symbol	Value	Unit	Item	Symbol	Value	Unit			
<b>Heat output</b>				<b>Useful efficiency (NCV as received)</b>						
Nominal heat output	P <sub>nom</sub>	5.3	kW	Useful efficiency at nominal heat output	η <sub>th, nom</sub>	80.1	%			
Minimum heat output (indicative)	P <sub>min</sub>	3.7	kW	Useful efficiency at minimum heat output (indicative)	η <sub>th, min</sub>	78.7	%			
<b>Auxiliary power consumption</b>				<b>Type of heat output/room temperature control (select one)</b>						
At nominal heat output	e <sub>l, max</sub>	N.A.	kW	Single-stage heat output, no room temperature control				yes		
At minimum heat output	e <sub>l, min</sub>	N.A.	kW	Two or more manual stages, no room temperature control				no		
In standby mode	e <sub>l, sb</sub>	N.A.	kW	With mechanic thermostat room temperature control				no		
<b>Permanent pilot flame power requirement</b>				With electronic room temperature control						
<b>Pilot flame power requirement (if applicable)</b>				With electronic room temperature control plus day timer						
				With electronic room temperature control plus week timer						
				<b>Other control options (multiple selection possible)</b>						
				Room temperature control, with presence detection						
				Room temperature control, with open window detection						
				With distance control option						
Contact details		Barbas Bellfires BV Hallenstraat 17 5531 AB BLADEL The Netherlands				www.barbas.com				
(*) PM = particulate matter, OGC = organic gaseous compounds, CO = carbon monoxide, NO <sub>x</sub> = nitrogen oxides (**) Only required if correction factors F(2) or F(3) are applied.										
Signed for and on behalf of the manufacturer by: Danny Baijens, CEO										
Bladel;		21 August 2024								

## 11 Warranty Terms

To make a claim under the warranty, it is important to register the Barbas appliance after purchase via [www.barbasbellfires.com](http://www.barbasbellfires.com).

### **Barbas Bellfires Warranty Terms**

Barbas Bellfires B.V. guarantees the quality of the supplied Barbas appliance and the quality of the materials used. All Barbas appliances are developed and manufactured according to the highest possible quality standards. If, despite all this, something should prove amiss with the Barbas appliance you have purchased, Barbas Bellfires B.V. offers the following manufacturer's warranty.

#### **Article 1: Warranty**

1. If Barbas Bellfires B.V. determines that the Barbas appliance you have purchased is defective as a result of a flaw in the construction or material, Barbas Bellfires B.V. guarantees to repair or replace the appliance free of charge, without charging any costs for labor or spare parts.
2. Repair or replacement of the Barbas appliance will be undertaken by Barbas Bellfires B.V. or by a Barbas dealer as designated by Barbas Bellfires B.V.
3. This warranty is supplementary to the existing legal national warranty of Barbas dealers and Barbas Bellfires B.V. in the country of purchase and is not intended to restrict your rights and claims based on the applicable legal provisions.

#### **Article 2: Warranty conditions**

1. Should you wish to claim under the warranty, please contact your Barbas dealer.
2. Complaints should be reported as quickly as possible after they have manifested themselves.
3. Complaints will only be accepted if they are reported to the Barbas dealer, together with the serial number of the Barbas appliance which is stated on the enclosed documents.
4. In addition, the original receipt (invoice, receipt, cash receipt) showing the date of purchase must also be submitted.
5. Repairs and replacements during the warranty period do not give any entitlement to an extension of the warranty period. After a repair or replacement of warranty parts, the warranty period shall be deemed to have started on the date of purchasing the Barbas appliance.
6. If a certain part is eligible for the warranty and the original part is no longer available, Barbas Bellfires B.V. shall ensure that an alternative part of at least the same quality shall be provided.

#### **Article 3: Warranty exclusions**

1. The warranty on the Barbas appliance ceases to be in effect if:
  - a. it is not installed according to the installation instructions, and to national and/or local regulations;
  - b. it has been installed, connected or repaired by a non-Barbas dealer;
  - c. it has not be used or maintained according to the instructions for use;

- d. it has been changed, neglected or roughly treated;
- e. it has been damaged as a result of external causes (outside the appliance itself), for example, lightning strike, water damage or fire;
2. In addition, the warranty lapses if the original purchase receipt shows any change, deletion, removal or if it is illegible.

#### **Article 4: Warranty area**

1. The warranty is only valid in those countries where Barbas appliances are sold through an official dealer network.

#### **Article 5: Warranty period**

1. This warranty will only be granted during the warranty period.
2. The body of the Barbas appliance is guaranteed for a period of 10 years against construction and/or material faults, starting from the moment of purchase.
3. For other parts of the Barbas appliance, a similar warranty applies from the moment of purchase for a period of two years.
4. For user parts such as glass, glass sealing cord and the interior of the combustion chamber, a similar guarantee is given until after the first burning.

#### **Article 6: Liability**

1. A claim granted by Barbas Bellfires B.V. under this warranty does not automatically imply that Barbas Bellfires B.V. also accepts liability for any possible damage. The liability of Barbas Bellfires B.V. never extends further than that stated in these warranty conditions. Any liability of Barbas Bellfires B.V. for consequential damage is expressly excluded.
2. That stated in this provision is not valid if and to the extent that it derives from a mandatory provision.
3. All agreements entered into by Barbas Bellfires B.V. are, unless specifically stated otherwise in writing and to the extent that they are permitted based on applicable law, subject to the FME-CWM general sales and delivery conditions for the technology industry.

Barbas Bellfires B.V.  
Hallenstraat 175531 AB Bladel  
The Netherlands  
Tel: +31-497339200  
Email: [info@Barbas.com](mailto:info@Barbas.com)

Carefully retain the enclosed documents; they show the serial number of the appliance. You will need this if you wish to claim under the warranty.

# barbas .

Your Barbas dealer