

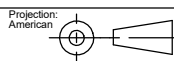
\* = optional flue gas outlet  $\varnothing 130$  mm  
 \*\* = optional air inlet  $\varnothing 80$  mm

**barbas**

Barbas Bellfires B.V.  
 Hallenstraat 17  
 5531 AB Bladel  
 The Netherlands  
 www.barbasbellfires.com

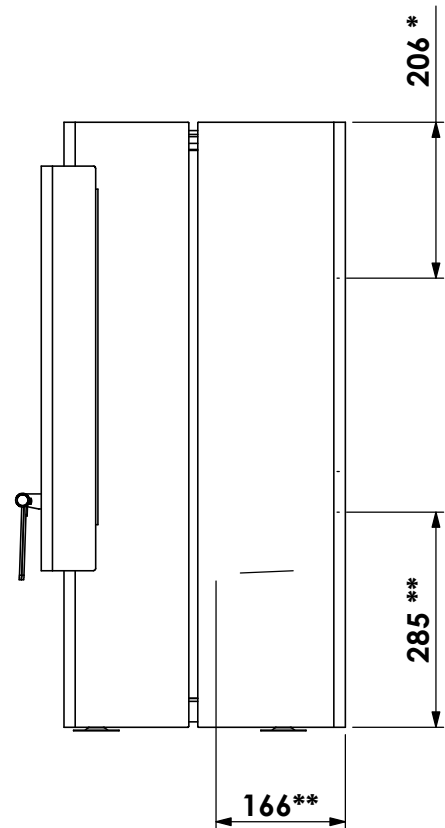
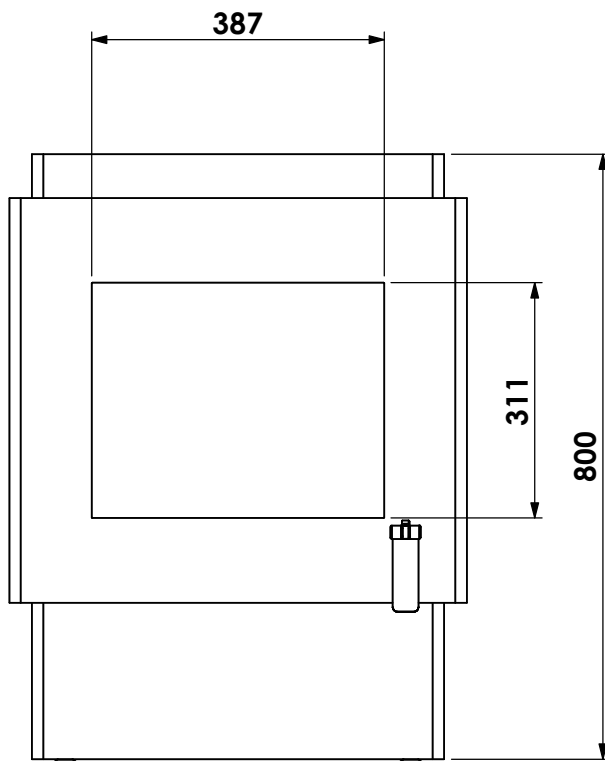
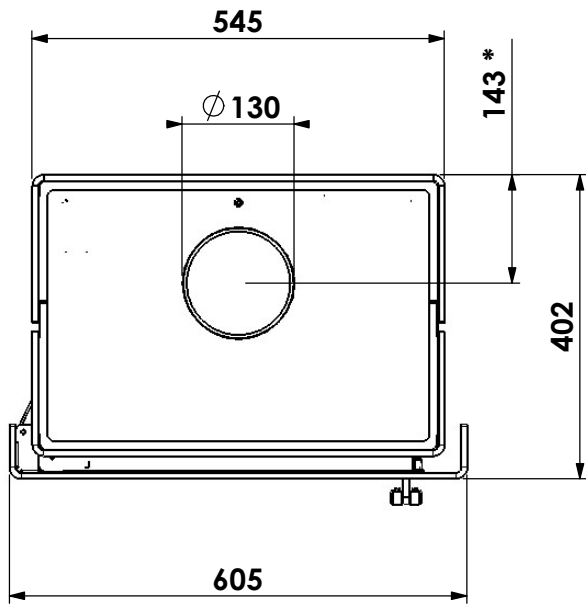
Name: **BOX 40-52-80**

Modifications reserved



Scale: 1:10  
 Unit: mm

Version: 0



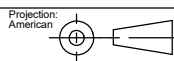
\* = optional flue gas outlet  $\varnothing$  130 mm  
 \*\* = optional air inlet  $\varnothing$  80 mm

**barbas**

Barbas Bellfires B.V.  
 Hallenstraat 17  
 5531 AB Bladel  
 The Netherlands  
 www.barbasbellfires.com

Name: **BOX 40-52-80**

Modifications reserved



Scale: 1:10  
 Unit: mm

Version: 0